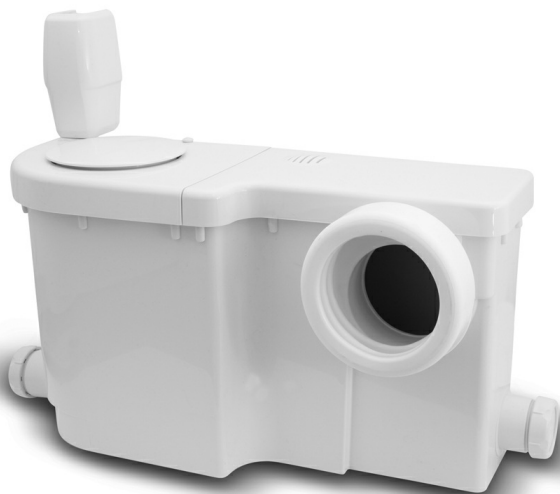


T-503 - Sanitary macerator CICLON FIT3



Code	Dimensions	Charac.	u./box
075501	----	White	1



5m ↑
5 m



WC CONNECTION



BASIN CONNECTION



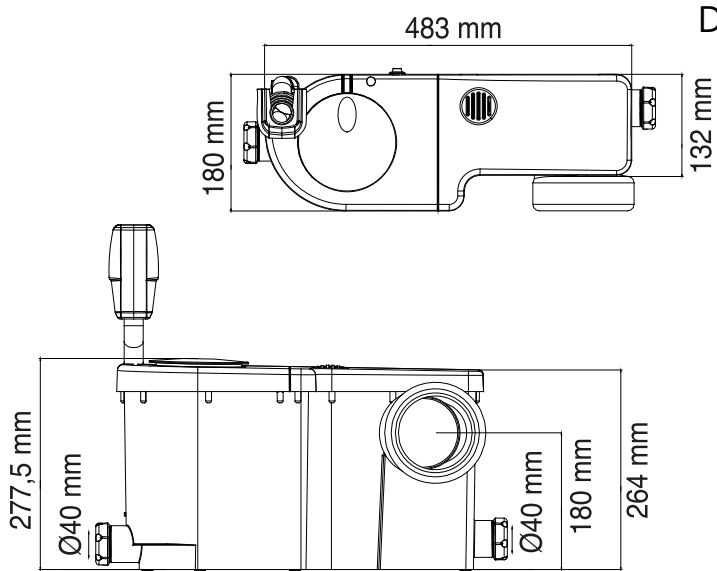
BIDE CONNECTION



SHOWER CONNECTION

WC macerators with WC inlet and auxiliary inlets (Ø40mm). Vertical outlet 32 mm solvent socket. Equipped with non return valve. Easy maintenance Cassette system. Quiet. 1 WC inlet . 2 lateral inlets (Ø40mm). Motor: 470 W. Pumps up to 5 m vertical run or 52 m horizontal run.

Dimensions



Documentation



Manuals



Price lists



Certificates



BIM Files



T-503 - Sanitary macerator CICLON FIT3

T-503 - Sanitary macerator CICLON FIT3

For additional info, please visit <https://www.jimten.com/en/producto/3556/sanitary-macerator-ciclon-fit3/>

