

Technical Data Sheet

Astro PFP FR Putty Cord

Revision 4 - 8th February 2024





> Technical Data	General Product Description, Guide, Installation & Test Standards	> Page 1
> Technical Data	Blank seals in floors	> Page 2
> Technical Data	Cables in floors	> Page 2-3
> Technical Data	Steel pipes in floors	> Page 3-5
> Technical Data	Copper pipes in floors	> Page 5-6
> Technical Data	Alupex pipes in floors	> Page 6-7
> Technical Data	Steel pipes in masonry or concrete walls	> Page 8
> Technical Data	Copper pipes in masonry or concrete walls	> Page 8
> Technical Data	Alupex pipes in masonry or concrete walls	> Page 8
> Technical Data	Blank seals in drywalls, masonry or concrete walls	> Page 8
> Technical Data	Cables in drywalls, masonry or concrete walls	> Page 9
> Technical Data	Steel pipes in drywalls, masonry or concrete walls	> Page 9-10
> Technical Data	Copper pipes in drywalls, masonry or concrete walls	> Page 10-11
> Technical Data	Alupex pipes in drywalls, masonry or concrete walls	> Page 11-12
> Technical Data	Plastic pipes in drywalls, masonry or concrete walls	> Page 12

General Product Description

Astro PFP FR Putty Cord is an easy to apply fire rated putty supplied as a non-setting cord. The cord is hand workable, re-useable and re-serviceable due to its non-setting properties.

The putty cord is designed to be easily fitted around service penetrations where the gap around the services is very small, or there is no gaps at all so a conventional fire rated sealant is impossible or difficult to fit due to the required depth and backing material. The putty cords are fitted covering the gap around the services and do not need to fill the gap to the required depth. Fitting the putty cords will reinstate the fire rating of the partition and prevent the passage of smoke and flames in a fire, and sound and air movement during service life.

Astro PFP FR Putty Cords are supplied in strips with a round cross-section and are easy to fit with your thumbs; no tools are needed.

General Guide

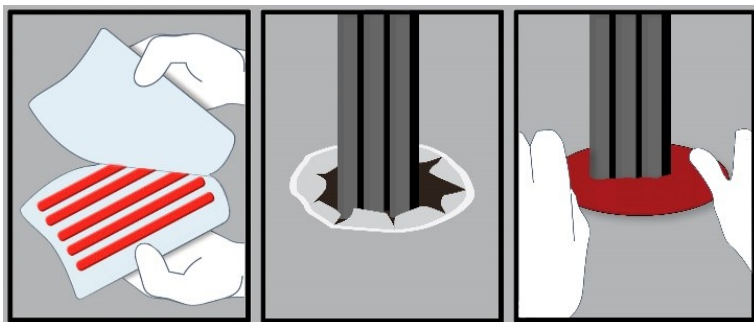
Minimum separations and limitations: Services can be sealed as specified in the detailed drawings. The product may be used to seal gaps between 0mm and 10mm surrounding services which may be angled between 90° and 45° in all directions. Minimum separation between apertures should be at least 30mm. For larger joint dimensions or apertures other than described in the detailed drawings, Astro PFP FR Acrylic, Astro PFP FR Board or Astro PFP FR EX Mortar should be used. In areas with a high degree of humidity and/or in joints with excessive movement Astro PFP FR Board should be used.

Supporting constructions: Flexible walls must have a minimum thickness of 100mm and comprise steel studs or timber studs*) lined on both faces with minimum 2 layers of 12.5mm thick boards. Rigid walls must have a minimum thickness of 100mm and comprise concrete, aerated concrete or masonry, with a minimum density of 350kg/m³. Rigid floors must have a minimum thickness of 150mm and comprise aerated concrete or concrete with a minimum density of 350kg/m³. The supporting construction must be classified in accordance with EN 13501-2 for the required fire resistance period.

*) Timber studs: no part of the penetration seal may be closer than 100mm to a stud, and minimum 100mm of insulation of class A1 or A2 must be provided within the cavity between the penetration seal and the stud.

Installation

1. Before installing Astro PFP FR Putty Cord ensure that the surface of all service penetrations and surrounding construction is wiped clean, dry, free from all loose contaminants, dust, oils and grease.
2. To aid adhesion to porous substrates take a thumb size piece of the putty cord and gently rub over the required installation mounting area (especially important in soffit applications).
3. Where Astro PFP FR Putty Cord is to be installed against surfaces that cannot tolerate direct contact; appropriate surface preparation should be made (contact Polyseam for guidance in these cases). For paints sensitive to sealing compounds, priming with a PVA primer is recommended.
4. As Astro PFP FR Putty Cord is silicone based, in cases where corrosion protection is a problem; some metals may require a barrier between the putty and the metal surface prior to this installation.
5. When installing Astro PFP FR Putty Cord in hollow floor slabs or boards, fire seals should be installed from the soffit side of the floor assuming this product certification covers the application. Where this is not the case and only top-sided applications are approved, simply fire seal on both sides.
6. Place the Putty Cord around the services so that it seals the services to the wall or floor all the way round.
7. Press the Putty Cord into the wall or floor and services with your thumbs to form a fillet or V shape joint, ensuring good contact is made all the way round the services and the wall or floor.



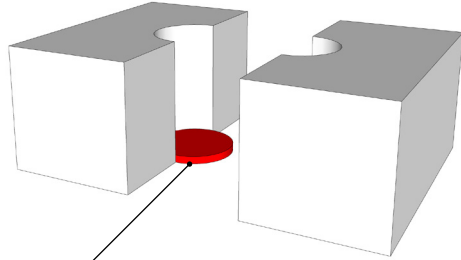
Test Standards

This Installation Instructions and the Technical Data Sheet are based on the product's European Technical Assessment issued in accordance with regulation (EU) No 305/2011 on the basis of EAD 350454-00-1104, September 2017, tested to EN 1366-3 & -12 in conjunction with EN 1363-1. The product hold the following approval marks; CE-mark for Europe.

BLANK SEAL FIRE RESISTANCE EI 30 (E 120)

RIGID FLOORS

Maximum aperture
Ø15mm

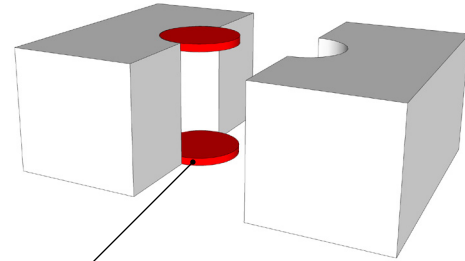


≥ 15mm deep Astro PFP
FR Putty Cord applied
flush on soffit side

BLANK SEAL FIRE RESISTANCE EI 120 (E 120)

RIGID FLOORS

Maximum aperture
Ø14mm

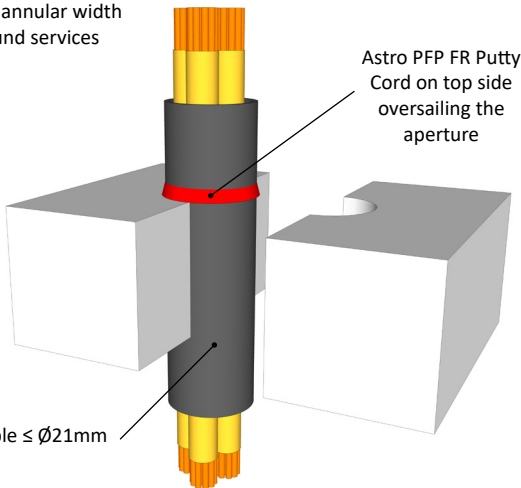


≥ 15mm deep Astro PFP
FR Putty Cord applied
flush on both sides

CABLES FIRE RESISTANCE EI 120 (E 120)

RIGID FLOORS

Apertures with less than
10mm annular width
around services



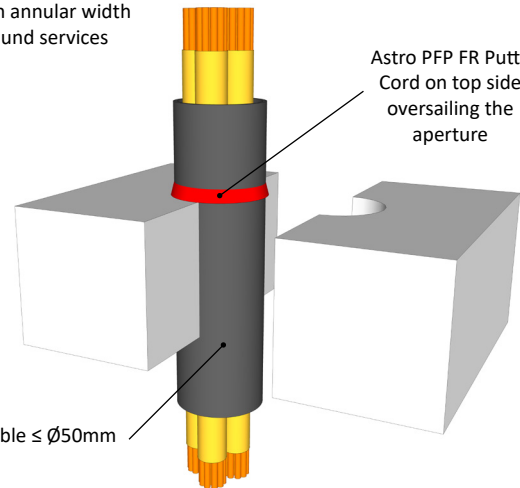
Astro PFP FR Putty
Cord on top side
oversailing the
aperture

Cable ≤ Ø21mm

CABLES FIRE RESISTANCE EI 90 (E 120)

RIGID FLOORS

Apertures with less than
10mm annular width
around services



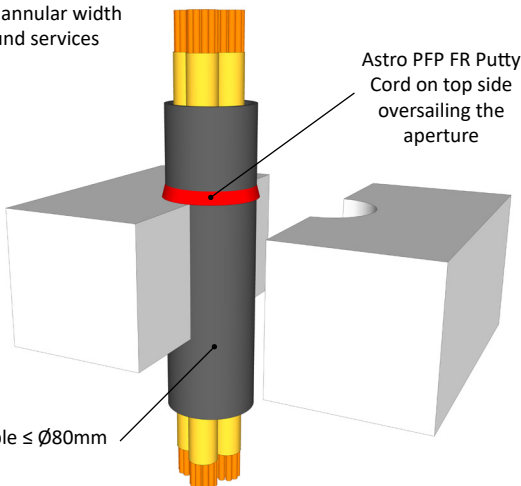
Astro PFP FR Putty
Cord on top side
oversailing the
aperture

Cable ≤ Ø50mm

CABLES FIRE RESISTANCE EI 60 (E 120)

RIGID FLOORS

Apertures with less than
10mm annular width
around services



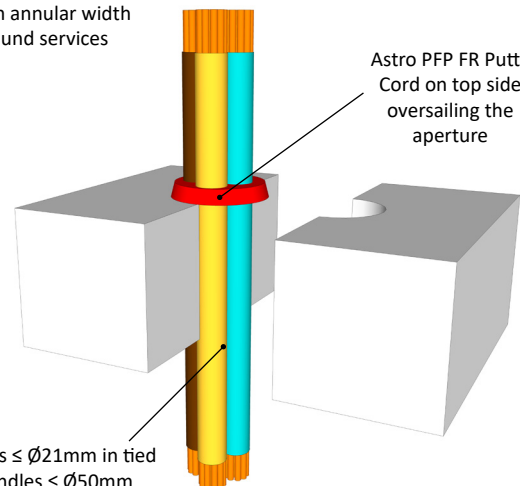
Astro PFP FR Putty
Cord on top side
oversailing the
aperture

Cable ≤ Ø80mm

CABLES FIRE RESISTANCE EI 60 (E 120)

RIGID FLOORS

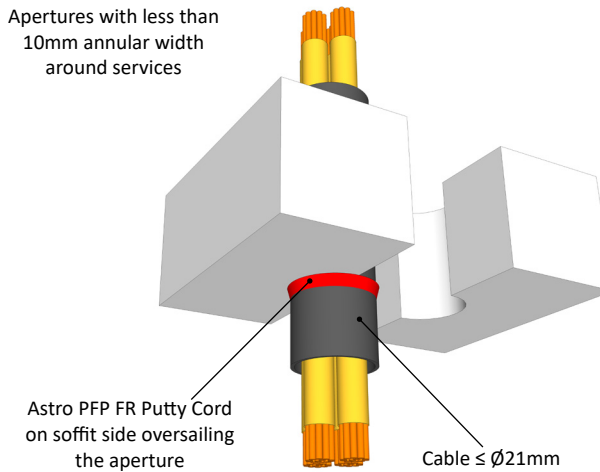
Apertures with less than
10mm annular width
around services



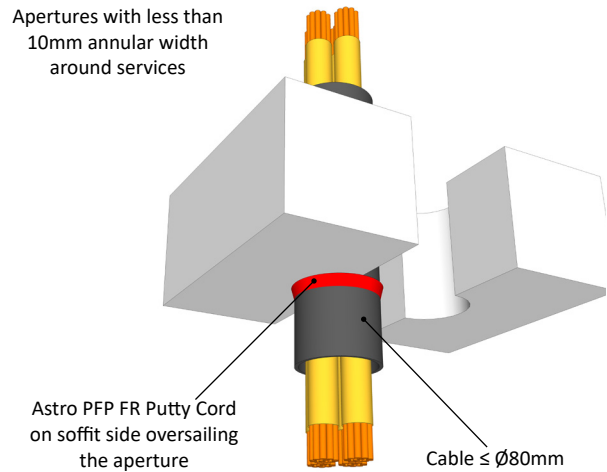
Astro PFP FR Putty
Cord on top side
oversailing the
aperture

Cables ≤ Ø21mm in tied
bundles ≤ Ø50mm

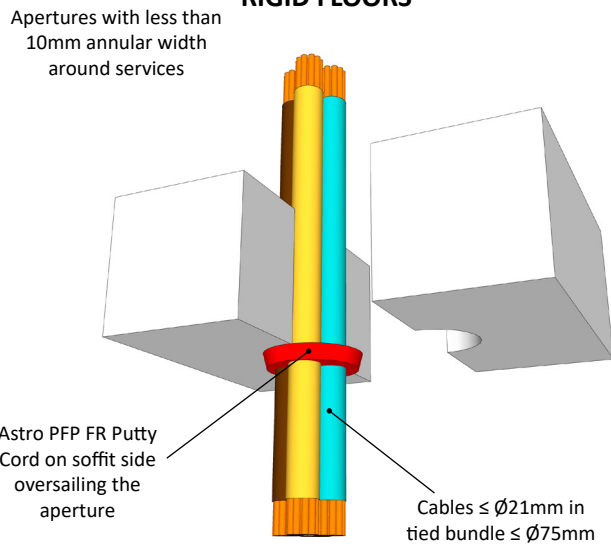
CABLES FIRE RESISTANCE EI 60 (E 120)
RIGID FLOORS



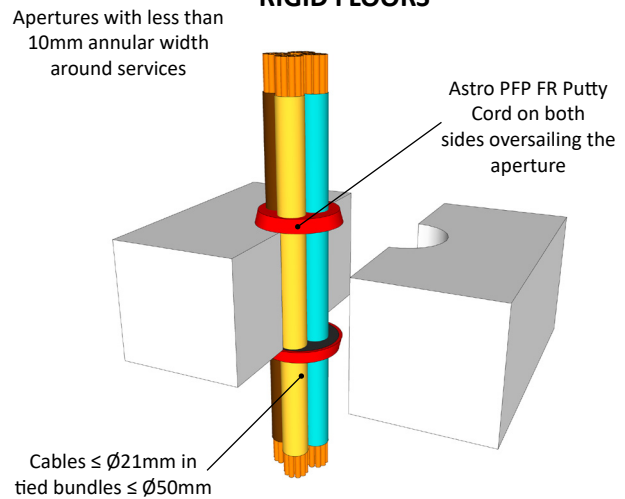
CABLE FIRE RESISTANCE EI 45 (E 90)
RIGID FLOORS



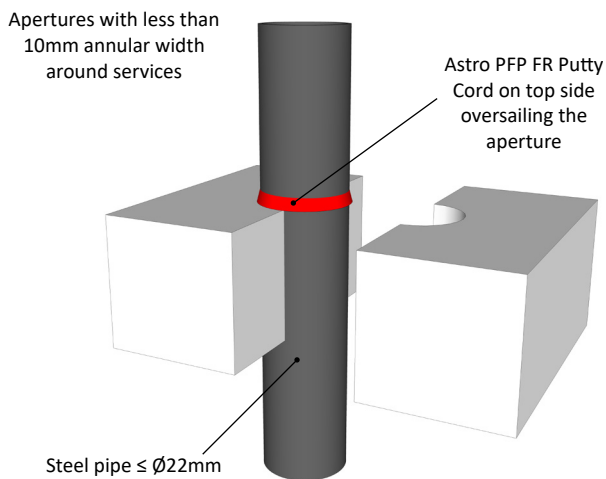
CABLES FIRE RESISTANCE EI 45 (E 60)
RIGID FLOORS



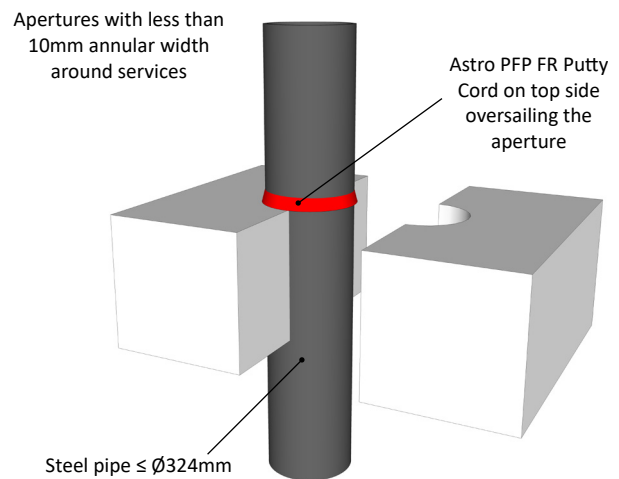
CABLES FIRE RESISTANCE EI 240 (E 240)
RIGID FLOORS



STEEL PIPE FIRE RESISTANCE EI 120 C/U (E 240)
RIGID FLOORS



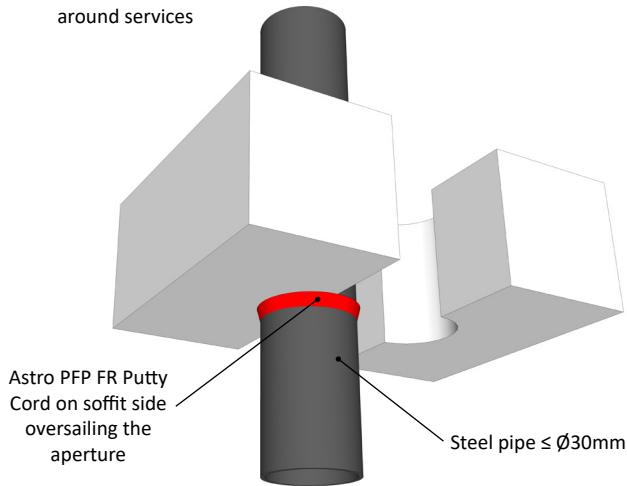
STEEL PIPE FIRE RESISTANCE EI 15 C/U (E 240)
RIGID FLOORS



STEEL PIPE FIRE RESISTANCE EI 45 C/U (E 120)

RIGID FLOORS

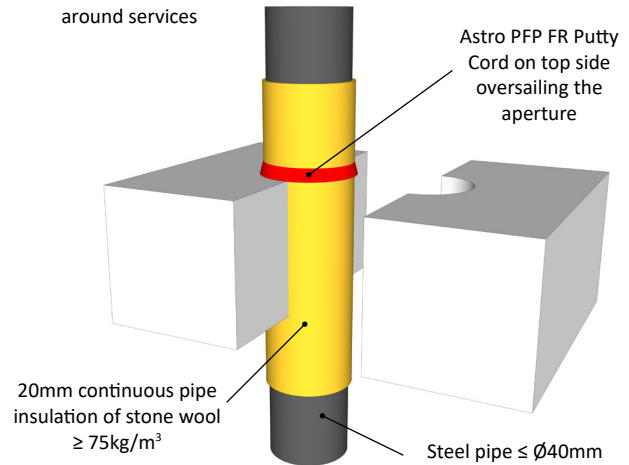
Apertures with less than 10mm annular width around services



STEEL PIPE FIRE RESISTANCE EI 120 C/U (E 180)

RIGID FLOORS

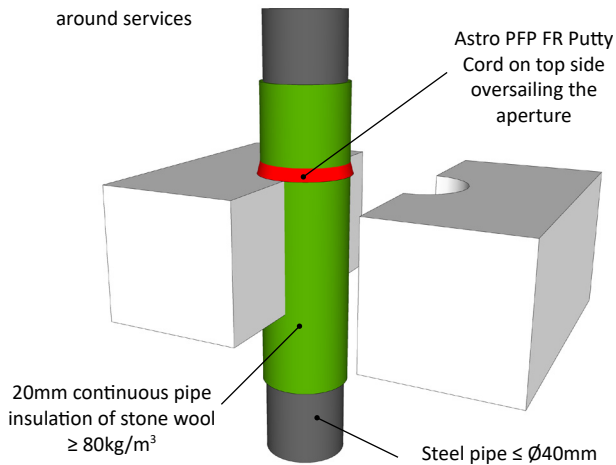
Apertures with less than 10mm annular width around services



STEEL PIPE FIRE RESISTANCE EI 240 C/U (E 240)

RIGID FLOORS

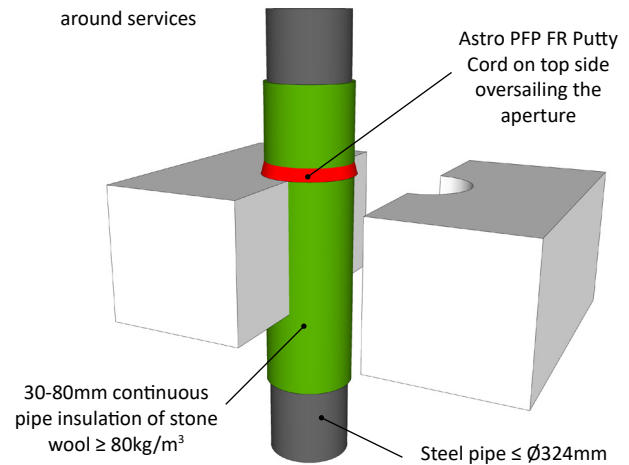
Apertures with less than 10mm annular width around services



STEEL PIPE FIRE RESISTANCE EI 240 C/U (E 240)

RIGID FLOORS

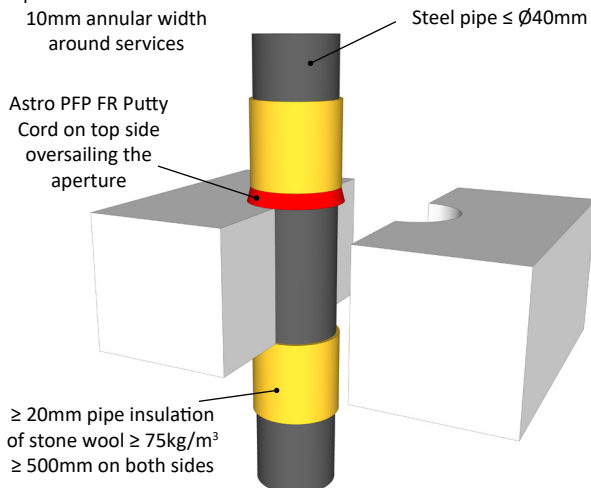
Apertures with less than 10mm annular width around services



STEEL PIPE FIRE RESISTANCE EI 180 C/U (E 180)

RIGID FLOORS

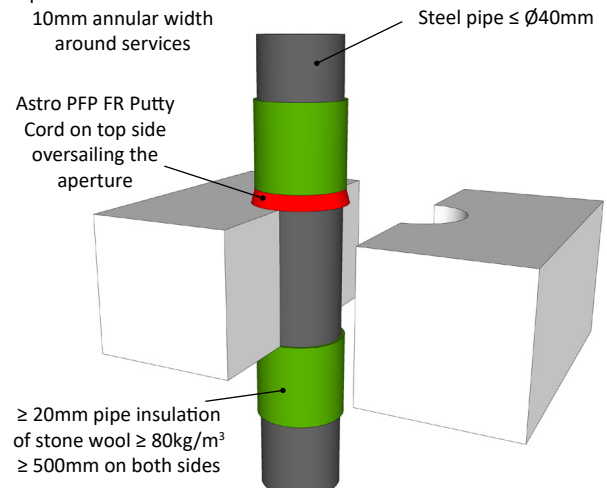
Apertures with less than 10mm annular width around services



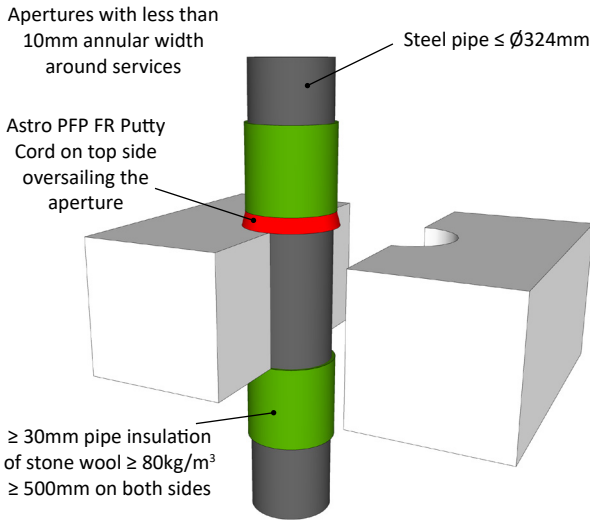
STEEL PIPE FIRE RESISTANCE EI 240 C/U (E 240)

RIGID FLOORS

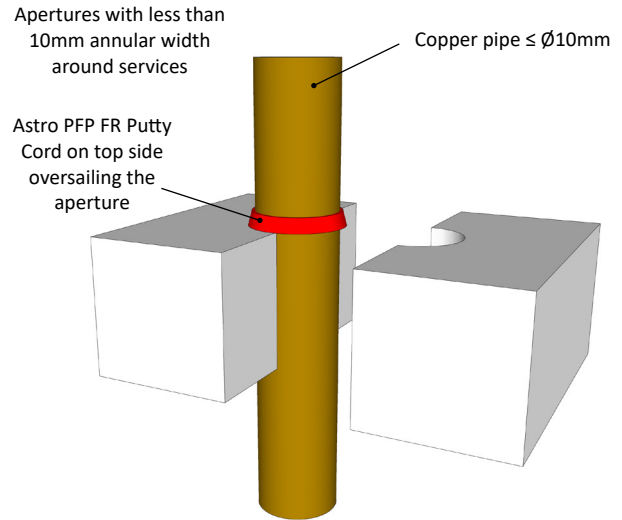
Apertures with less than 10mm annular width around services



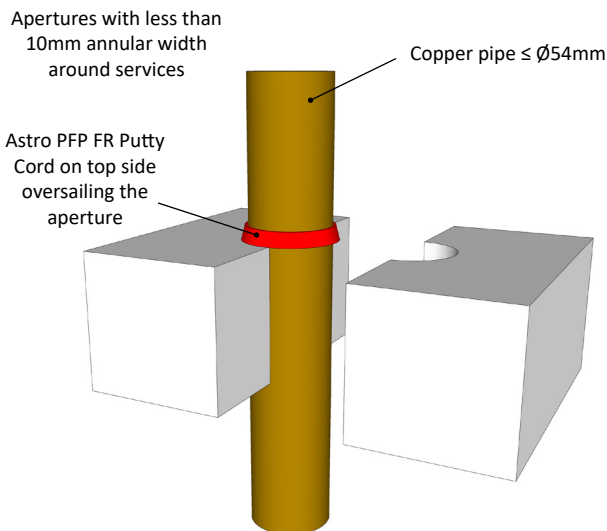
STEEL PIPE FIRE RESISTANCE EI 60 C/U (E 240)
RIGID FLOORS



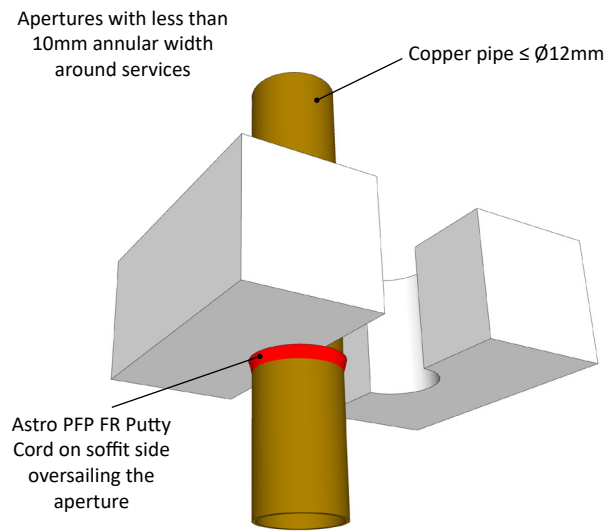
COPPER PIPE FIRE RESISTANCE EI 90 C/C (E 120)
RIGID FLOORS



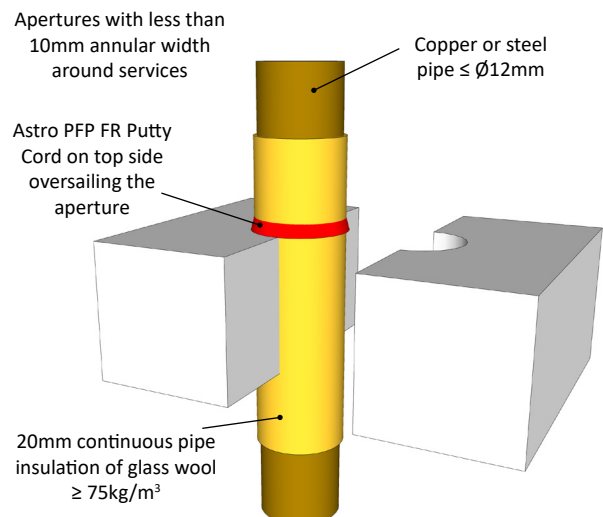
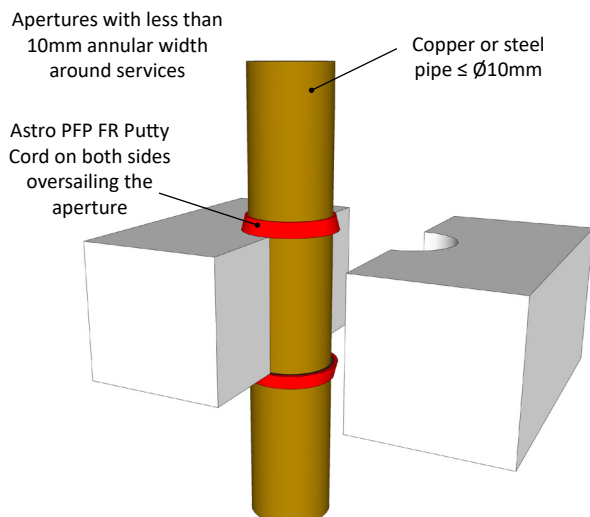
COPPER PIPE FIRE RESISTANCE E 120 C/C
RIGID FLOORS



COPPER PIPE FIRE RESISTANCE EI 30 C/C (E 120)
RIGID FLOORS

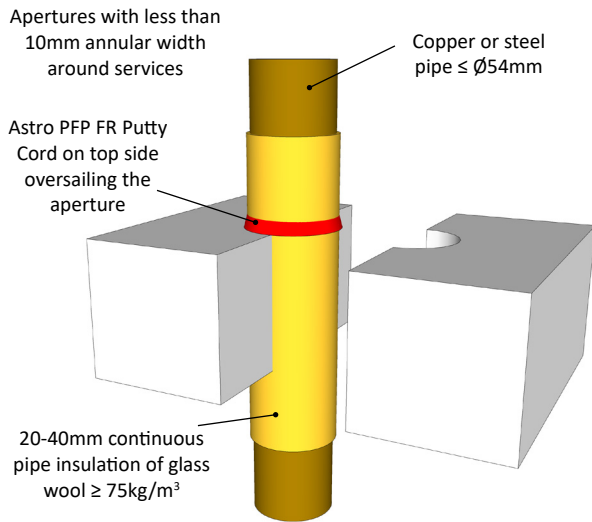


COPPER OR STEEL PIPE FIRE RESISTANCE EI 180 C/C (E 240) **COPPER OR STEEL PIPE FIRE RESISTANCE EI 90 C/C (E 240)**
RIGID FLOORS



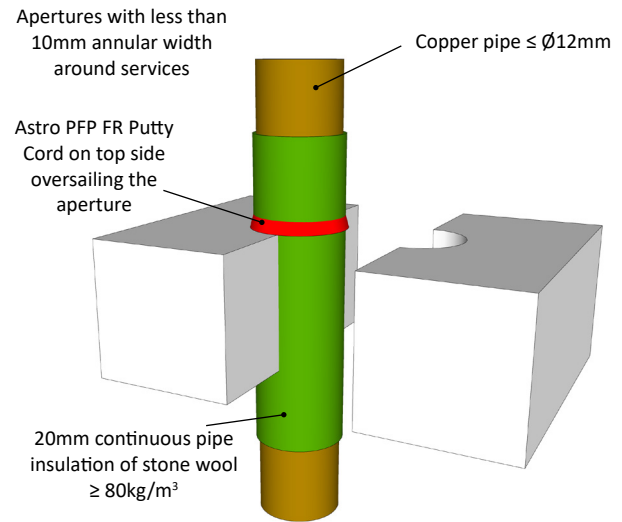
COPPER OR STEEL PIPE FIRE RESISTANCE EI 90 C/C (E 90)

RIGID FLOORS



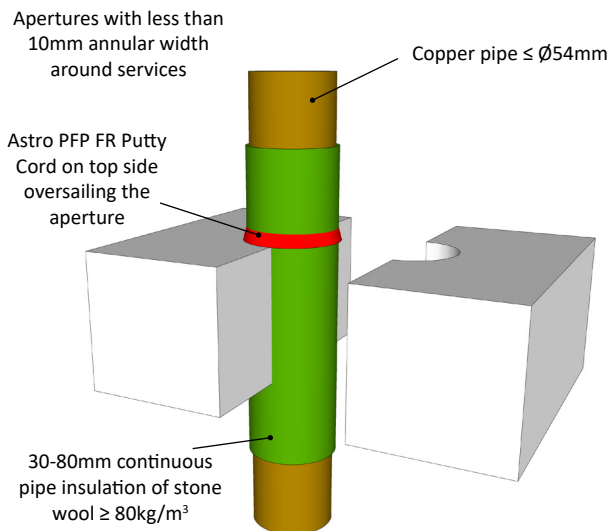
COPPER PIPE FIRE RESISTANCE EI 240 C/C (E 240)

RIGID FLOORS



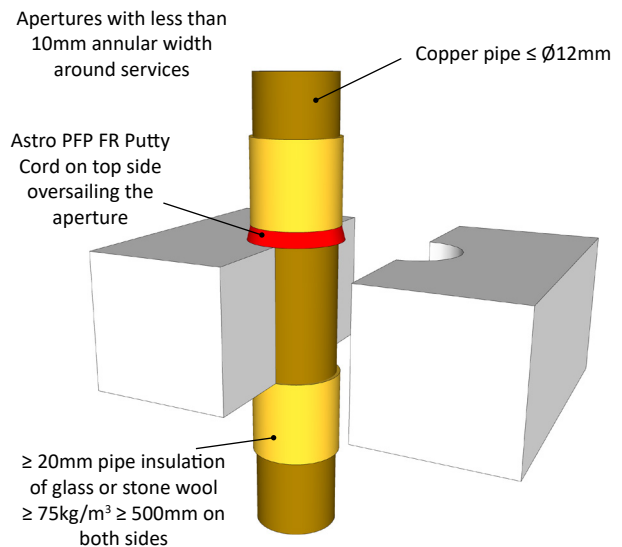
COPPER PIPE FIRE RESISTANCE EI 240 C/C (E 240)

RIGID FLOORS



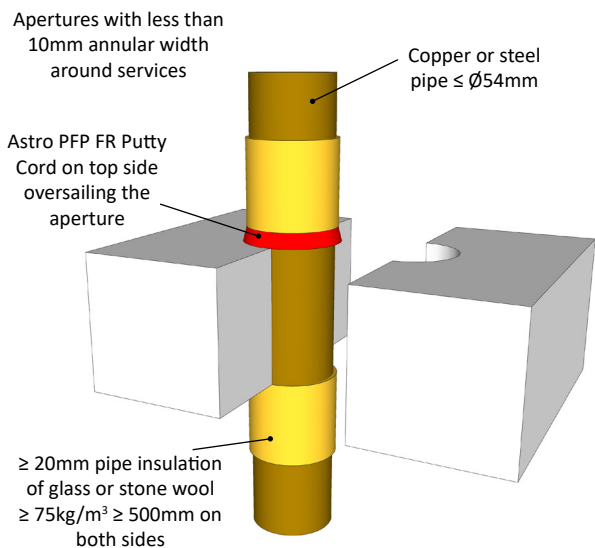
COPPER OR STEEL PIPE FIRE RESISTANCE EI 240 C/C (E 240)

RIGID FLOORS



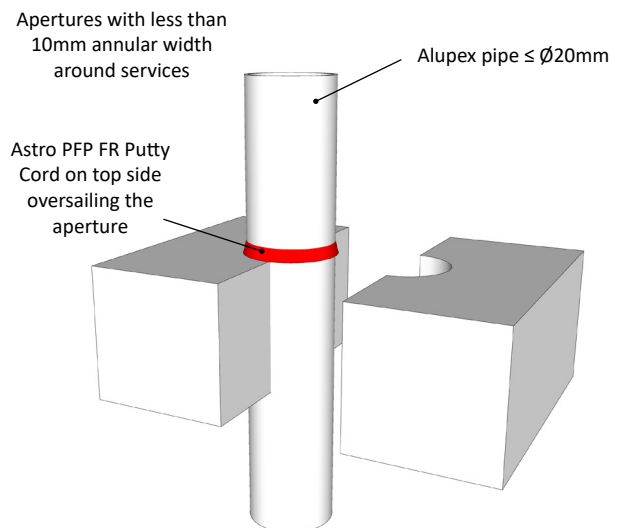
COPPER OR STEEL PIPE FIRE RESISTANCE EI 120 C/C (E 180)

RIGID FLOORS

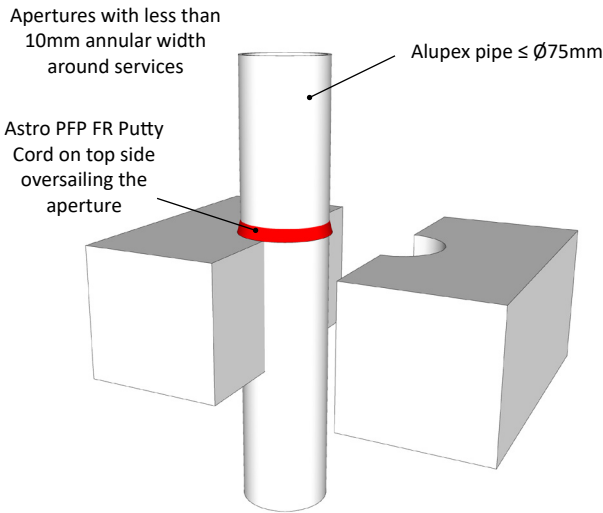


ALUPEX PIPE FIRE RESISTANCE EI 240 C/C (E 240)

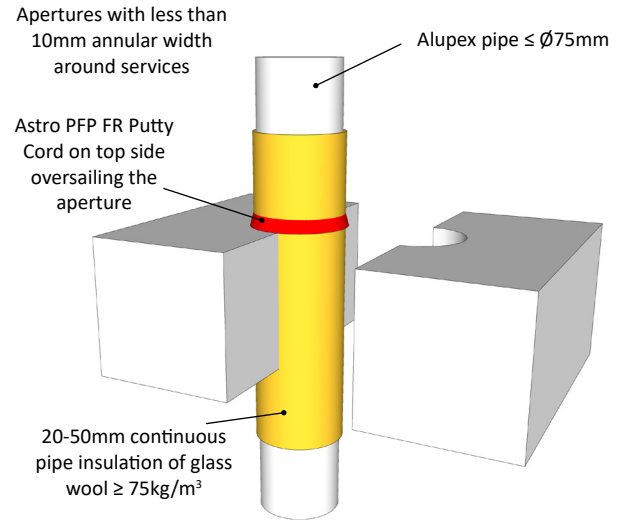
RIGID FLOORS



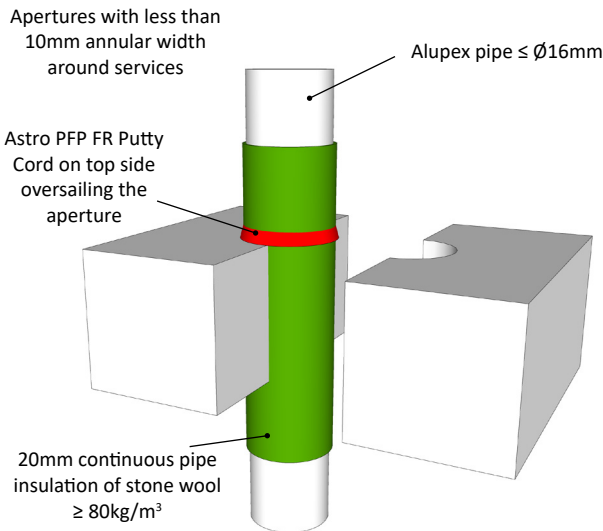
**ALUPEX PIPE FIRE RESISTANCE EI 30 C/C (E 45)
RIGID FLOORS**



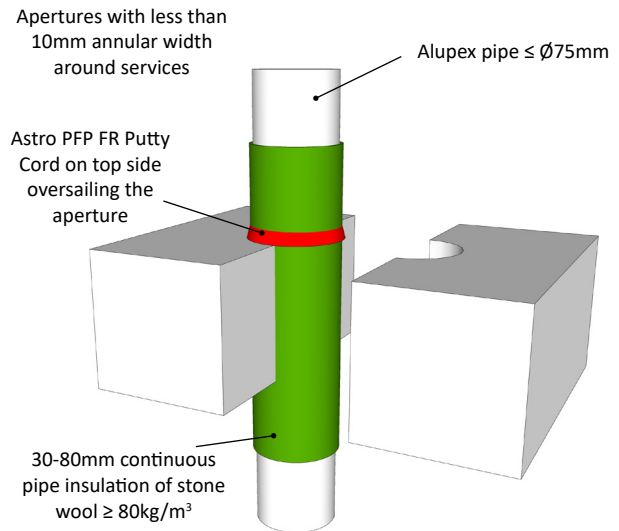
**ALUPEX PIPE FIRE RESISTANCE EI 120 C/C (E 120)
RIGID FLOORS**



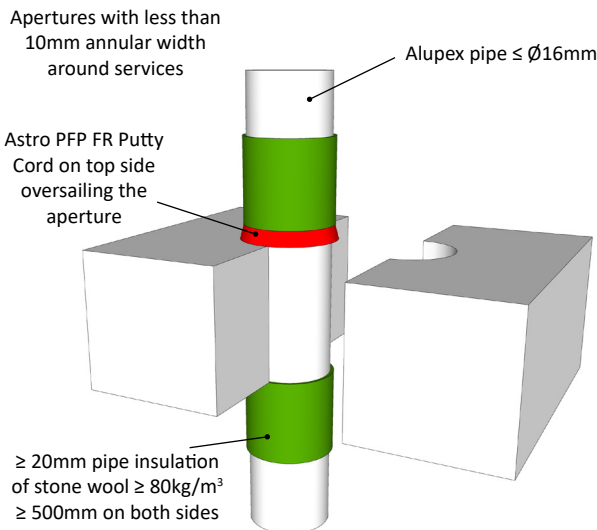
**ALUPEX PIPE FIRE RESISTANCE EI 240 C/C (E 240)
RIGID FLOORS**



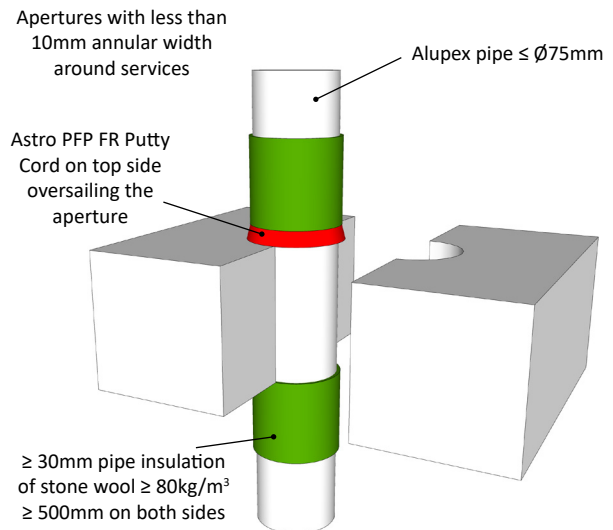
**ALUPEX PIPE FIRE RESISTANCE EI 240 C/C (E 240)
RIGID FLOORS**



**ALUPEX PIPE FIRE RESISTANCE EI 240 C/C (E 240)
RIGID FLOORS**

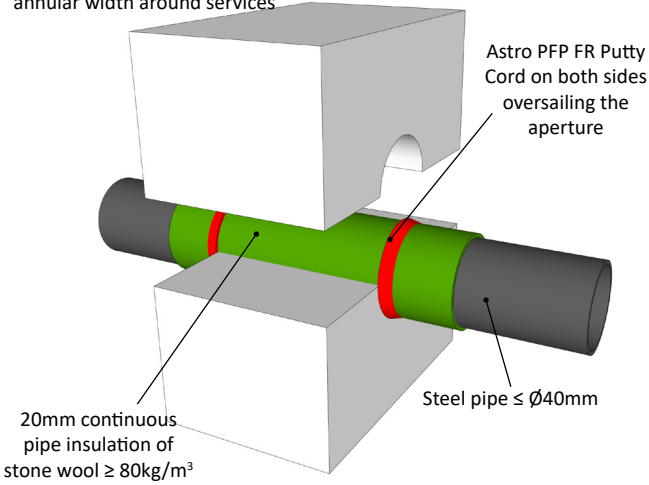


**ALUPEX PIPE FIRE RESISTANCE EI 240 C/C (E 240)
RIGID FLOORS**



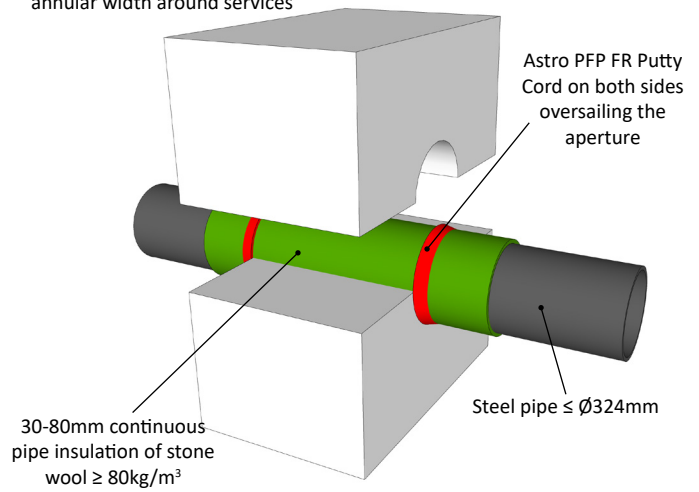
STEEL PIPE FIRE RESISTANCE EI 120 C/U (E 120)
MASONRY OR CONCRETE WALLS

Apertures with less than 10mm annular width around services



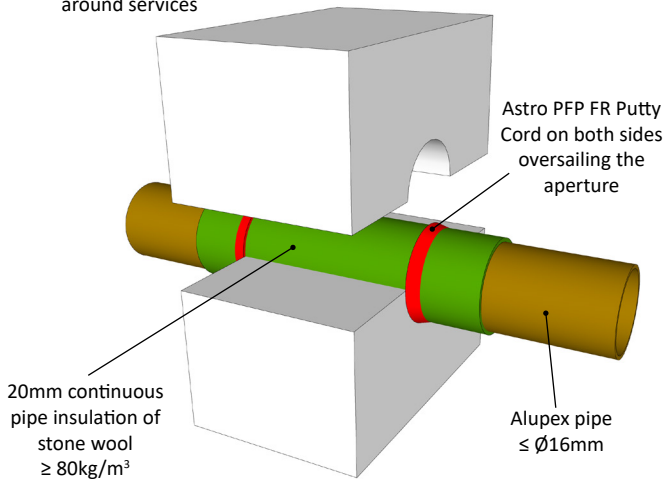
STEEL PIPE FIRE RESISTANCE EI 180 C/U (E 240)
MASONRY OR CONCRETE WALLS

Apertures with less than 10mm annular width around services



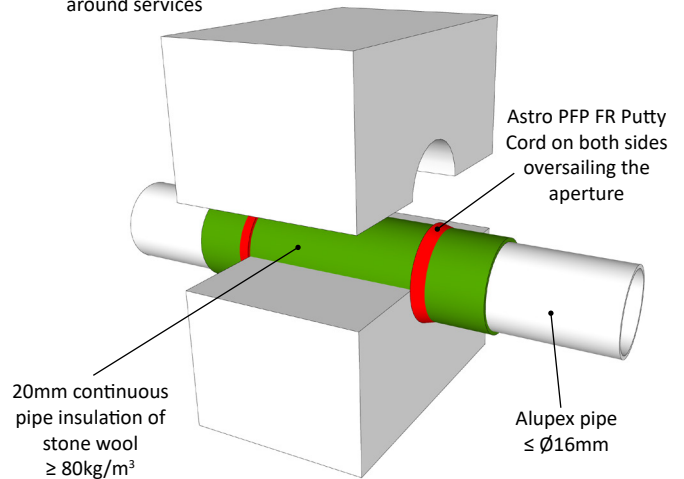
COPPER OR STEEL PIPE FIRE RESISTANCE EI 120 C/C (E 240)
MASONRY OR CONCRETE WALLS

Apertures with less than 10mm annular width around services



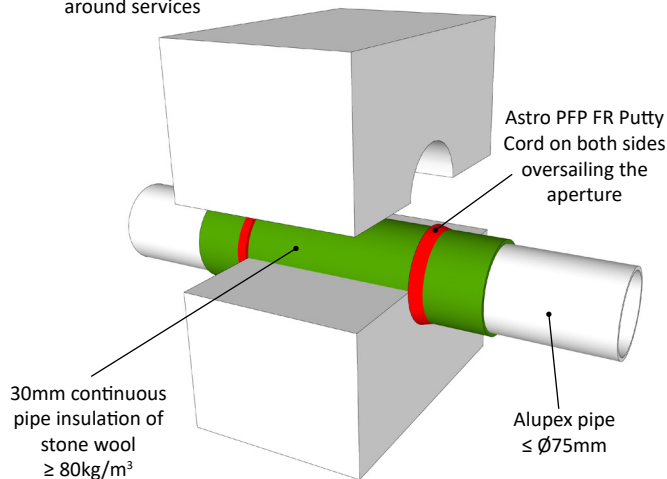
ALUPEX PIPE FIRE RESISTANCE EI 240 C/C (E 240)
MASONRY OR CONCRETE WALLS

Apertures with less than 10mm annular width around services



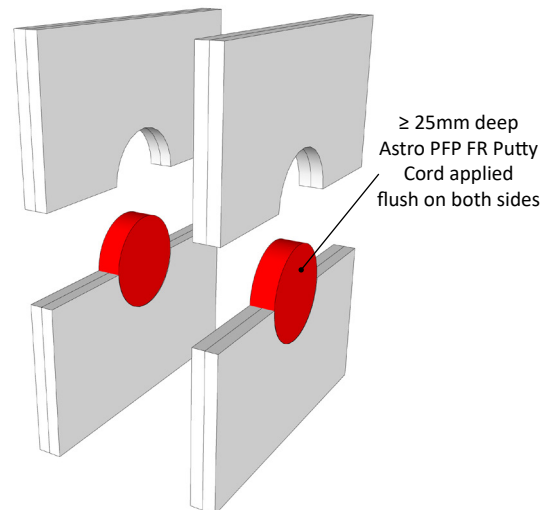
ALUPEX PIPE FIRE RESISTANCE EI 240 C/C (E 240)
MASONRY OR CONCRETE WALLS

Apertures with less than 10mm annular width around services



BLANK SEAL FIRE RESISTANCE EI 120 (E 120)
 $\geq 100\text{MM}$ DRYWALLS, MASONRY OR CONCRETE WALLS

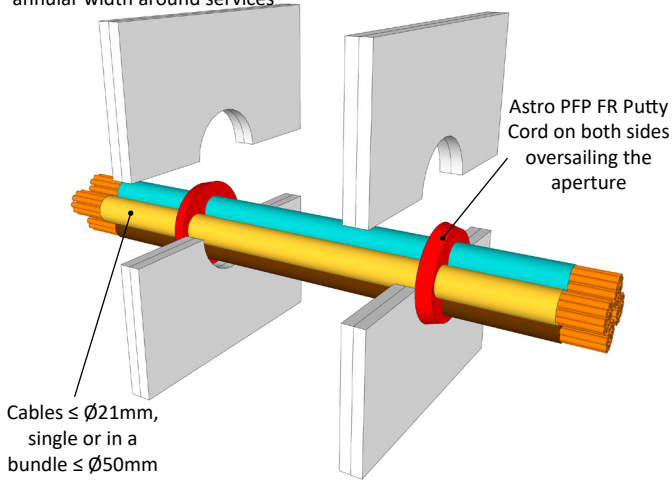
Maximum aperture $\text{Ø}14\text{mm}$



CABLES FIRE RESISTANCE EI 120 (E 120)

≥ 100MM DRYWALLS, MASONRY OR CONCRETE WALLS

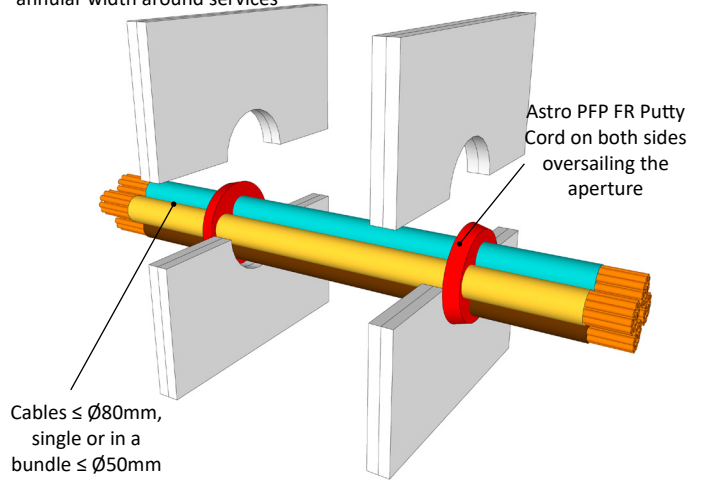
Apertures with less than 10mm annular width around services



CABLES FIRE RESISTANCE EI 60 (E 60)

≥ 100MM DRYWALLS, MASONRY OR CONCRETE WALLS

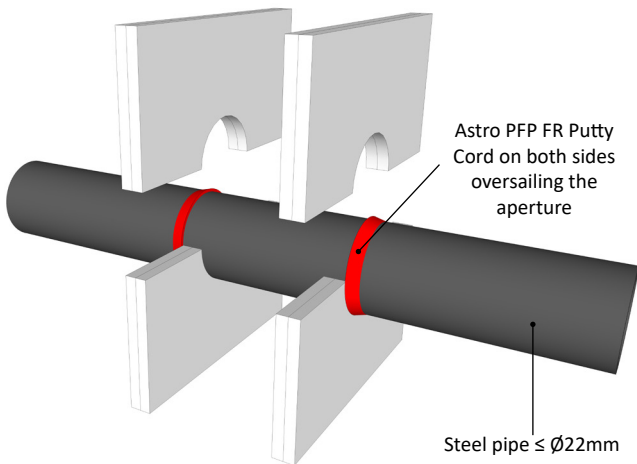
Apertures with less than 10mm annular width around services



STEEL PIPE FIRE RESISTANCE EI 120 C/U (E 120)

≥ 100MM DRYWALLS, MASONRY OR CONCRETE WALLS

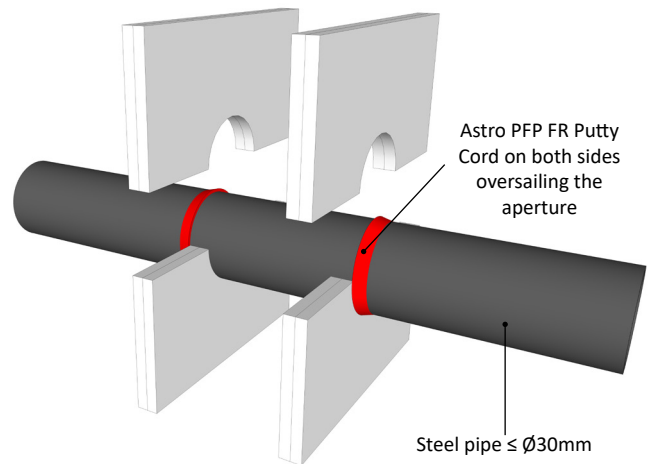
Apertures with less than 10mm annular width around services



STEEL PIPE FIRE RESISTANCE EI 45 C/U (E 120)

≥ 100MM DRYWALLS, MASONRY OR CONCRETE WALLS

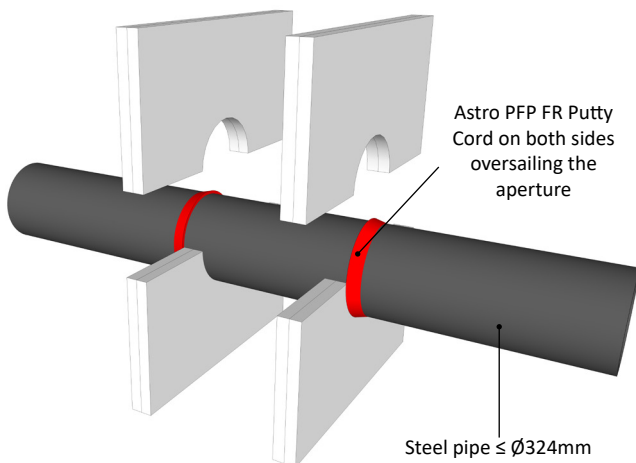
Apertures with less than 10mm annular width around services



STEEL PIPE FIRE RESISTANCE EI 20 C/U (E 90)

≥ 120MM DRYWALLS, MASONRY OR CONCRETE WALLS

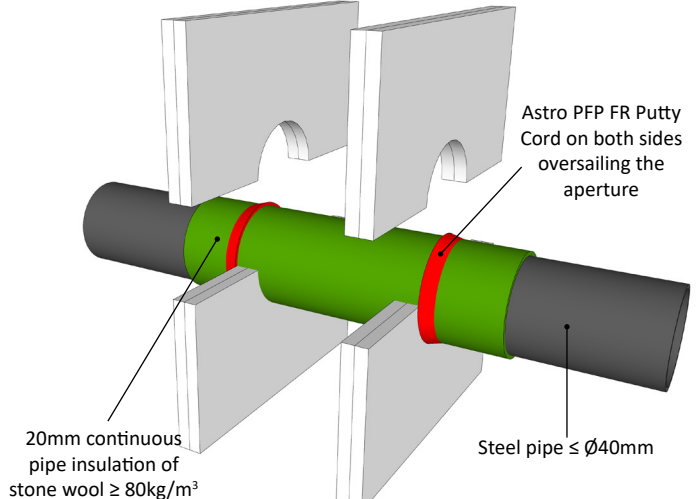
Apertures with less than 10mm annular width around services



STEEL PIPE FIRE RESISTANCE EI 120 C/U (E 120)

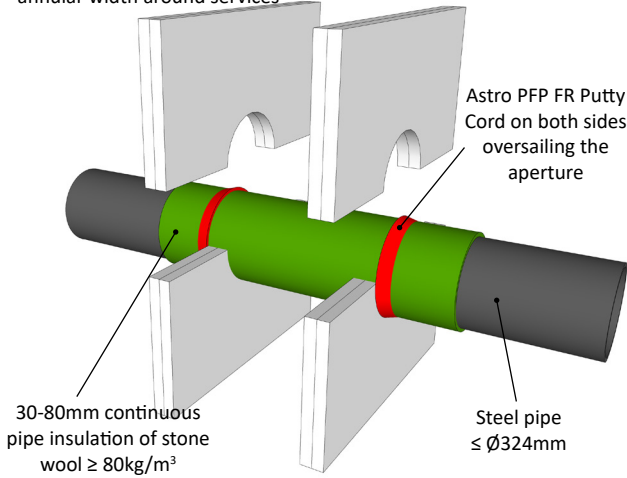
≥ 100MM DRYWALLS, MASONRY OR CONCRETE WALLS

Apertures with less than 10mm annular width around services



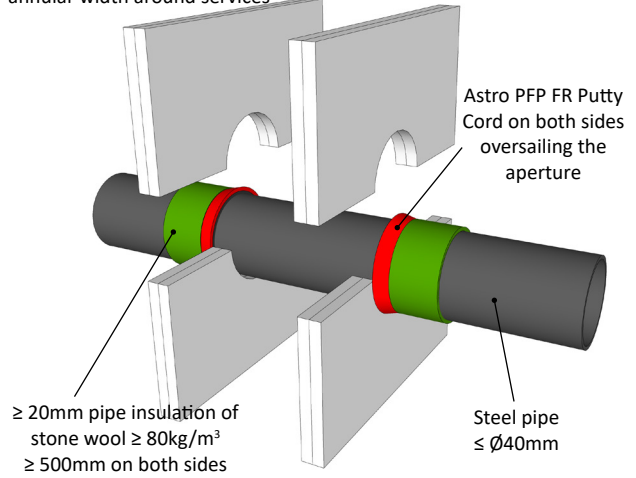
STEEL PIPE FIRE RESISTANCE EI 60 C/U (E 90)
≥ 100MM DRYWALLS, MASONRY OR CONCRETE WALLS

Apertures with less than 10mm annular width around services



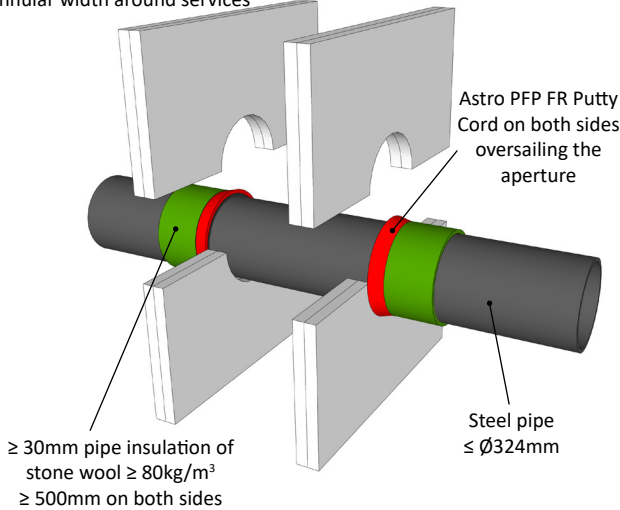
STEEL PIPE FIRE RESISTANCE EI 120 C/U (E 120)
≥ 100MM DRYWALLS, MASONRY OR CONCRETE WALLS

Apertures with less than 10mm annular width around services



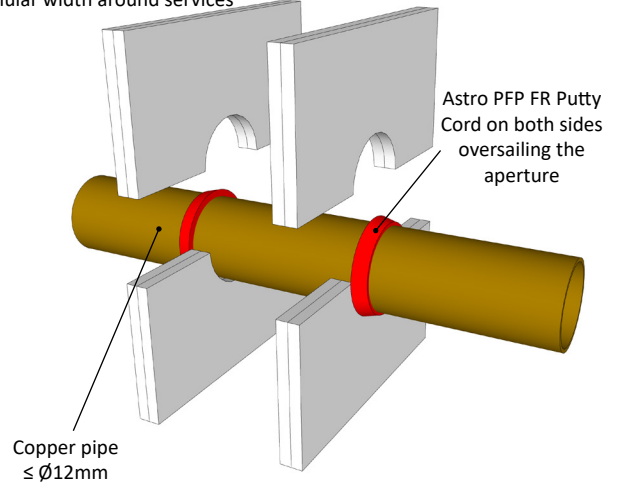
STEEL PIPE FIRE RESISTANCE EI 120 C/U (E 120)
≥ 100MM DRYWALLS, MASONRY OR CONCRETE WALLS

Apertures with less than 10mm annular width around services



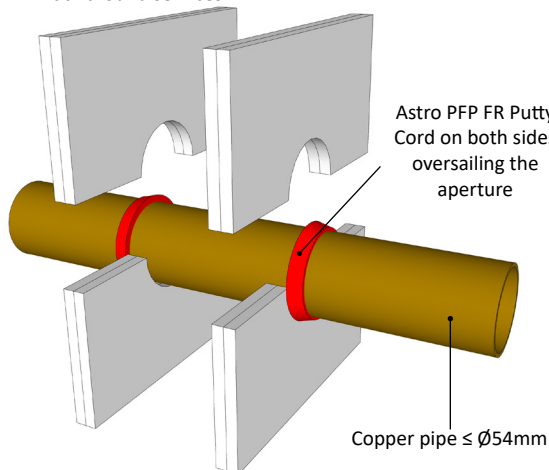
COPPER PIPE FIRE RESISTANCE EI 60 C/C (E 120)
≥ 100MM DRYWALLS, MASONRY OR CONCRETE WALLS

Apertures with less than 10mm annular width around services



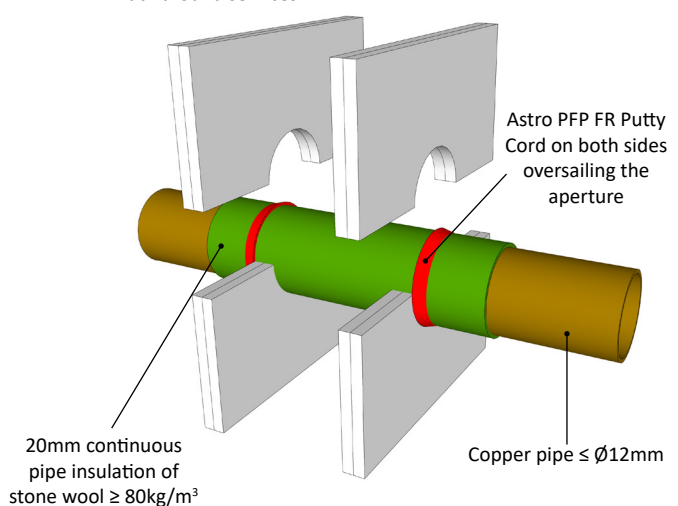
COPPER PIPE FIRE RESISTANCE EI 15 C/C (E 90)
≥ 120MM DRYWALLS, MASONRY OR CONCRETE WALLS

Apertures with less than 10mm annular width around services



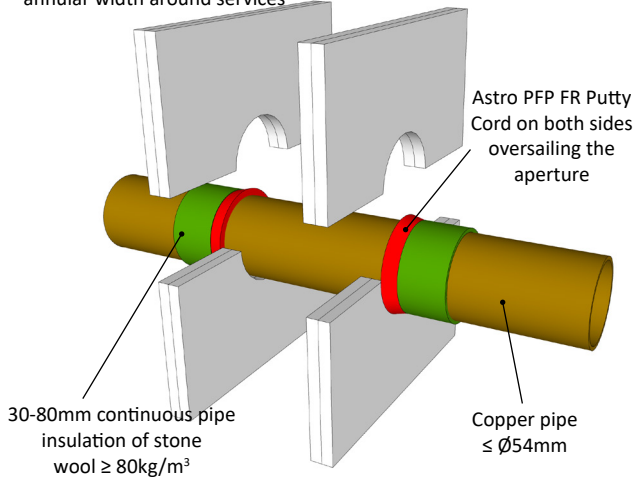
COPPER PIPE FIRE RESISTANCE EI 60 C/C (E 90)
≥ 100MM DRYWALLS, MASONRY OR CONCRETE WALLS

Apertures with less than 10mm annular width around services



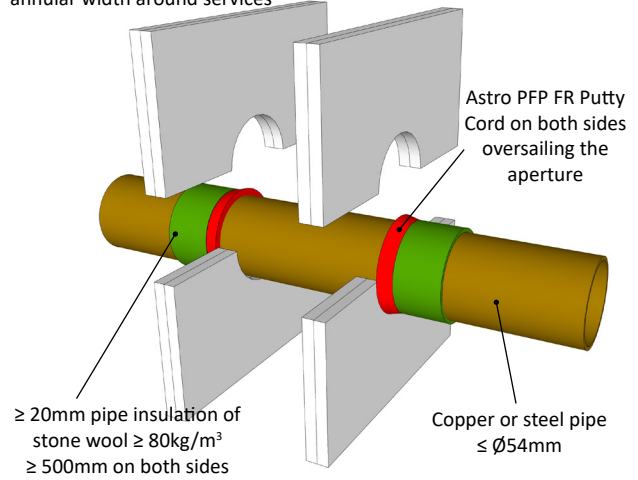
COPPER PIPE FIRE RESISTANCE EI 60 C/C (E 90)
≥ 100MM DRYWALLS, MASONRY OR CONCRETE WALLS

Apertures with less than 10mm annular width around services



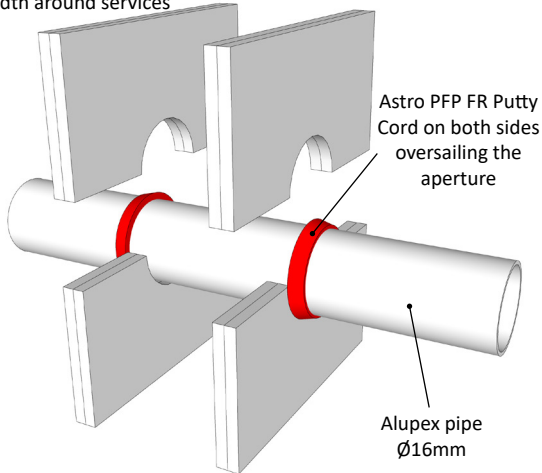
COPPER OR STEEL PIPE FIRE RESISTANCE EI 60 C/C (E 90)
≥ 100MM DRYWALLS, MASONRY OR CONCRETE WALLS

Apertures with less than 10mm annular width around services



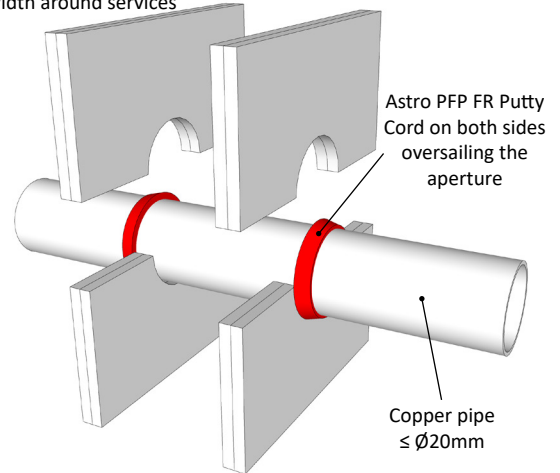
ALUPEX PIPE FIRE RESISTANCE EI 120 C/C (E 120)
≥ 100MM DRYWALLS, MASONRY OR CONCRETE WALLS

Apertures with less than 10mm annular width around services



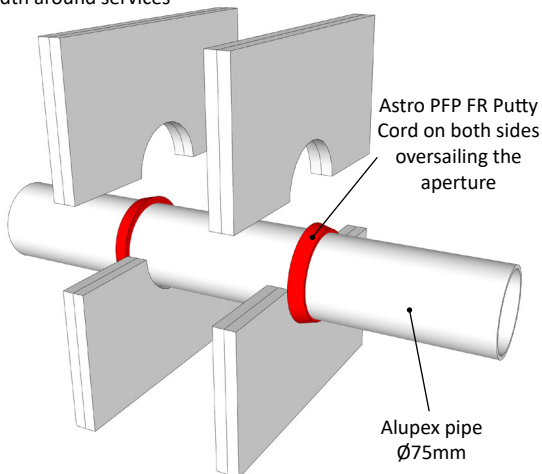
ALUPEX PIPE FIRE RESISTANCE EI 90 C/C (E 120)
≥ 100MM DRYWALLS, MASONRY OR CONCRETE WALLS

Apertures with less than 10mm annular width around services



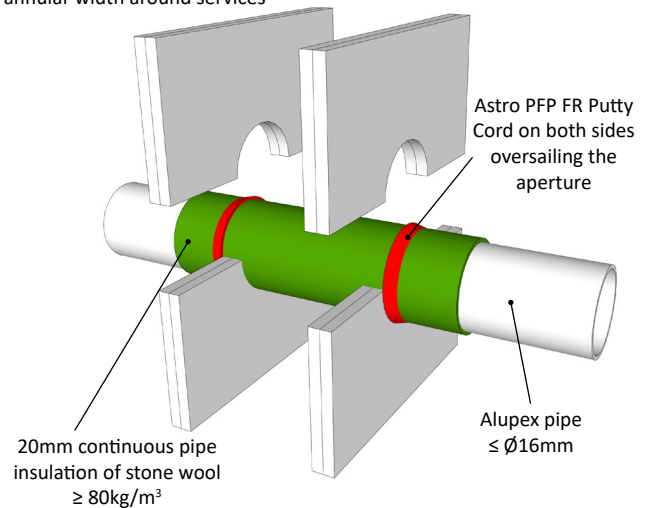
ALUPEX PIPE FIRE RESISTANCE EI 90 C/C (E 90)
≥ 120MM DRYWALLS, MASONRY OR CONCRETE WALLS

Apertures with less than 10mm annular width around services



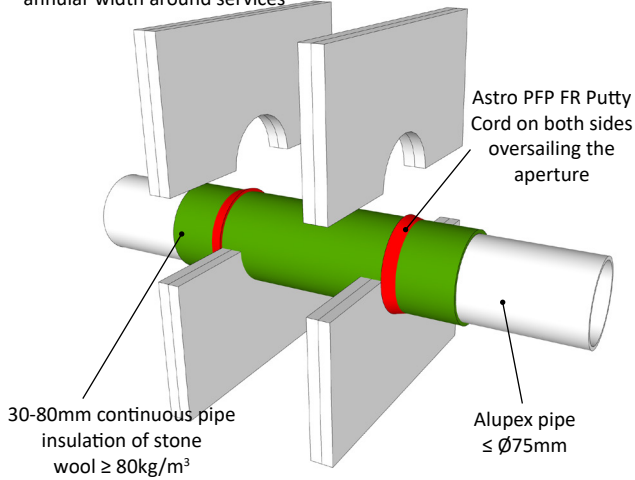
ALUPEX PIPE FIRE RESISTANCE EI 90 C/C (E 90)
≥ 100MM DRYWALLS, MASONRY OR CONCRETE WALLS

Apertures with less than 10mm annular width around services



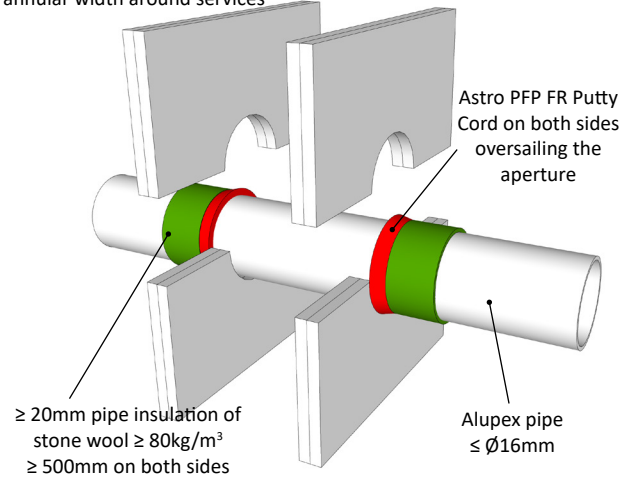
ALUPEX PIPE FIRE RESISTANCE EI 90 C/C (E 90)
≥ 100MM DRYWALLS, MASONRY OR CONCRETE WALLS

Apertures with less than 10mm annular width around services



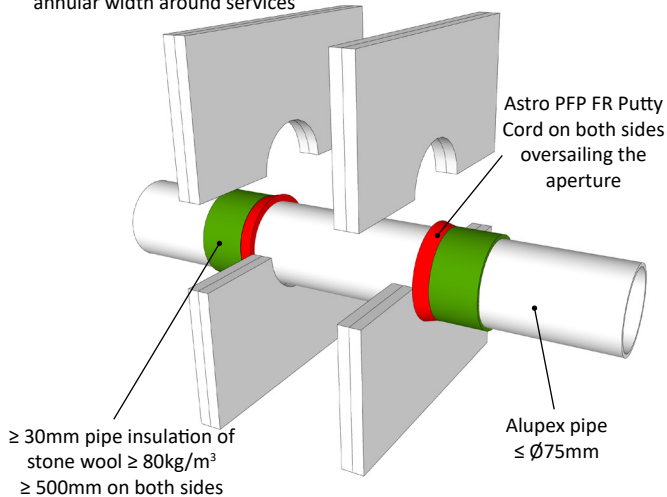
ALUPEX PIPE FIRE RESISTANCE EI 90 C/C (E 90)
≥ 100MM DRYWALLS, MASONRY OR CONCRETE WALLS

Apertures with less than 10mm annular width around services



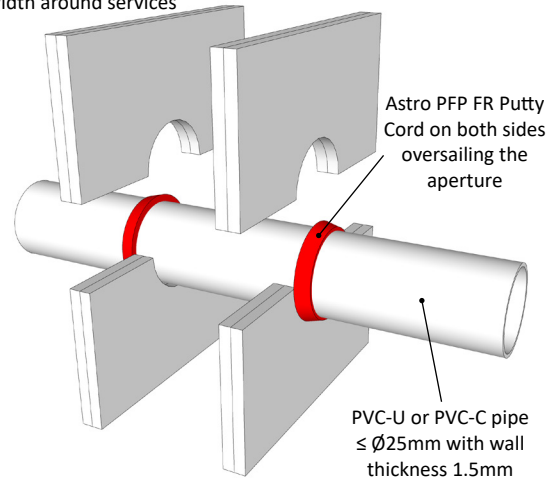
ALUPEX PIPE FIRE RESISTANCE EI 90 C/C (E 90)
≥ 100MM DRYWALLS, MASONRY OR CONCRETE WALLS

Apertures with less than 10mm annular width around services



PVC PLASTIC PIPE FIRE RESISTANCE EI 60 U/C (E 60)
≥ 100MM DRYWALLS, MASONRY OR CONCRETE WALLS

Apertures with less than 10mm annular width around services



As part of our policy of ongoing improvements, we reserve the right to modify, alter or change product specifications without giving notice. Product illustrations are representations only. All information contained in this document is provided for guidance only, and as ASTROFLAME (FIRE SEALS) LTD has no control over the specific application or installation methods of the products, or of the prevailing site conditions, no warranties expressed or implied are intended to be given as to the actual performance of the products mentioned or referred to, and no liability whatsoever will be accepted for any loss, damage or injury arising from the use of the information given of products mentioned or referred to herein.

The above information to the best of our knowledge is true and accurate and based upon current test data and is supplied for your guidance only. Customers should satisfy themselves to the suitability of the product based on the products limitation of applications and that the product is fit for purpose for their intended use and no guarantee is given or implied since the conditions of actual use are beyond our control. ASTROFLAME (FIRE SEALS) LTD, disclaim any liability for loss, damage or other expense arising from the use of information, data or products mentioned or referred to and reserve the right to change any details or specifications without notice. If you are in any doubt as to the suitability of this product for your intended application please contact our technical team on 01329 844500 or email sales@astroflame.com and we will contact you.