

Technical Data Sheet

Astro Batt

Revision 16 - 22nd February 2024





ETA-Danmark A/S
Göteborg Plads 1
DK-2150 Nordhavn
Tel. +45 72 24 59 00
Internet www.etadanmark.dk

Authorised and notified according
to Article 29 of the Regulation (EU)
No 305/2011 of the European
Parliament and of the Council of 9
March 2011

MEMBER OF EOTA



European Technical Assessment ETA-20/1091 of 2023/11/23

I General Part

Technical Assessment Body issuing the ETA and designated according to Article 29 of the Regulation (EU) No 305/2011: ETA-Danmark A/S

Trade name of the construction product:

Astro Batt and Coating

Product family to which the above construction product belongs:

Fire Stopping, Fire Sealing & Fire Protective Products.
Fire Retardant Products

Manufacturer:

Astroflame (fireseals) Limited
Unit 8 The IO Centre
Stephenson Road
Segensworth,
Fareham
Hampshire
PO15 5RU

Manufacturing plant:

E055

This European Technical Assessment contains:

178 pages including 2 annexes which form an integral part of the document

This European Technical Assessment is issued in accordance with Regulation (EU) No 305/2011, on the basis of:

EAD 350454-00-1104 Firestopping and fire sealing products, Penetration Seals

This version replaces:

The ETA with the same number issued on 2020-12-09

Translations of this European Technical Assessment in other languages shall fully correspond to the original issued document and should be identified as such.

Communication of this European Technical Assessment, including transmission by electronic means, shall be in full [except the confidential Annex(es) referred to above]. However, partial reproduction may be made with the written consent of the issuing Technical Assessment Body. Any partial reproduction has to be identified as such.

II SPECIFIC PART OF THE EUROPEAN TECHNICAL ASSESSMENT

1 Technical description of the product

Astro Batt and Coating is a coated mineral wool batt used to reinstate the fire resistance performance of wall constructions where they have been provided with apertures for the penetration of single or multiple services.

Astro Batt and Coating is supplied coated on both faces. The batt is then cut, and friction fit into the aperture, prior to being inserted into the aperture in the wall.

Astro Batt and Coating are either 50mm thick and supplied in overall dimensions 1200mm x 600mm with a density of 140kg.m³ or 60 mm thick and supplied in overall dimensions 1200mm x 600mm with a density of 140kg.m³ and are coated to one face only.

Astro Intu Mastic is required to seal all joints and junctions during the sealing process. Astro Intu Mastic is subject to a separate ETA referenced 20/1029 & 20/1028.

Astro HPE Sealant is required to seal around specific services (See Annex B). Astro HPE Sealant is subject to a separate ETA referenced ETA 20/1011.

2 Specification of the intended use in accordance with the applicable European Assessment Document (hereinafter EAD)

The intended use of Astro Batt and Coating is to reinstate the fire resistance performance of rigid and flexible wall constructions where they are penetrated by various cables and metallic pipes.

The specific elements of construction that the system Astro Batt and Coating may be used to provide a penetration seal in, are as follows:

Rigid Walls:

The wall must have a minimum thickness of 150 mm and comprise concrete, aerated concrete or masonry, with a minimum density of 650 kg/m³.

The wall must have a minimum thickness of 100 mm and comprise concrete, aerated concrete or masonry, with a minimum density of 650 kg/m³.

Flexible Walls:

The wall must have a minimum thickness of 75 mm

and comprise timber or steel studs lined on both faces with minimum 2 layers of 12.5 mm thick, 'Type F' Gypsum boards according to EN 520. In timber stud walls, the cavity must be closed between the penetration seal and the stud and minimum 100 mm of insulation of class A1 or A2 according to EN 13501-1, is provided within the cavity between the penetration seal and the stud.

The supporting construction must be classified in accordance with EN 13501-2 for the required fire resistance period.

The Astro Batt and Coating may be used to provide a penetration seal with pipes and cables, and cable trays and ladders (for details see Annex B).

The total amount of cross section of services (including insulation) should not exceed 60% of the penetration area.

The minimum permitted separation between adjacent seals/apertures is 200 mm.

Pipes and cables do not have to be installed singular.

The use category of the Astro Batt and Coating is Type Z₁: Intended for use in internal conditions with humidity equal to or higher than 85% RH excluding temperatures below 0°C, without exposure to rain or UV.

The provisions made in this European Technical Assessment are based on an assumed intended working life of the batts of 25 years, provided that the conditions laid down in the product data sheet for the packaging/transport/storage/installation/use/repair are met.

The indications given on the intended working life cannot be interpreted as a guarantee given by the producer or the Technical Assessment Body but are to be regarded only as a means for selecting the appropriate products in relation to the expected economically reasonable working life of the works.

3 Performance of the product and references to the methods used for its assessment.

Characteristic	Assessment of characteristic																																																						
<p>3.1 Safety in case of fire (BWR 2) Reaction to fire Resistance to fire</p>	<p>No performance assessed See Annex B</p>																																																						
<p>3.2 Safety in case of fire (BWR 2) Air permeability</p>	<table border="1"> <thead> <tr> <th colspan="2">Product tested</th> <th colspan="3">Stopseal Batt (50mm)</th> </tr> <tr> <th rowspan="2">Pressure (Pa)</th> <th colspan="2">Results under positive chamber pressure</th> <th colspan="2">Results under negative chamber pressure</th> </tr> <tr> <th>Leakage (m³/h)</th> <th>Leakage (m³/m²/h)</th> <th>Leakage (m³/h)</th> <th>Leakage (m³/m²/h)</th> </tr> </thead> <tbody> <tr><td>50</td><td>0.6</td><td>0.8</td><td>1.1</td><td>1.5</td></tr> <tr><td>100</td><td>1.0</td><td>1.4</td><td>1.3</td><td>1.8</td></tr> <tr><td>150</td><td>2.8</td><td>3.9</td><td>1.5</td><td>2.1</td></tr> <tr><td>200</td><td>3.8</td><td>5.3</td><td>1.9</td><td>2.6</td></tr> <tr><td>250</td><td>4.5</td><td>6.3</td><td>2.0</td><td>2.8</td></tr> <tr><td>300</td><td>5.0</td><td>6.9</td><td>2.4</td><td>3.3</td></tr> <tr><td>450</td><td>5.1</td><td>7.1</td><td>1.9</td><td>2.6</td></tr> <tr><td>600</td><td>6.7</td><td>9.3</td><td>2.2</td><td>3.1</td></tr> </tbody> </table>	Product tested		Stopseal Batt (50mm)			Pressure (Pa)	Results under positive chamber pressure		Results under negative chamber pressure		Leakage (m ³ /h)	Leakage (m ³ /m ² /h)	Leakage (m ³ /h)	Leakage (m ³ /m ² /h)	50	0.6	0.8	1.1	1.5	100	1.0	1.4	1.3	1.8	150	2.8	3.9	1.5	2.1	200	3.8	5.3	1.9	2.6	250	4.5	6.3	2.0	2.8	300	5.0	6.9	2.4	3.3	450	5.1	7.1	1.9	2.6	600	6.7	9.3	2.2	3.1
Product tested		Stopseal Batt (50mm)																																																					
Pressure (Pa)	Results under positive chamber pressure		Results under negative chamber pressure																																																				
	Leakage (m ³ /h)	Leakage (m ³ /m ² /h)	Leakage (m ³ /h)	Leakage (m ³ /m ² /h)																																																			
50	0.6	0.8	1.1	1.5																																																			
100	1.0	1.4	1.3	1.8																																																			
150	2.8	3.9	1.5	2.1																																																			
200	3.8	5.3	1.9	2.6																																																			
250	4.5	6.3	2.0	2.8																																																			
300	5.0	6.9	2.4	3.3																																																			
450	5.1	7.1	1.9	2.6																																																			
600	6.7	9.3	2.2	3.1																																																			
<p>Water permeability Content, emission and/or release of dangerous substances</p>	<p>No performance assessed All dangerous chemical substances are below the classification limits of 67/548/EEC*</p>																																																						
<p>3.3 Safety and accessibility in use (BWR4) Mechanical resistance and stability Resistance to impact/movement Adhesion Durability</p>	<p>No performance assessed No performance assessed No performance assessed Use category: Type Z₁</p>																																																						
<p>3.4 Protection against noise (BWR5) Airborne sound insulation</p>	<p>R_w (C; C_{tr}) = 24(-2; -3) dB</p>																																																						
<p>3.5 Energy economy and heat retention (BWR6) Thermal properties Water vapour permeability</p>	<p>No performance assessed No performance assessed</p>																																																						

See additional information in section 3.6-3.7

*) In addition to the specific clauses relating to dangerous substances contained in this European technical Assessment, there may be other requirements applicable to the products falling within its scope (e.g., transposed European legislation and national laws, regulations and administrative provisions). In order to meet the provisions of the Construction Products Regulation, these requirements need also to be complied with, when and where they apply.

3.6 Methods of verification

The assessment of Astro Batt and Coating for the declared intended use has been made in accordance with EAD 350454-00-1104 Firestopping and fire sealing products, Penetration Seals.

3.7 General aspects related to the fitness for use of the product.

The European Technical Assessment is issued for the product based on agreed data/information, deposited with ETA-Danmark, which identifies the product that has been assessed and judged. Changes to the product or production process, which could result in this deposited data/information being incorrect, should be notified to ETA-Danmark before the changes are introduced. ETA-Danmark will decide if such changes affect the ETA and consequently the validity of the CE marking based on the ETA and if so whether further assessment or alterations to the ETA, shall be necessary.

The Astro Batt and Coating for firestopping and fire sealing purposes are manufactured in accordance with the provisions of this European Technical Assessment using the manufacturing processes as identified in the inspection of the plant by the notified inspection body and laid down in the technical documentation.

4 Attestation and verification of constancy of performance (hereinafter AVCP) system applied, with reference to its legal base.

4.1 AVCP system

According to the decision 1999/454/EC of the European Commission, the system of assessment and verification of constancy of performance (see Annex V to Regulation (EU) No 305/2011) is: **1**.

5 Technical details necessary for the implementation of the AVCP system, as provided for in the applicable EAD.

Technical details necessary for the implementation of the AVCP system are laid down in the control plan deposited at ETA-Danmark prior to CE marking.

Issued in Copenhagen on 2023-11-23 by



Thomas Bruun
Managing Director, ETA-Danmark

Annex A

Description of Product and Product Literature

Astro Batt and Coating

A detailed specification of the product is contained in document "Evaluation Report" relating to the European Technical Assessment ETA – 20/1091 Astro Batt and Coating

Annex B

Resistance to Fire Classification of Astro Batt and Coating

B1 Astro Batt and Coating Penetration Seal in Flexible or Rigid Walls min. 70 mm thick

B1.1 Single Layer (50mm both sides) Astro Batt and Coating Pattress Install Penetration Seal

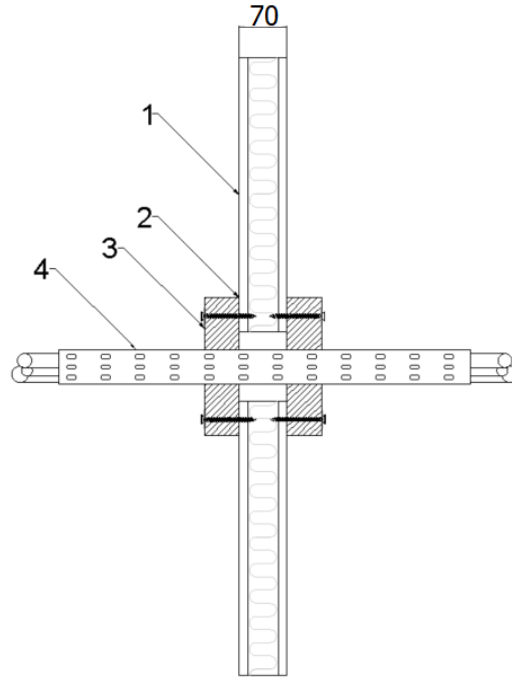
B1.1.1 Cables and Conduits Penetrations

<p>Construction details:</p> <ul style="list-style-type: none"> • Single layer of Astro Batt and Coating pattress installed both sides of the wall. • Max. Aperture size 570mm wide x 200mm high • Pattress installation of Astro Batt and Coating. • The Astro Batt and Coating are installed in horizontal rows and fixed in minimum two vertical edges. Overlap of batts to substrate min 50mm. Batt's mechanically fixed to substrate with min 6mm x 80mm steel screws and steel retaining washer. Fixings installed at max 300mm centers. • First service support 1025mm from both faces of the substrate 	
<p>Key</p> <ol style="list-style-type: none"> 1. Supporting Construction 2. Astro intu Mastic 3. Astro Batt and Coating 4. Service Penetration 	

Service(s)	Classification
500mm wide x 60mm deep steel cable basket containing 3 x type 'B' cable and 20 x bundle of telecoms cables	EI90
500mm wide x 60mm deep steel cable tray containing 1 x type 'B' cable, 3 x type 'A1' cable, 3 x type 'A2' cable, and 3 x type 'A3' cable	
Service(s)	Classification
20mm dia Adaptaflex SPL20 flexible conduit	EI90 EI60
20mm dia Kopex KSU 316 stainless steel flexible conduit	
150mm wide x 60mm deep steel cable tray containing 4 x FP200 Gold (Firealarm cable 7mm dia red) Cables	

Construction details:

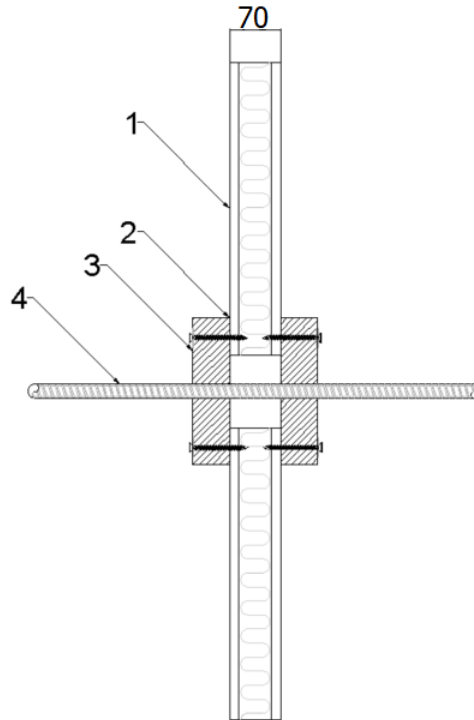
- Single layer of Astro Batt and Coating pattress installed both sides of the wall.
- Max. Aperture size 570mm wide x 200mm high
- Pattress installation of Astro Batt and Coating.
- The Batts are installed in horizontal rows and fixed on all edges.
- Overlap of batts to substrate min 50mm.
- Batts mechanically fixed to substrate with min 6mm x 80mm steel screws and steel retaining washer.
- Fixings installed at max 300mm centers.



Service(s)	Classification
500mm wide x 60mm deep steel cable basket containing 3 x type 'B' cable and 20 x bundle of telecoms cables	EI90
500mm wide x 60mm deep steel cable tray containing 1 x type 'B' cable, 3 x type 'A1' cable, 3 x type 'A2' cable, and 3 x type 'A3' cable	

Construction details:

- Single layer of Astro Batt and Coating pattress installed both sides of the wall.
- Max. Aperture size 570mm wide x 200mm high
- Pattress installation of Astro Batt and Coating.
- The Batts are installed in horizontal rows and fixed on all edges.
- Overlap of batts to substrate min 50mm.
- Batts mechanically fixed to substrate with min 6mm x 80mm steel screws and steel retaining washer.
- Fixings installed at max 300mm centers.



Service(s)	Classification
20mm dia Adaptaflex SPL20 flexible conduit	EI90
20mm dia Kopex KSU 316 stainless steel flexible conduit	
150mm wide x 60mm deep steel cable tray containing 4 x FP200 Gold (Firealarm cable 7mm dia red) Cables	E 90 EI 60

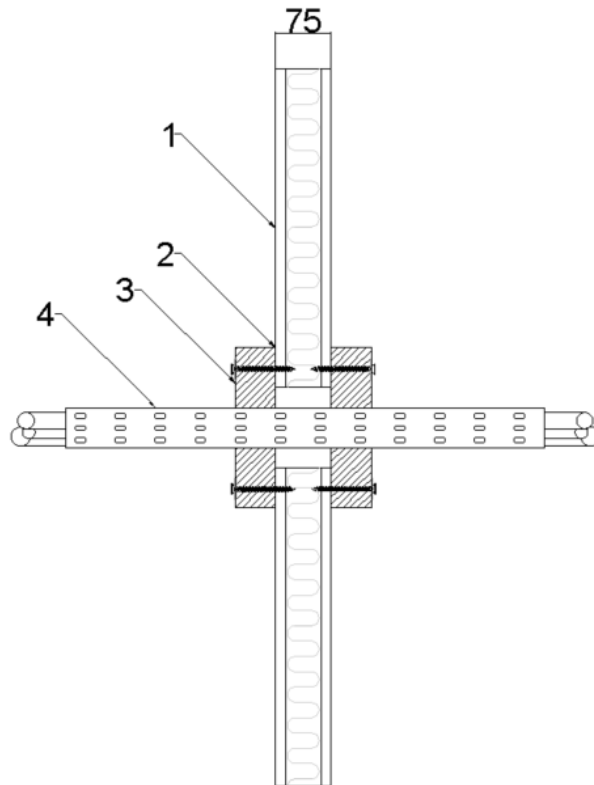
B2 Astro Batt and Coating Penetration Seal in Flexible Walls 75 mm thick

B2.1 Single Layer (50mm) Astro Batt and Coating Penetration Seal

B 2.1.1 Electrical Cables

Construction details:

- Single layer of Astro Batt and Coating (50mm) installed internally within the wall.
- Max. Aperture size 570mm wide x 200mm high
- First service support 250mm from both faces of the substrate.
- Pattress installation of Astro Batt and Coating.
- The Batts are installed in horizontal rows and fixed in minimum two vertical edges.
- Overlap of batts to substrate min 50mm.
- Batts mechanically fixed to substrate with min 6mm x 80mm steel screws and steel retaining washer.
- Fixings installed at max 300mm centers



Service(s)	Classification
500mm wide x 60mm deep steel cable basket containing 3 x type 'B' cable and 20 x bundle of telecoms cables	EI 90
500mm wide x 60mm deep steel cable tray containing 1 x type 'B' cable, 3 x type 'A1' cable, 3 x type 'A2' cable, and 3 x type 'A3' cable	

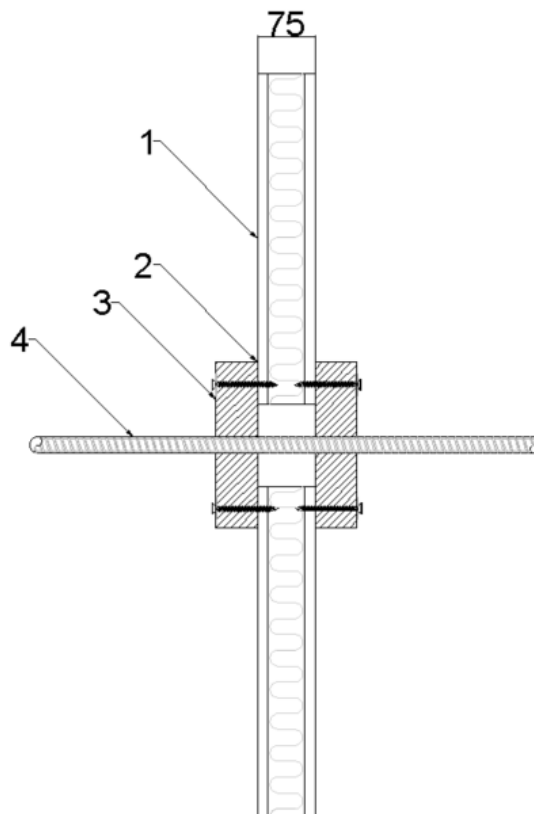
B3 Astro Batt and Coating Penetration Seal in Flexible Walls 75 mm thick

B3.1 Single Layer (50mm) Astro Batt and Coating Penetration Seal

B 3.1.1 Electrical Cables and Conduits

Construction details:

- Single layer of Astro Batt and Coating (50mm) installed internally within the wall.
- Max. Aperture size 200mm wide x 200mm high
- Pattress installation of Astro Batt and Coating.
- The Batts are installed in horizontal rows and fixed in minimum two vertical edges.
- Overlap of batts to substrate min 50mm.
- Batts mechanically fixed to substrate with min 6mm x 80mm steel screws and steel retaining washer.
- Fixings installed at max 300mm centers



Service(s)	Classification
20mm dia Adaptaflex SPL20 flexible conduit	EI 90
20mm dia Kopex KSU 316 stainless steel flexible conduit	
150mm wide x 60mm deep steel cable tray	
4x FP200 Gold (Firealarm cable 7mm dia red) Cables	E90 EI 60

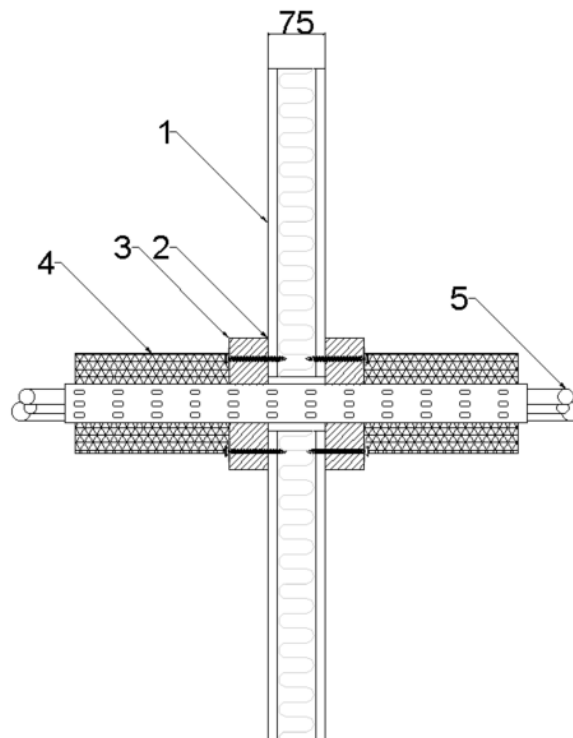
B4 Astro Batt and Coating Penetration Seal in Flexible Walls 75 mm thick

B4.1 Single Layer (50mm) Astro Batt and Coating Penetration Seal

B 4.1.1 Electrical Cables and Cable Trunking

Construction details:

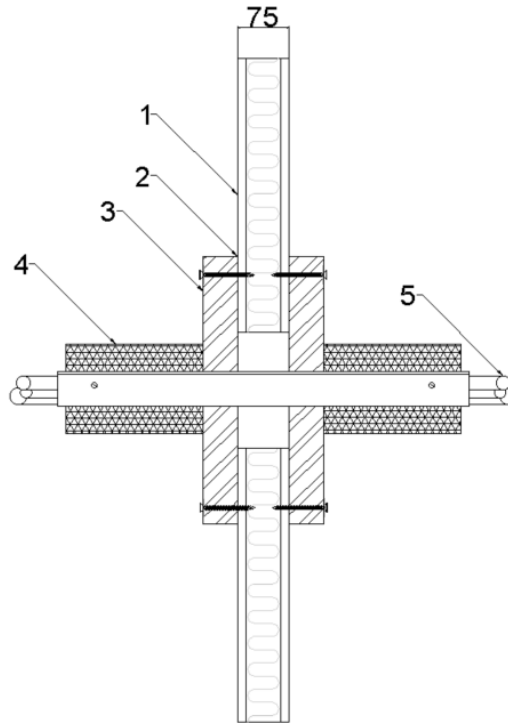
- Single layer of Astro Batt and Coating (50mm) installed internally within the wall.
- Max. Aperture size 70mm wide x 70mm high
- Pattress installation of Astro Batt and Coating.
- The Batts are installed in horizontal rows and fixed in minimum two vertical edges.
- Overlap of batts to substrate min 50mm.
- Batts mechanically fixed to substrate with min 6mm x 80mm steel screws and steel retaining washer.
- Fixings installed at max 300mm centers



Service(s)	Classification
50mm x 50mm Insulated steel cable trunking, Stone Wool 40mm thick, 45kg/m ³ (LI 400mm). S-Line Pillow tightly fitted around the cables in the section of trunking within the depth of the partition.	EI 60 U/U
Cables 1xA1, 1xA2, 1xA3	EI 60
Cables 1xA1	
Cables 1xA2	
Cables 1xA3	

Construction details:

- Single layer of Astro Batt and Coating (50mm) installed internally within the wall.
- Max. Aperture size 170mm wide x 170mm high
- Pattress installation of Astro Batt and Coating.
- The Batts are installed in horizontal rows and fixed in minimum two vertical edges.
- Overlap of batts to substrate min 50mm.
- Batts mechanically fixed to substrate with min 6mm x 80mm steel screws and steel retaining washer.
- Fixings installed at max 300mm centers



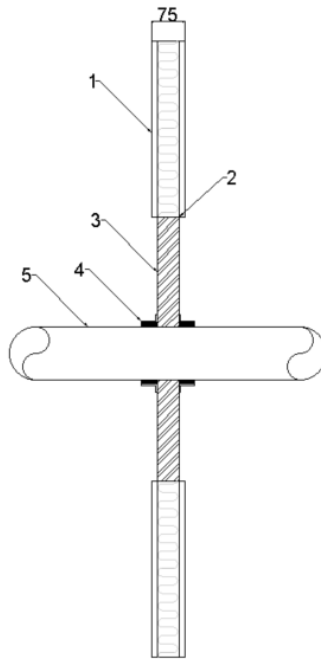
Service(s)	Classification
150mm x 150mm Insulated steel cable trunking, Stone Wool 40mm thick, 45kg/m ³ (LI 400mm). S-Line Pillow tightly fitted around the cables in the section of trunking within the depth of the partition.	EI 60 U/U
Cables 1xB1, 1xC1, 1xG1, 1xG2	EI 60
Cables 1xB1	
Cables 1xC1	
Uncheathed electrical cables 0-24 mm dia	

B5 Astro Batt and Coating Penetration Seal in Flexible Walls 75 mm thick

B5.1 Single Layer (50mm) Astro Batt and Coating Penetration Seal B 5.1.1 Plastic Pipes

Construction details:

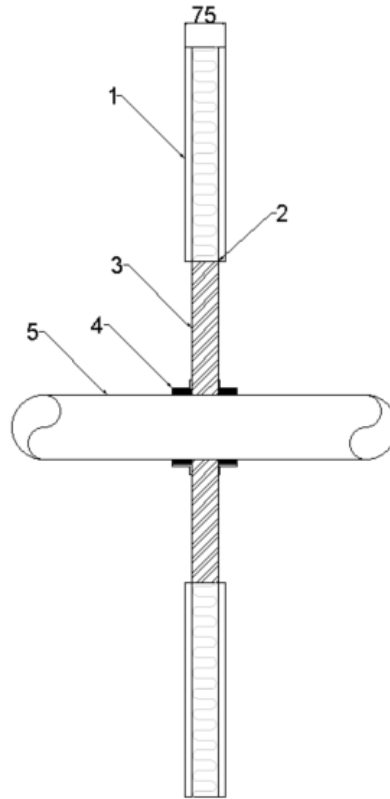
- Single layer of Astro Batt and Coating (50mm) Plastic Pipes
- Max. Aperture size 600mm wide x 600mm high
- Penetrations positioned as per option 1 or 2 below, 0 mm distance between services and 50 mm to edge of seal.
- Collars secured both faces of the substrate utilizing 80mm long steel pig tail screw through to Astro Batt and Coating



Penetration Specification	Astro X series CE pipe Collar Ref	Classification
PVC Pipe 32mm Ø, 1.8mm wall thickness	32 mm	EI 60 U/C
PVC Pipe 40mm Ø, 1.8mm wall thickness	40 mm	
PVC Pipe 50mm Ø, 1.8mm wall thickness	50 mm	
PVC Pipe 55mm Ø, 1.8-2.3mm wall thickness	55 mm	
PVC Pipe 63mm Ø, 2.3-3mm wall thickness	63 mm	
PVC Pipe 75mm Ø, 3.1-4.8mm wall thickness	75 mm	
PVC Pipe 82mm Ø, 3.1-4.8mm wall thickness	82 mm	
PVC Pipe 90mm Ø, 4.2-7.4mm wall thickness	90 mm	
PVC Pipe 100mm Ø, 4.2-7.4mm wall thickness	100 mm	
PVC Pipe 110mm Ø, 4.2-7.4mm wall thickness	110 mm	
PVC Pipe 125mm Ø, 6mm wall thickness	125 mm	
PVC Pipe 140mm Ø, 6.1-7.5mm wall thickness	140 mm	

Construction details:

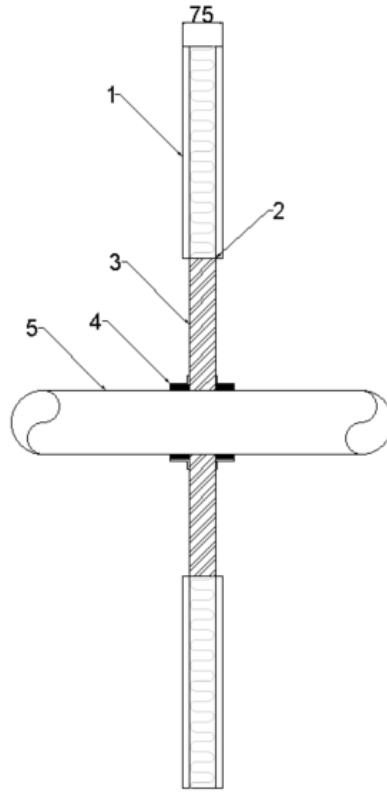
- Single layer of Astro Batt and Coating (50mm) Plastic Pipes
- Max. Aperture size 600mm wide x 600mm high
- Penetrations positioned as per option 1 or 2 below, 0 mm distance between services and 50 mm to edge of seal.
- Collars secured both faces of the substrate utilizing 80mm long steel pig tail screw through to Astro Batt and Coating



Penetration Specification	Astro X series CE pipe Collar Ref	Classification
PVC Pipe 32mm Ø, 2.9mm wall thickness	32 mm	EI 60 U/C
PVC Pipe 40mm Ø, 2.9mm wall thickness	40 mm	
PVC Pipe 50mm Ø, 2.9mm wall thickness	50 mm	
PVC Pipe 55mm Ø, 2.9-4.4mm wall thickness	55 mm	
PVC Pipe 63mm Ø, 2.9-4.4mm wall thickness	63 mm	
PVC Pipe 75mm Ø, 2.8-6.7mm wall thickness	75 mm	
PVC Pipe 82mm Ø, 2.8-6.7mm wall thickness	82 mm	
PVC Pipe 90mm Ø, 2.7-10mm wall thickness	90 mm	
PVC Pipe 100mm Ø, 2.7-10mm wall thickness	100 mm	
PVC Pipe 110mm Ø, 2.7-10mm wall thickness	110 mm	
PVC Pipe 125mm Ø, 3.1mm wall thickness	125 mm	
PVC Pipe 140mm Ø, 3.9-5.8mm wall thickness	140 mm	
PVC Pipe 160mm Ø, 4.9-9.5mm wall thickness	160 mm	

Construction details:

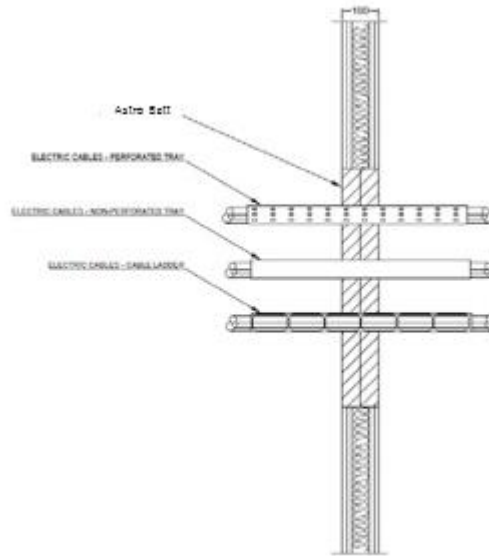
- Single layer of Astro Batt and Coating (50mm) Plastic Pipes
- Max. Aperture size 600mm wide x 600mm high
- Penetrations positioned as per option 1 or 2 below, 0 mm distance between services and 50 mm to edge of seal.
- Collars secured both faces of the substrate utilizing 80mm long steel pig tail screw through to Astro Batt and Coating



Penetration Specification	Astro X series CE pipe Collar Ref	Classification
PVC Pipe 32mm Ø, 2.9mm wall thickness	32 mm	EI 60 U/C
PVC Pipe 40mm Ø, 2.9mm wall thickness	40 mm	
PVC Pipe 50mm Ø, 2.9mm wall thickness	50 mm	
PVC Pipe 55mm Ø, 2.9-4.4mm wall thickness	55 mm	
PVC Pipe 63mm Ø, 2.9-4.4mm wall thickness	63 mm	
PVC Pipe 75mm Ø, 2.8-6.7mm wall thickness	75 mm	
PVC Pipe 82mm Ø, 2.8-6.7mm wall thickness	82 mm	
PVC Pipe 90mm Ø, 2.7-10mm wall thickness	90 mm	
PVC Pipe 100mm Ø, 2.7-10mm wall thickness	100 mm	
PVC Pipe 110mm Ø, 2.7-10mm wall thickness	110 mm	
PVC Pipe 125mm Ø, 3.1mm wall thickness	125 mm	
PVC Pipe 140mm Ø, 3.5-8mm wall thickness	140 mm	
PVC Pipe 160mm Ø, 4-14.6mm wall thickness	160 mm	

B6 Astro Batt and Coating Penetration Seal in Flexible or Rigid Walls min. 100 mm thick**B6.1 Double Layer (50mm) Astro Batt and Coating Penetration Seal B****6.1.1 Cable Penetrations****Construction details:**

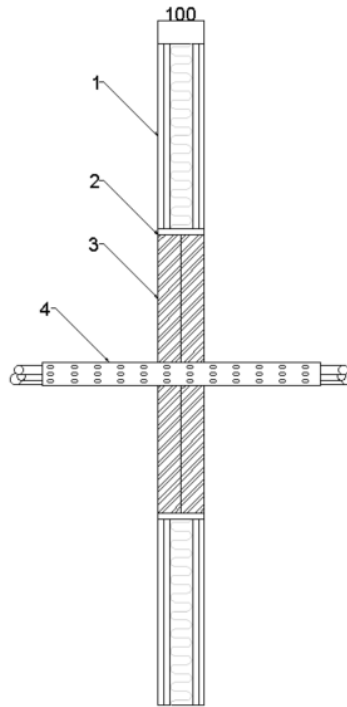
- Double layer of Astro Batt and Coating (50mm) installed internally within the wall.
- Max. Aperture size 730mm wide x 1200mm high
- First service support 250mm from both faces of the substrate



Service(s)	Classification
Electrical cables up to 21mm dia	EI 60
Electrical cables 22mm to 80mm dia	E 60 EI 45
Cable Trays and Ladders	EI 60
100 mm diameter bundle telecommunication cable type "F"	EI 60
Unsheathed electrical cables up to 17mm dia	E 60 EI 30
Unsheathed electrical cables 18-24mm dia	E 60 EI 15
Steel or Copper Conduits up to 16mm	E 60 EI 15
Plastic conduits up to 16mm	EI 60

B7 Astro Batt and Coating Penetration Seal in Flexible or Rigid Walls min. 100 mm thick**B7.1 Double Layer (50mm) Astro Batt and Coating Penetration Seal B****7.1.1 Electrical Cables and Conduits****Construction details:**

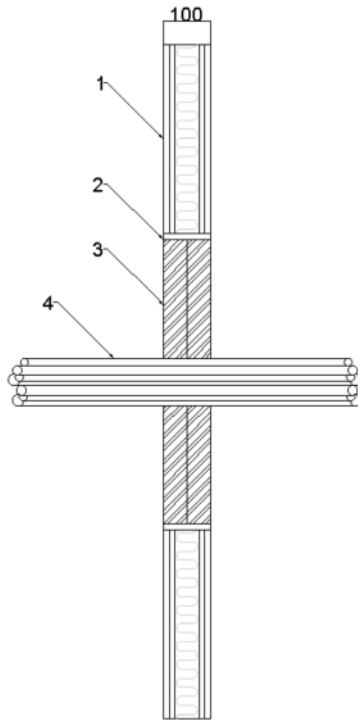
- Double layer of Astro Batt and Coating (50mm) installed internally within the wall.
- Max. Aperture size 2600mm wide x 2600mm high
- First service support 250mm from both faces of the substrate



Service(s)	Classification
Electrical cables up to 21mm dia	EI 60
Electrical cables 22mm to 50mm dia	E 60 EI 45
Electrical cables 51mm to 80mm dia	E 60 EI 30
Cable Trays and Ladders	E 60 EI 45
100 mm diameter bundle telecommunication cable type "F"	EI 60
Unsheathed electrical cables up to 0-24mm dia	EI 60
Steel or Copper Conduits up to 16mm	E60 C/U
Plastic conduits up to 16mm	EI 60 C/U

Construction details:

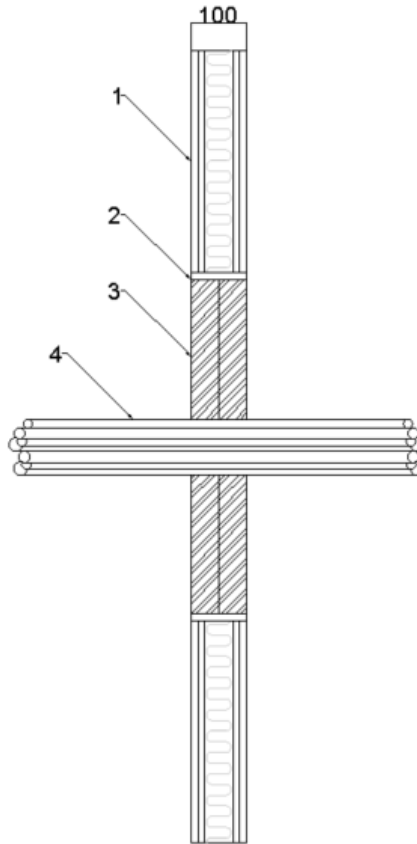
- Double layer of Astro Batt and Coating (50mm) installed internally within the wall.
- Max. Aperture size 2600mm wide x 2600mm high
- First service support 250mm from both faces of the substrate



Service(s)	Classification
Electrical cables up to 21mm dia	EI 60
Electrical cables 22mm to 80mm dia	E 60 EI 45
Cable Trays and Ladders	EI 60
100 mm diameter bundle telecommunication cable type "F"	EI 60
Unsheathed electrical cables up to 17mm dia	E 60 EI 30
Unsheathed electrical cables up to 18-24mm dia	E 60 EI 15
Steel or Copper Conduits up to 16mm	E60 EI 15
Plastic conduits up to 16mm	EI 60

Construction details:

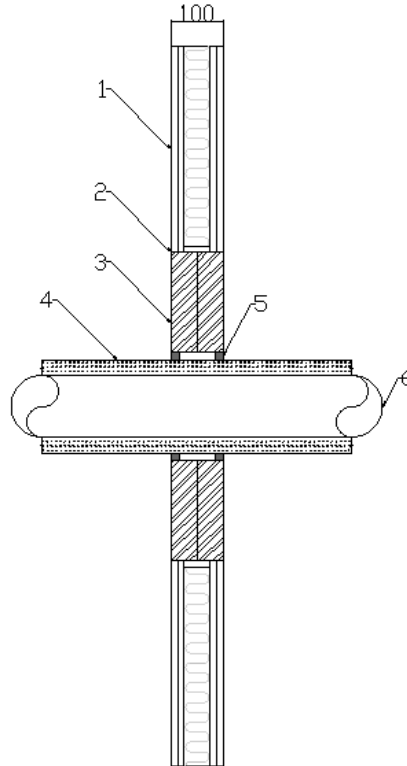
- Double layer of Astro Batt and Coating (50mm) installed internally within the wall.
- Max. Aperture size 2600mm wide x 2600mm high
- First service support 250mm from both faces of the substrate



Service(s)	Classification
Electrical cables up to 21mm dia	EI 60
Electrical cables 22mm to 80mm dia	E 60 EI 45
Cable Trays and Ladders	EI 60
100 mm diameter bundle telecommunication cable type "F"	EI 60
Unsheathed electrical cables up to 17mm dia	E 60 EI 30
Unsheathed electrical cables up to 18-24mm dia	E 60 EI 15
Steel or Copper Conduits up to 16mm	E60 EI 15
Plastic conduits up to 16mm	EI 60

B8 Astro Batt and Coating Penetration Seal in Flexible or Rigid Walls min. 100 mm thick**B8.1 Double Layer (50mm) Astro Batt and Coating Penetration Seal****B 8.1.1 Insulated Metallic Pipes****Construction details:**

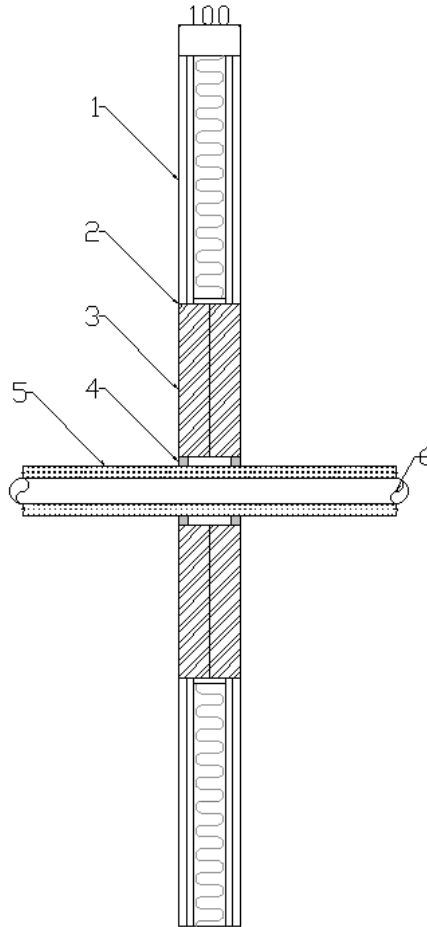
- Double layer of Astro Batt and Coating (50mm) installed internally within the wall.
- Max. Aperture size 730mm wide x 1200mm high
- First service support 250mm from both faces of the substrate.
- 15mm deep x 15mm wide annulus Astro HPE Sealant to both faces of the pipe



Service(s)	Classification
Single copper or mild steel pipe 40mm diameter and 1.5 – 14.2 mm wall with sustained/continuous 20mm thick foil faced glass wool insulation (min 80Kg/m ³)	E 90 U/C EI 60 U/C
Single copper or mild steel pipe 40-159mm diameter and 2.3 – 14.2 mm wall with sustained/continuous 30mm thick foil faced glass wool insulation (min 80Kg/m ³)	EI 60 U/C

Construction details:

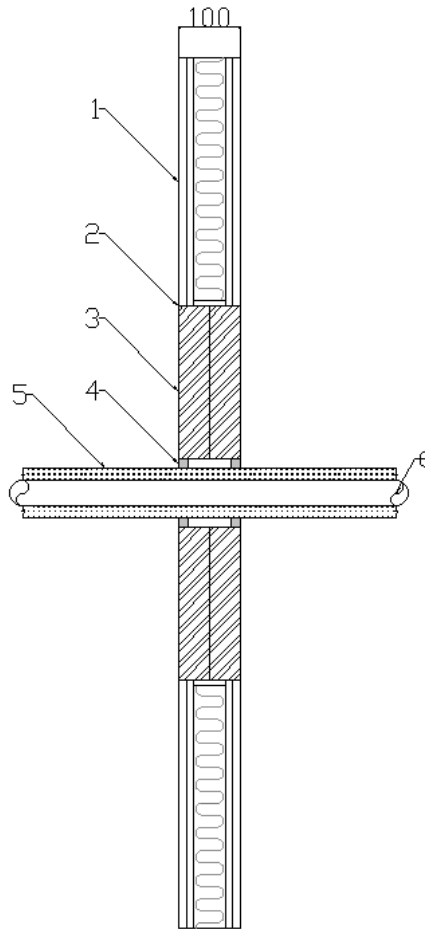
- Double layer of Astro Batt and Coating (50mm) installed internally within the wall.
- Max. Aperture size 2600mm wide x 2600mm high
- First service support 250mm from both faces of the substrate.
- 15mm deep x 15mm wide annulus Astro HPE Sealant to both faces of the pipe



Service(s)	Classification
Single copper or mild steel pipe 40mm diameter and 1.5 – 14.2 mm wall with sustained/continuous 20mm thick foil faced glass wool insulation (min 80Kg/m ³)	EI 60 U/C
Single copper or mild steel pipe 40-159mm diameter and 2.3 – 14.2 mm wall with sustained/continuous 30mm thick foil faced glass wool insulation (min 80Kg/m ³)	EI 60 U/C

Construction details:

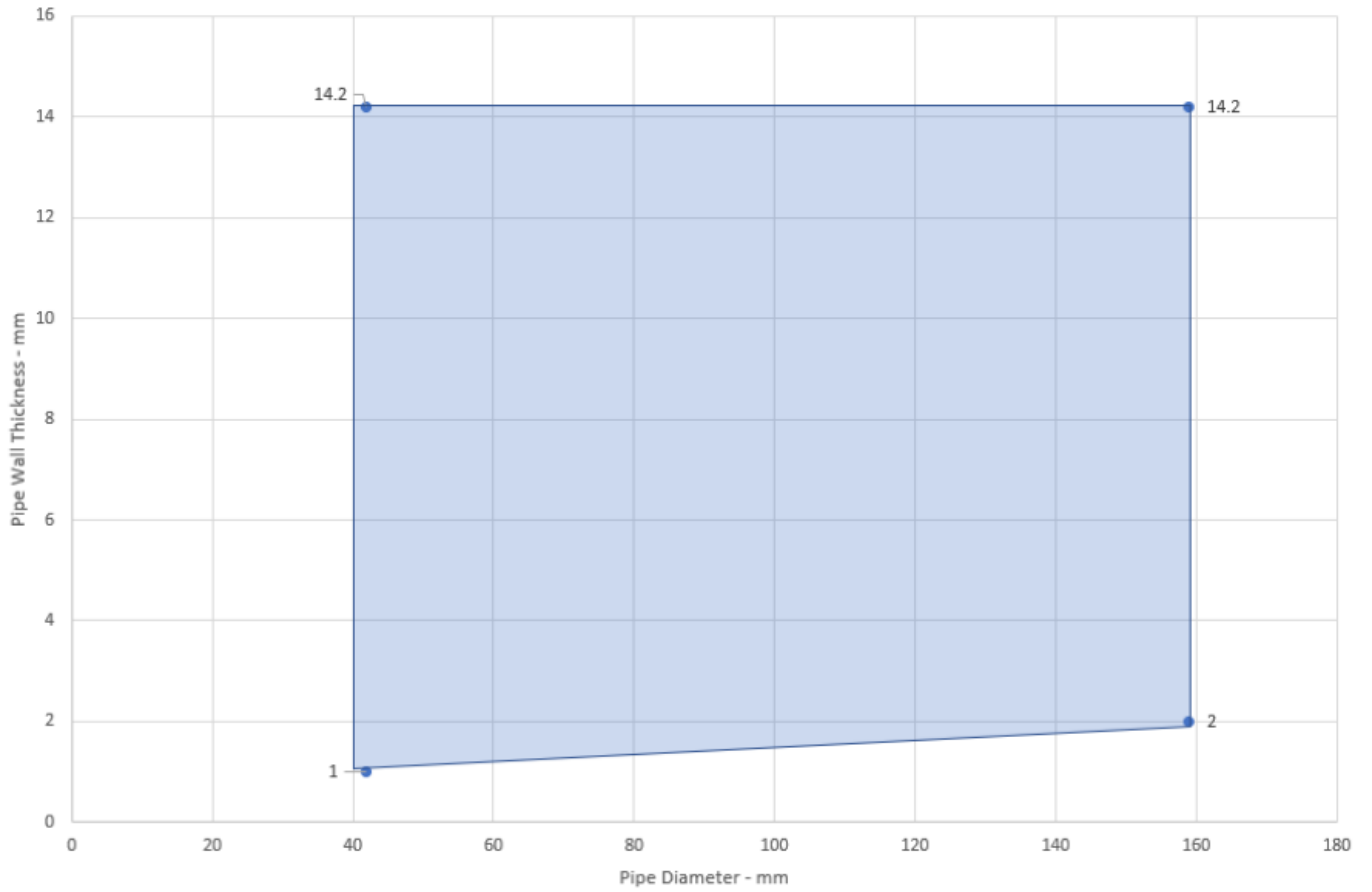
- Double layer of Astro Batt and Coating (50mm) installed internally within the wall.
- Max. Aperture size 730mm wide x 1200mm high
- First service support 250mm from both faces of the substrate.
- 15mm deep x 15mm wide annulus Astro HPE Sealant to both faces of the pipe



Service(s)	Classification
Steel or Copper Pipe 42-159mm Ø, 1.0mm – 14.2mm wall thickness. 25mm thick foil faced glassfibre insulation min. 30kg/m ³ (C/S)	E 120 C/U EI 45 C/U
Steel or Copper Pipe 42mm Ø, 1mm – 14.2mm wall thickness. 25mm thick foil faced glassfibre insulation min. 30kg/m ³ (C/S)	E 120 C/U EI 60 C/U

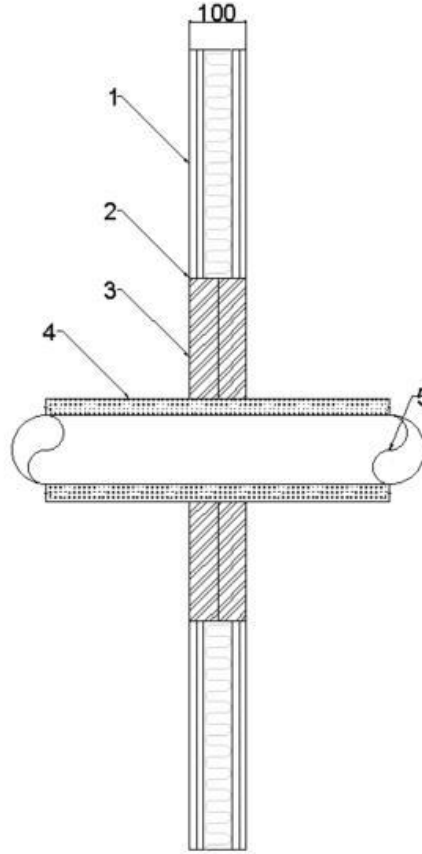
Permitted Pipe Diameter vs Pipe Wall Thickness as graph below.

Permitted Pipe Diameter vs Pipe Wall Thickness



Construction details:

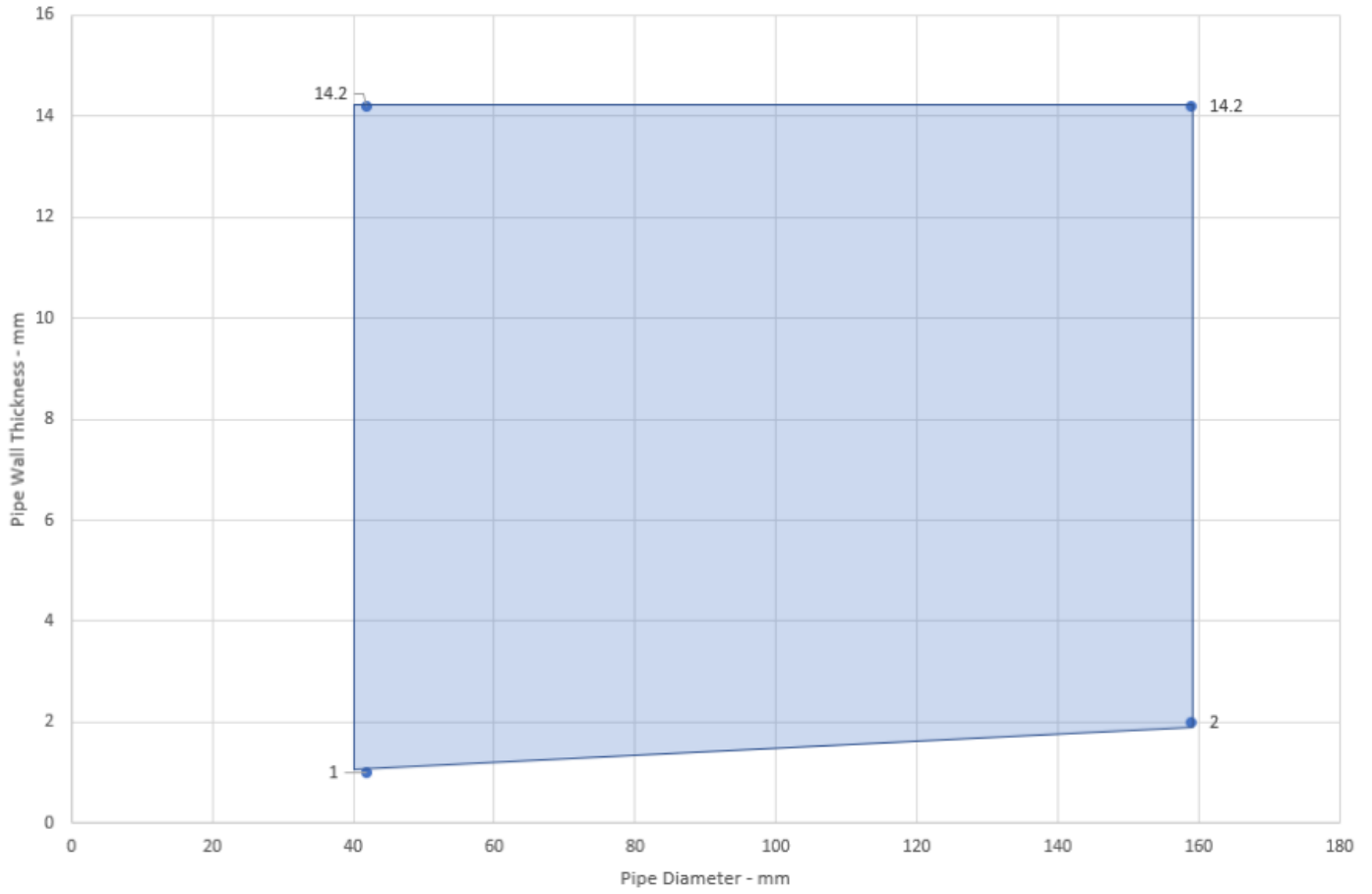
- Double layer of Astro Batt and Coating (50mm) installed internally within the wall.
- Max. Aperture size 2600mm wide x 2600mm high



Service(s)	Classification
Steel or Copper Pipe 42-159mm Ø, 1.0mm – 14.2mm wall thickness. 25mm thick foil faced glassfibre insulation min. 30kg/m ³ (C/S)	E 60 C/U EI 45 C/U
Steel or Copper Pipe 42mm Ø, 1mm – 14.2mm wall thickness. 25mm thick foil faced glassfibre insulation min. 30kg/m ³ (C/S)	E 60 C/U EI 60 C/U

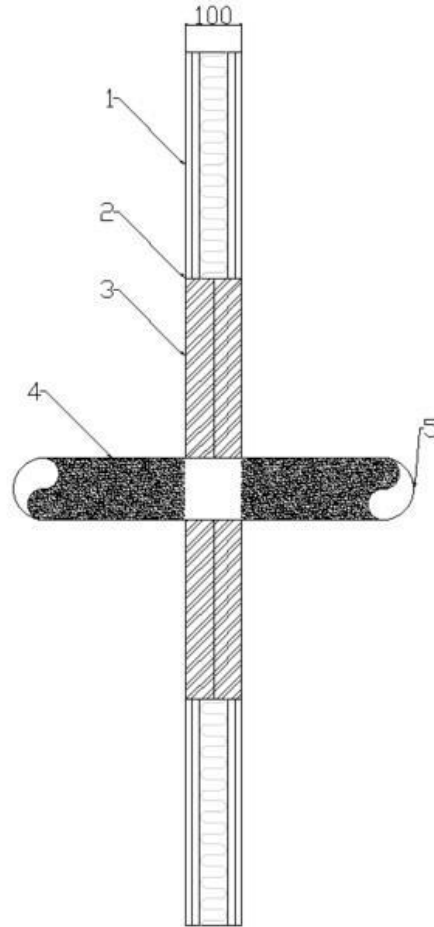
Permitted Pipe Diameter vs Pipe Wall Thickness as graph below.

Permitted Pipe Diameter vs Pipe Wall Thickness



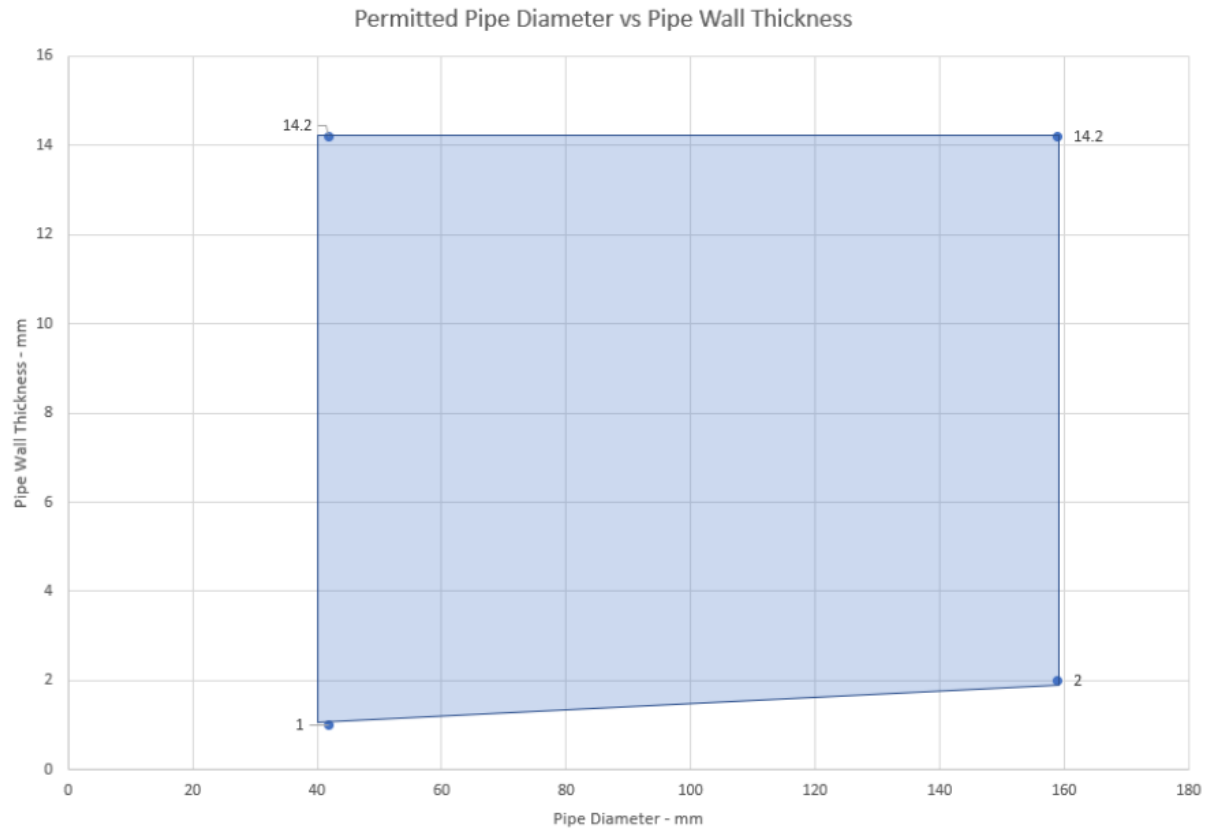
Construction details:

- Double layer of Astro Batt and Coating (50mm) installed internally within the wall.
- Max. Aperture size 730mm wide x 1200mm high



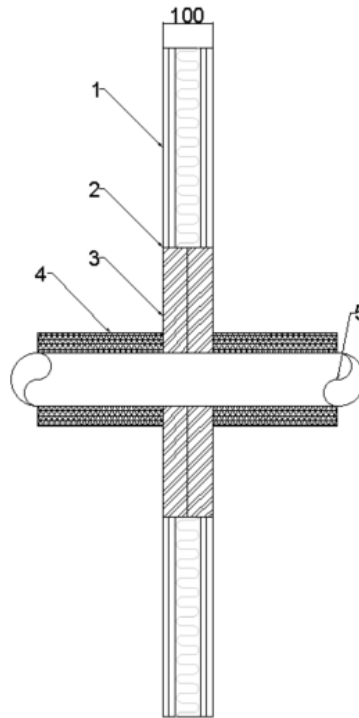
Service(s)	Classification
Steel or Copper Pipe 42-159mm Ø, 1.0mm – 14.2mm wall thickness 40mm thick foil faced stonewool insulation min. 40kg/m ³ (L/I 400mm)	EI 45 C/U
Steel 42-324mm Ø, 16mm wall thickness. 40mm thick foil faced stonewool insulation min. 40kg/m ³ (L/I 400mm)	EI 45 C/U
Steel 42-324mm Ø, 16mm wall thickness. 40mm thick foil faced stonewool insulation min. 40kg/m ³ (C/I)	EI 60 C/U
Steel or Copper Pipe 42mm Ø, 1.0mm – 14.2mm wall thickness Astro PST Coating along the penetration 2mm DFT (L/I 300mm)	E 120 C/U EI 45 C/U
Steel or Copper Pipe 42-159mm Ø, 1.0mm – 14.2mm wall thickness Astro PST Coating along the penetration 2mm DFT (L/I 300mm)	E 120 C/U EI 20 C/U
Steel 42-324mm Ø, 16mm wall thickness. 14.2mm wall thickness Astro PST Coating along the penetration 2mm DFT (L/I 300mm)	E 120 C/U EI 45 C/U

Permitted Pipe Diameter vs Pipe Wall Thickness as graph below.



Construction details:

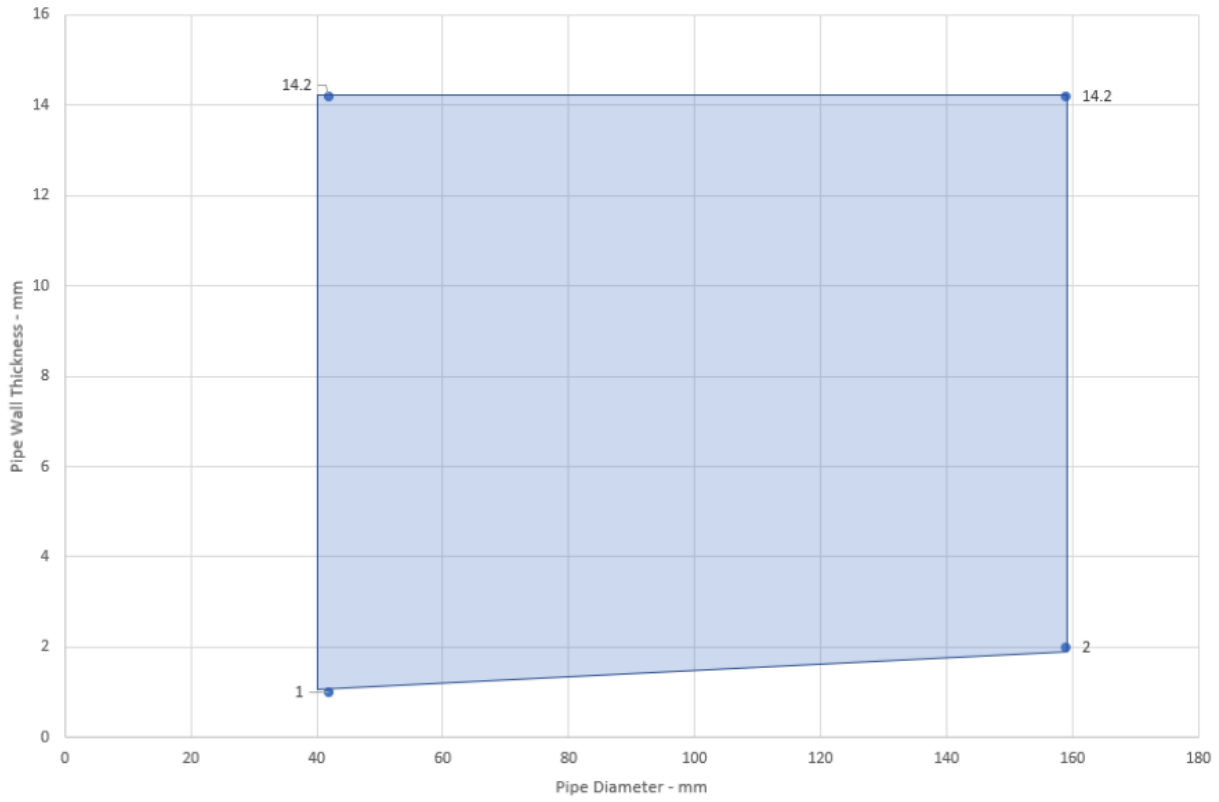
- Double layer of Astro Batt and Coating (50mm) installed internally within the wall.
- Max. Aperture size 2600mm wide x 2600mm high



Service(s)	Classification
Steel or Copper Pipe 42-159mm Ø, 1.0mm – 14.2mm wall thickness 40mm thick foil faced stonewool insulation min. 40kg/m ³ (L/I 400mm)	EI 45 C/U
Steel 42-324mm Ø, 16mm wall thickness. 40mm thick foil faced stonewool insulation min. 40kg/m ³ (L/I 400mm)	EI 45 C/U
Steel 42-324mm Ø, 16mm wall thickness. 40mm thick foil faced stonewool insulation min. 40kg/m ³ (C/I)	EI 60 C/U
Steel or Copper Pipe 42mm Ø, 1.0mm – 14.2mm wall thickness Astro PST Coating along the penetration 2mm DFT (L/I 300mm)	E 60 C/U EI 45 C/U
Steel or Copper Pipe 42-159mm Ø, 1.0mm – 14.2mm wall thickness Astro PST Coating along the penetration 2mm DFT (L/I 300mm)	E 60 C/U EI 20 C/U
Steel 42-324mm Ø, 16mm wall thickness. 14.2mm wall thickness Astro PST Coating along the penetration 2mm DFT (L/I 300mm)	E 60 C/U EI 45 C/U

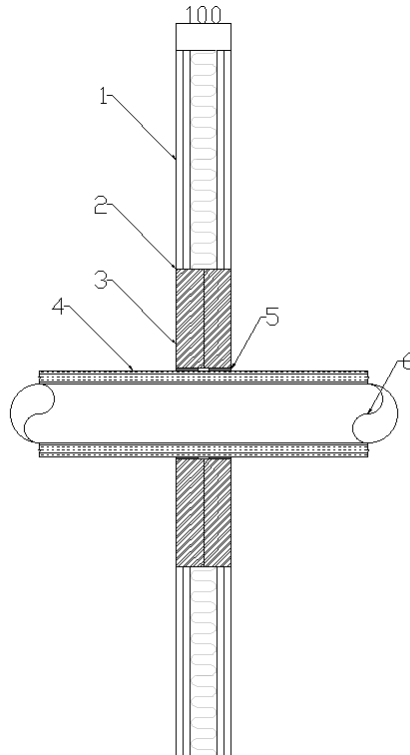
Permitted Pipe Diameter vs Pipe Wall Thickness as graph below.

Permitted Pipe Diameter vs Pipe Wall Thickness



Construction details:

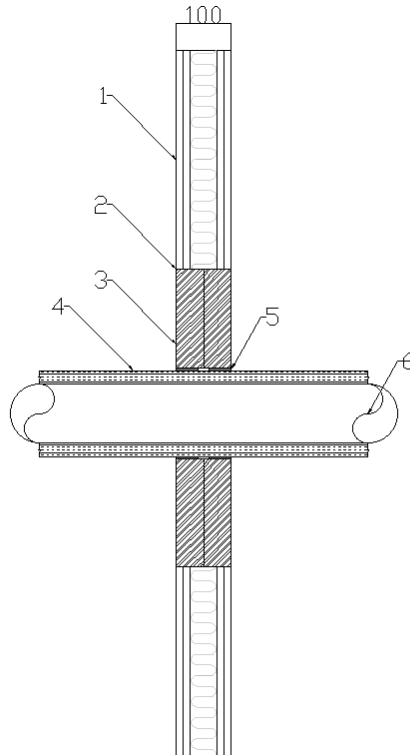
- Double layer of Astro Batt and Coating (50mm) installed internally within the wall.
- Max. Aperture size 730mm wide x 1200mm high
- 2 x 2mm thick layers of Astro X series CE pipe Wrap UL / Astro X series CE pipe Wrap installed both sides of the Astro Batt and Coating
- Equivalent elastomeric pipe insulation classified BL – s2, d0 or better to EN 13501-1
- Equivalent Phenolic foam pipe insulation classified BL – s1, d0 or better to EN 13501-1



Service(s)	Classification
Steel or Copper Pipe 42-159mm Ø, 1.2mm – 14.2mm wall thickness. 13-25mm thick K Flex ST2 Insulation (C/S)	E 120 C/U EI 60 C/U
Steel or Copper Pipe 42mm Ø, 1 – 14.2mm wall thickness. 25-13mm thick K Flex ST2 insulation (C/S)	E 120 C/U EI 90 C/U
Steel or Copper Pipe 42-108mm Ø, 1.2 – 14.2mm wall thickness. 25 -40mm thick Kingspan Kooltherm FM3 insulation (C/S)	E 120 C/U EI 60 C/U
Steel or Copper Pipe 42mm Ø, 1–14.2mm wall thickness. 25 -40mm thick Kingspan Kooltherm FM insulation (C/S)	E 120 C/U EI 90 C/U
Steel or Copper Pipe 42mm Ø, 1.0–14.2mm wall thickness. 50mm thick glassfibre insulation (C/S)	E 120 C/U EI 90 C/U
Steel or Copper Pipe 42-159mm Ø, 1.2mm – 14.2mm wall thickness. 13-25mm thick K Flex ST2 Insulation (C/S)	E 120 C/U EI 60 C/U

Construction details:

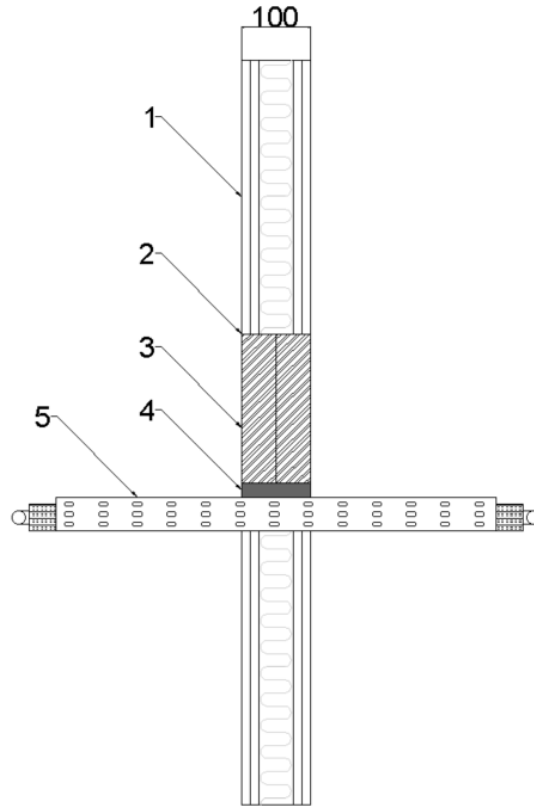
- Double layer of Astro Batt and Coating (50mm) installed internally within the wall.
- Max. Aperture size 2600mm wide x 2600mm high
- 2 x 2mm thick layers of Astro X series CE pipe Wrap UL / Astro X series CE pipe Wrap installed both sides of the Astro Batt and Coating
- Equivalent elastomeric pipe insulation classified BL – s2, d0 or better to EN 13501-1
- Equivalent Phenolic foam pipe insulation classified BL – s1, d0 or better to EN 13501-1



Service(s)	Classification
Steel or Copper Pipe 42-159mm Ø, 1.2mm – 14.2mm wall thickness. 13-25mm thick K Flex ST2 Insulation (C/S)	EI 60 C/U
Steel or Copper Pipe 42mm Ø, 1 – 14.2mm wall thickness. 25-13mm thick K Flex ST2 insulation (C/S)	
Steel or Copper Pipe 42-108mm Ø, 1.2 – 14.2mm wall thickness. 25 -40mm thick Kingspan Kooltherm FM3 insulation (C/S)	
Steel or Copper Pipe 42mm Ø, 1–14.2mm wall thickness. 25 -40mm thick Kingspan Kooltherm FM insulation (C/S)	
Steel or Copper Pipe 42mm Ø, 1.0–14.2mm wall thickness. 50mm thick glassfibre insulation (C/S)	
Steel or Copper Pipe 42-159mm Ø, 1.2mm – 14.2mm wall thickness. 13-25mm thick K Flex ST2 Insulation (C/S)	

Construction details:

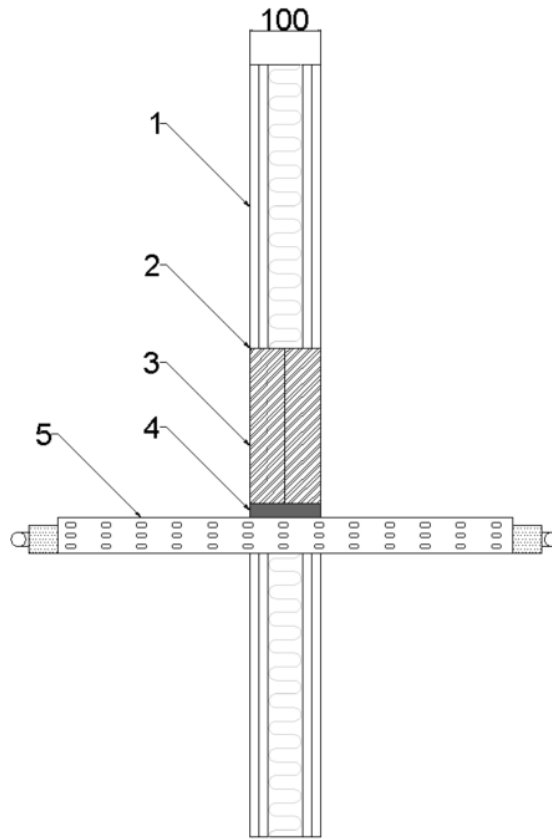
- Double layer of Astro Batt and Coating (50mm) installed internally within the wall.
- Max. Aperture size 730mm wide x 1200mm high
- Astro HPE Sealant 20mm annulus full 50mm depth of the Astro Batt and Coating
- Equivalent elastomeric pipe insulation classified BL – s2, d0 or better to EN 13501-1



Service(s)	Classification
6 off Steel or Copper Pipe 22mm Ø, 0.9mm – 14.2mm wall thickness. 19mm thick Armaflex (L/S 400mm)	EI 90 C/U
500 mm cable tray	E 90 C/U EI 15 C/U

Construction details:

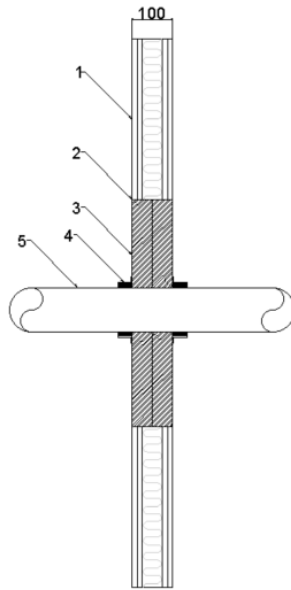
- Double layer of Astro Batt and Coating (50mm) installed internally within the wall.
- Max. Aperture size 2600mm wide x 2600mm high
- Zero distance to bottom of seal
- Astro HPE Sealant 20mm annulus full 50mm depth of the Astro Batt and Coating
- Equivalent elastomeric pipe insulation classified BL – s2, d0 or better to EN 13501-1



Service(s)	Classification
6 off Steel or Copper Pipe 22mm Ø, 0.9mm – 14.2mm wall thickness. 19mm thick Armaflex (L/S 400mm)	EI 60 C/U
500 mm cable tray	E 60 EI 15

B9 Astro Batt and Coating Penetration Seal in Flexible or Rigid Walls min. 100 mm thick**B9.1 Double Layer (50mm) Astro Batt and Coating Penetration Seal****B 9.1.1 Plastic Pipes****Construction details:**

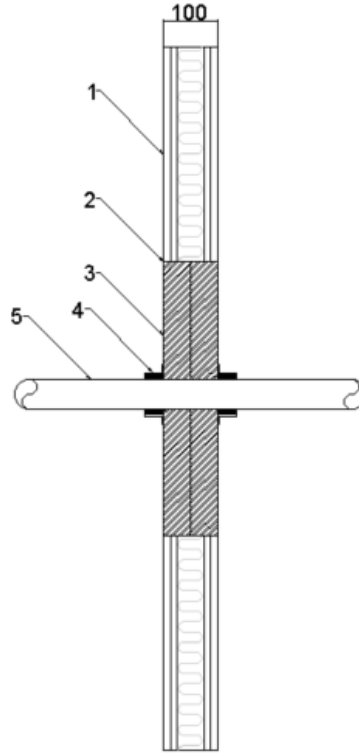
- Double layer of Astro Batt and Coating (50mm) Plastic Pipes
- Max. Aperture size 730mm wide x 1200mm high
- Penetrations positioned as per option 1 or 2 below, 0 mm distance between services and 50 mm to edge of seal.
- Collars secured both faces of the substrate utilizing 80mm long steel pig tail screw through to Astro Batt and Coating



Penetration Specification	Astro X series CE pipe Collar Ref	Classification
PVC Pipe 32mm Ø, 1.8mm wall thickness	32 mm	EI 120 U/C
PVC Pipe 40mm Ø, 1.8mm wall thickness	40 mm	
PVC Pipe 50mm Ø, 1.8mm wall thickness	50 mm	
PVC Pipe 55mm Ø, 1.8-2.3mm wall thickness	55 mm	
PVC Pipe 63mm Ø, 3.1-4.8mm wall thickness	63 mm	
PVC Pipe 75mm Ø, 3.1-4.8mm wall thickness	75 mm	
PVC Pipe 82mm Ø, 4.2-7.4mm wall thickness	82 mm	
PVC Pipe 90mm Ø, 4.2-7.4mm wall thickness	90 mm	
PVC Pipe 100mm Ø, 4.2-7.4mm wall thickness	100 mm	
PVC Pipe 110mm Ø, 6.1-7.5mm wall thickness	110 mm	

Construction details:

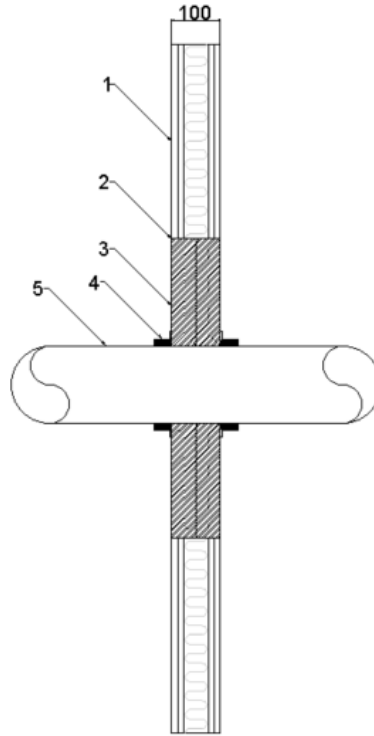
- Double layer of Astro Batt and Coating (50mm) Plastic Pipes
- Max. Aperture size 2600mm wide x 2600mm high
- Penetrations positioned as per option 1 or 2 below, 0 mm distance between services and 50 mm to edge of seal.
- Collars secured both faces of the substrate utilizing 80mm long steel pig tail screw through to Astro Batt and Coating



Penetration Specification	Astro X series CE pipe Collar Ref	Classification
PVC Pipe 32mm Ø, 1.8mm wall thickness	32 mm	EI 60 U/C
PVC Pipe 40mm Ø, 1.8mm wall thickness	40 mm	
PVC Pipe 50mm Ø, 1.8mm wall thickness	50 mm	
PVC Pipe 55mm Ø, 1.8-2.3mm wall thickness	55 mm	
PVC Pipe 63mm Ø, 3.1-4.8mm wall thickness	63 mm	
PVC Pipe 75mm Ø, 3.1-4.8mm wall thickness	75 mm	
PVC Pipe 82mm Ø, 4.2-7.4mm wall thickness	82 mm	
PVC Pipe 90mm Ø, 4.2-7.4mm wall thickness	90 mm	
PVC Pipe 100mm Ø, 4.2-7.4mm wall thickness	100 mm	
PVC Pipe 110mm Ø, 4.2-7.4mm wall thickness	110 mm	
PVC Pipe 125mm Ø, 6mm wall thickness	125 mm	
PVC Pipe 140mm Ø, 6.1-7.5mm wall thickness	140 mm	
PVC Pipe 160mm Ø, 6.2-9.5mm wall thickness	160 mm	

Construction details:

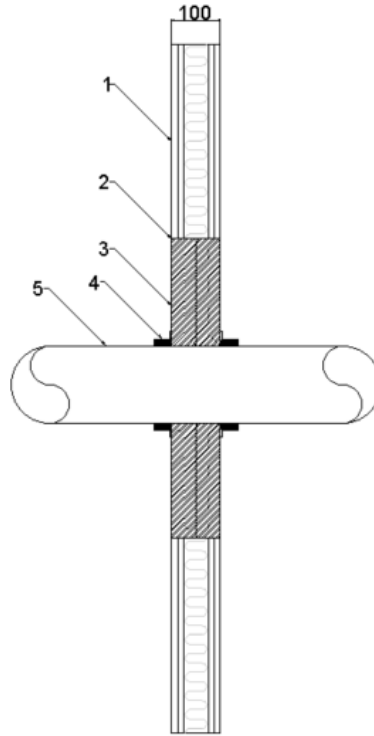
- Double layer of Astro Batt and Coating (50mm) Plastic Pipes
- Max. Aperture size 730mm wide x 1200mm high
- Penetrations positioned as per option 1 or 2 below, 0 mm distance between services and 50 mm to edge of seal.
- Collars secured both faces of the substrate utilizing 80mm long steel pig tail screw through to Astro Batt and Coating



Penetration Specification	Astro X series CE pipe Collar Ref	Classification
PVC Pipe 32mm Ø, 2.9mm wall thickness	32 mm	EI 120 U/C
PVC Pipe 40mm Ø, 2.9mm wall thickness	40 mm	
PVC Pipe 50mm Ø, 2.9mm wall thickness	50 mm	
PVC Pipe 55mm Ø, 2.9-4.4mm wall thickness	55 mm	
PVC Pipe 63mm Ø, 2.9-4.4mm wall thickness	63 mm	
PVC Pipe 75mm Ø, 2.8-6.7mm wall thickness	75 mm	
PVC Pipe 82mm Ø, 2.8-6.7mm wall thickness	82 mm	
PVC Pipe 90mm Ø, 2.7-10mm wall thickness	90 mm	
PVC Pipe 100mm Ø, 2.7-10mm wall thickness	100 mm	
PVC Pipe 110mm Ø, 2.7-10mm wall thickness	110 mm	
PVC Pipe 125mm Ø, 3.1mm wall thickness	125 mm	
PVC Pipe 140mm Ø, 3.5-8mm wall thickness	140 mm	
PVC Pipe 160mm Ø, 4-14.6mm wall thickness	160 mm	

Construction details:

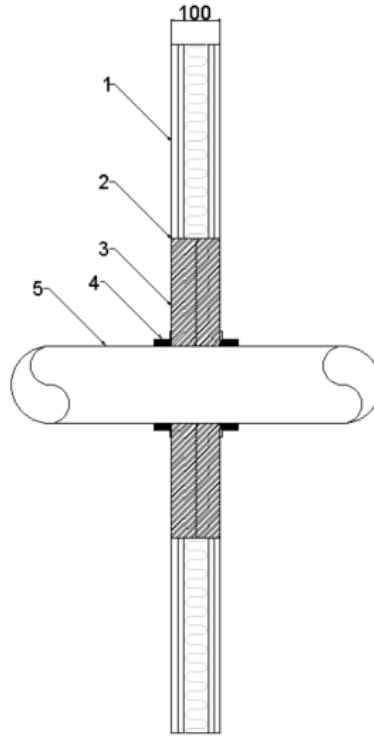
- Double layer of Astro Batt and Coating (50mm) Plastic Pipes
- Max. Aperture size 2600mm wide x 2600mm high
- Penetrations positioned as per option 1 or 2 below, 0 mm distance between services and 50 mm to edge of seal.
- Collars secured both faces of the substrate utilizing 80mm long steel pig tail screw through to Astro Batt and Coating



Penetration Specification	Astro X series CE pipe Collar Ref	Classification
PVC Pipe 32mm Ø, 2.9mm wall thickness	32 mm	EI 60 U/C
PVC Pipe 40mm Ø, 2.9mm wall thickness	40 mm	
PVC Pipe 50mm Ø, 2.9mm wall thickness	50 mm	
PVC Pipe 55mm Ø, 2.9-4.4mm wall thickness	55 mm	
PVC Pipe 63mm Ø, 2.9-4.4mm wall thickness	63 mm	
PVC Pipe 75mm Ø, 2.8-6.7mm wall thickness	75 mm	
PVC Pipe 82mm Ø, 2.8-6.7mm wall thickness	82 mm	
PVC Pipe 90mm Ø, 2.7-10mm wall thickness	90 mm	
PVC Pipe 100mm Ø, 2.7-10mm wall thickness	100 mm	
PVC Pipe 110mm Ø, 2.7-10mm wall thickness	110 mm	
PVC Pipe 125mm Ø, 3.1mm wall thickness	125 mm	
PVC Pipe 140mm Ø, 3.5-8mm wall thickness	140 mm	
PVC Pipe 160mm Ø, 4-14.6mm wall thickness	160 mm	

Construction details:

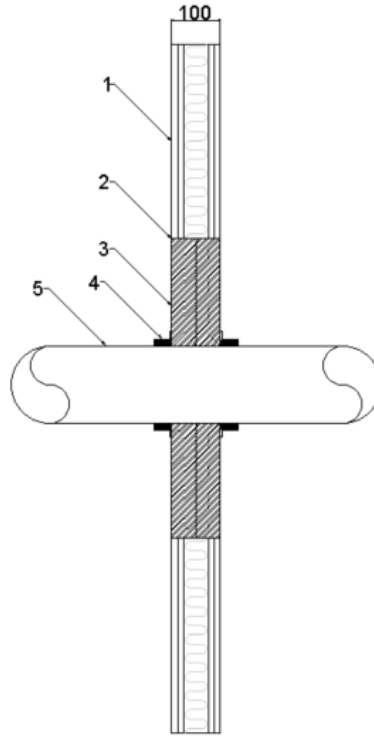
- Double layer of Astro Batt and Coating (50mm) Plastic Pipes
- Max. Aperture size 730mm wide x 1200mm high
- Penetrations positioned as per option 1 or 2 below, 0 mm distance between services and 50 mm to edge of seal.
- Collars secured both faces of the substrate utilizing 80mm long steel pig tail screw through to Astro Batt and Coating



Penetration Specification	Astro X series CE pipe Collar Ref	Classification
PVC Pipe 32mm Ø, 2.9mm wall thickness	32 mm	EI 120 U/C
PVC Pipe 40mm Ø, 2.9mm wall thickness	40 mm	
PVC Pipe 50mm Ø, 2.9mm wall thickness	50 mm	
PVC Pipe 55mm Ø, 2.9-4.4mm wall thickness	55 mm	
PVC Pipe 63mm Ø, 2.9-4.4mm wall thickness	63 mm	
PVC Pipe 75mm Ø, 2.8-6.7mm wall thickness	75 mm	
PVC Pipe 82mm Ø, 2.8-6.7mm wall thickness	82 mm	
PVC Pipe 90mm Ø, 2.7-10mm wall thickness	90 mm	
PVC Pipe 100mm Ø, 2.7-10mm wall thickness	100 mm	
PVC Pipe 110mm Ø, 2.7-10mm wall thickness	110 mm	
PVC Pipe 125mm Ø, 3.1mm wall thickness	125 mm	
PVC Pipe 140mm Ø, 3.5-8mm wall thickness	140 mm	
PVC Pipe 160mm Ø, 4-14.6mm wall thickness	160 mm	

Construction details:

- Double layer of Astro Batt and Coating (50mm) Plastic Pipes
- Max. Aperture size 2600mm wide x 2600mm high
- Penetrations positioned as per option 1 or 2 below, 0 mm distance between services and 50 mm to edge of seal.
- Collars secured both faces of the substrate utilizing 80mm long steel pig tail screw through to Astro Batt and Coating



Penetration Specification	Astro X series CE pipe Collar Ref	Classification
PVC Pipe 32mm Ø, 2.9mm wall thickness	32 mm	EI 60 U/C
PVC Pipe 40mm Ø, 2.9mm wall thickness	40 mm	
PVC Pipe 50mm Ø, 2.9mm wall thickness	50 mm	
PVC Pipe 55mm Ø, 2.9-4.4mm wall thickness	55 mm	
PVC Pipe 63mm Ø, 2.9-4.4mm wall thickness	63 mm	
PVC Pipe 75mm Ø, 2.8-6.7mm wall thickness	75 mm	
PVC Pipe 82mm Ø, 2.8-6.7mm wall thickness	82 mm	
PVC Pipe 90mm Ø, 2.7-10mm wall thickness	90 mm	
PVC Pipe 100mm Ø, 2.7-10mm wall thickness	100 mm	
PVC Pipe 110mm Ø, 2.7-10mm wall thickness	110 mm	
PVC Pipe 125mm Ø, 3.1mm wall thickness	125 mm	
PVC Pipe 140mm Ø, 3.5-8mm wall thickness	140 mm	
PVC Pipe 160mm Ø, 4-14.6mm wall thickness	160 mm	

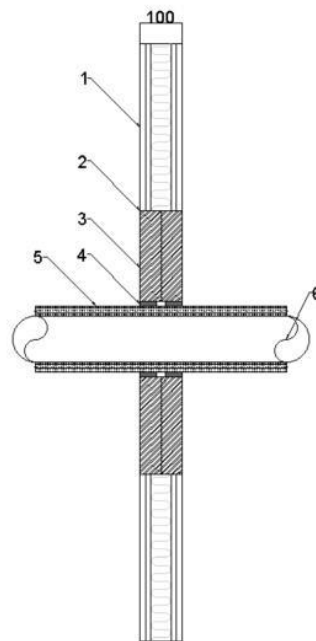
B10 Astro Batt and Coating Penetration Seal in Flexible or Rigid Walls min. 100 mm thick

B10.1 Double Layer (50mm) Astro Batt and Coating Penetration

Seal B 10.1.1 Insulated Plastic Pipes

Construction details:

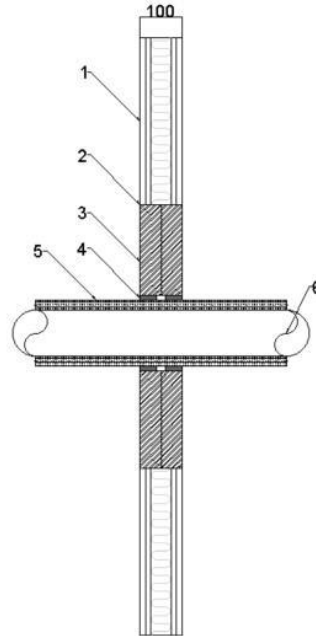
- Double layer of Astro Batt and Coating (50mm) Plastic Pipes
- Max. Aperture size 730mm wide x 1200mm high
- Penetrations positioned as per option 1 or 2 below, 0 mm distance between services and 50 mm to edge of seal.
- Astro X series CE pipe Wrap UL / Astro X series CE pipe Wrap secured internally within both faces of the Astro Batt and Coating
- Equivalent elastomeric pipe insulation classified BL – s2, d0 or better to EN 13501-1
- Equivalent Phenolic foam pipe insulation classified BL – s1, d0 or better to EN 13501-1



Penetration Specification	Astro X series CE pipe Wrap UL/ Astro X series CE pipe Wrap Ref	Classification
PVC Pipe 40mm Ø, 1.9mm wall thickness. 25 mm thick Kingspan Kooltherm FM insulation (C/S)	3x2 mm	E 120 U/C EI 90 U/C
PVC Pipe 40mm Ø, 3mm wall thickness. 15 mm thick Kingspan Kooltherm FM insulation (C/S)	3x2 mm	
PVC Pipe 110mm Ø, 4.2mm wall thickness. 25 mm thick Kingspan Kooltherm FM insulation (C/S)	5x2 mm	EI 120 U/C
PVC Pipe 110mm Ø, 6.6mm wall thickness. 20 mm thick Kingspan Kooltherm FM insulation (C/S)	5x2 mm	E 120 U/C EI 90 U/C
PVC Pipe 40mm Ø, 1.9mm wall thickness. 32 mm thick Armacell Armflex Class O (C/S)	3x2 mm	EI 120 U/C
PVC Pipe 40mm Ø, 3mm wall thickness. 9 mm thick Armacell Armflex Class O (C/S)	3x2 mm	
PVC Pipe 110mm Ø, 4.2mm wall thickness. 32 mm thick Armacell Armflex Class O (C/S)	5x2 mm	EI 120 U/C
PVC Pipe 110mm Ø, 6.6mm wall thickness. 13mm thick Armacell Armflex Class O (C/S)	5x2 mm	EI 120 U/C

Construction details:

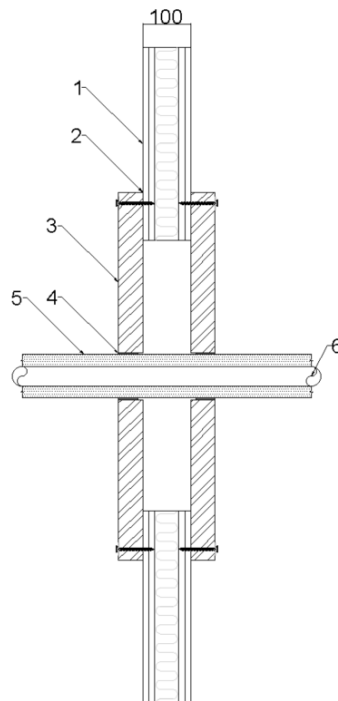
- Double layer of Astro Batt and Coating (50mm) Plastic Pipes
- Max. Aperture size 2600mm wide x 2600mm high
- Penetrations positioned as per option 1 or 2 below, 0 mm distance between services and 50 mm to edge of seal.
- Astro X series CE pipe Wrap UL / Astro X series CE pipe Wrap secured internally within both faces of the Astro Batt and Coating
- Equivalent elastomeric pipe insulation classified BL – s2, d0 or better to EN 13501-1
- Equivalent Phenolic foam pipe insulation classified BL – s1, d0 or better to EN 13501-1



Penetration Specification	Astro X series CE pipe Wrap UL/ Astro X series CE pipe Wrap Ref	Classification
PVC Pipe 40mm Ø, 1.9mm wall thickness. 25 mm thick Kingspan Kooltherm FM insulation (C/S)	3x2 mm	EI 60 U/C
PVC Pipe 40mm Ø, 3mm wall thickness. 15 mm thick Kingspan Kooltherm FM insulation (C/S)	3x2 mm	
PVC Pipe 110mm Ø, 4.2mm wall thickness. 25 mm thick Kingspan Kooltherm FM insulation (C/S)	5x2 mm	
PVC Pipe 110mm Ø, 6.6mm wall thickness. 20 mm thick Kingspan Kooltherm FM insulation (C/S)	5x2 mm	
PVC Pipe 40mm Ø, 1.9mm wall thickness. 32 mm thick Armacell Armflex Class O (C/S)	3x2 mm	
PVC Pipe 40mm Ø, 3mm wall thickness. 9 mm thick Armacell Armflex Class O (C/S)	3x2 mm	
PVC Pipe 110mm Ø, 4.2mm wall thickness. 32 mm thick Armacell Armflex Class O (C/S)	5x2 mm	
PVC Pipe 110mm Ø, 6.6mm wall thickness. 13mm thick Armacell Armflex Class O (C/S)	5x2 mm	

B11 Astro Batt and Coating Penetration Seal in Flexible or Rigid Walls min. 100 mm thick**B11.1 Single Layer Pattress (50mm) Astro Batt and Coating Penetration Seal****B 11.1.1 Insulated Metallic Pipes****Construction details:**

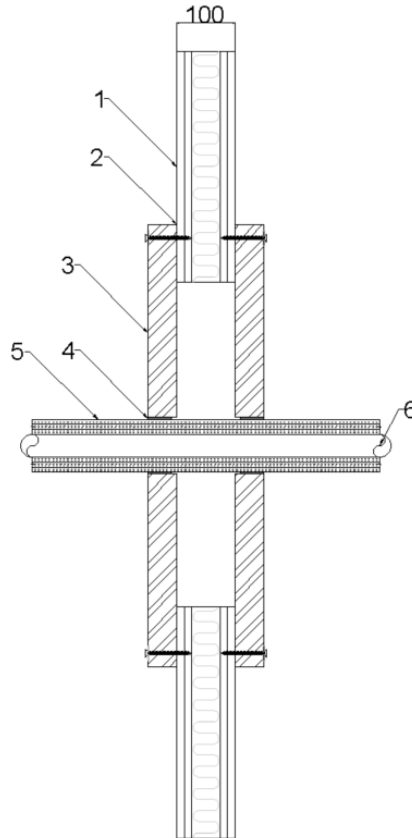
- Single layer of Astro Batt and Coating (50mm) Single layer pattress
- Max. Aperture size 730mm wide x 1200mm high
- Pattress installation of Astro Batt and Coating.
- The Batts are installed in horizontal rows and fixed in minimum two vertical edges. Overlap of batts to substrate min 100mm.
- Batts mechanically fixed to substrate with min 6mm x 80mm steel screws and steel retaining washer. Fixings installed at max 300mm centers.
- 2 x 2mm thick layers of Astro X series CE pipe Wrap UL / Astro X series CE pipe Wrap installed both sides of the substrate within the pattress installation.
- Equivalent elastomeric pipe insulation classified BL – s2, d0 or better to EN 13501-1
- Equivalent Phenolic foam pipe insulation classified BL – s1, d0 or better to EN 13501-1



Service(s)	Classification
Steel or Copper Pipe 42-159mm Ø, 1.2mm – 14.2mm wall thickness. 13-25mm thick K Flex ST Insulation (C/S)	E 120 C/U EI 60 C/U
Steel or Copper Pipe 42mm Ø, 1.2 – 14.2mm wall thickness. 13-25mm thick K Flex ST insulation (C/S)	E 120 C/U EI 90 C/U
Steel or Copper Pipe 42-108mm Ø, 1.2 – 14.2mm wall thickness. 25 -40mm thick Kingspan Kooltherm FM insulation (C/S)	E 120 C/U EI 60 C/U
Steel or Copper Pipe 42mm Ø, 1.2–14.2mm wall thickness. 25 -40mm thick Kingspan Kooltherm FM insulation (C/S)	E 120 C/U EI 90 C/U
Steel or Copper Pipe 42mm Ø, 1.2–14.2mm wall thickness. 50mm thick glassfibre insulation min. 30kg/m ³ (C/S)	E 120 C/U EI 90 C/U

Construction details:

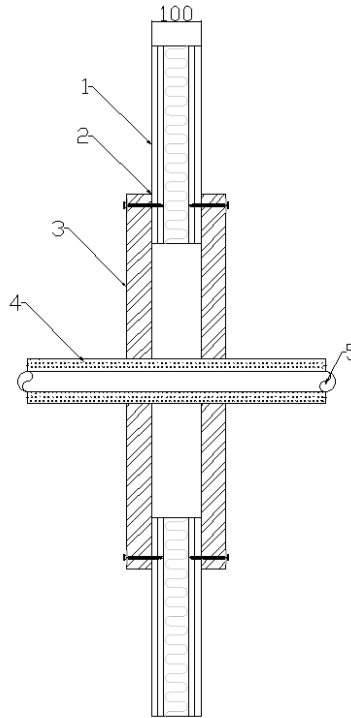
- Single layer of Astro Batt and Coating (50mm) Single layer pattress
- Max. Aperture size 2600mm wide x 2600mm high
- Pattress installation of Astro Batt and Coating.
- The Batts are installed in horizontal rows and fixed in minimum two vertical edges. Overlap of batts to substrate min 100mm.
- Batts mechanically fixed to substrate with min 6mm x 80mm steel screws and steel retaining washer. Fixings installed at max 300mm centers.
- 2 x 2mm thick layers of Astro X series CE pipe Wrap UL / Astro X series CE pipe Wrap installed both sides of the substrate within the pattress installation.
- Equivalent elastomeric pipe insulation classified BL – s2, d0 or better to EN 13501-1
- Equivalent Phenolic foam pipe insulation classified BL – s1, d0 or better to EN 13501-1



Service(s)	Classification
Steel or Copper Pipe 42-159mm Ø, 1.2mm – 14.2mm wall thickness. 13-25mm thick K Flex ST Insulation (C/S)	EI 60 C/U
Steel or Copper Pipe 42mm Ø, 1.2 – 14.2mm wall thickness. 13-25mm thick K Flex ST insulation (C/S)	
Steel or Copper Pipe 42-108mm Ø, 1.2 – 14.2mm wall thickness. 25 -40mm thick Kingspan Kooltherm FM insulation (C/S)	
Steel or Copper Pipe 42mm Ø, 1.2–14.2mm wall thickness. 25 -40mm thick Kingspan Kooltherm FM insulation (C/S)	
Steel or Copper Pipe 42mm Ø, 1.2–14.2mm wall thickness. 50mm thick glassfibre insulation min. 30kg/m ³ (C/S)	

Construction details:

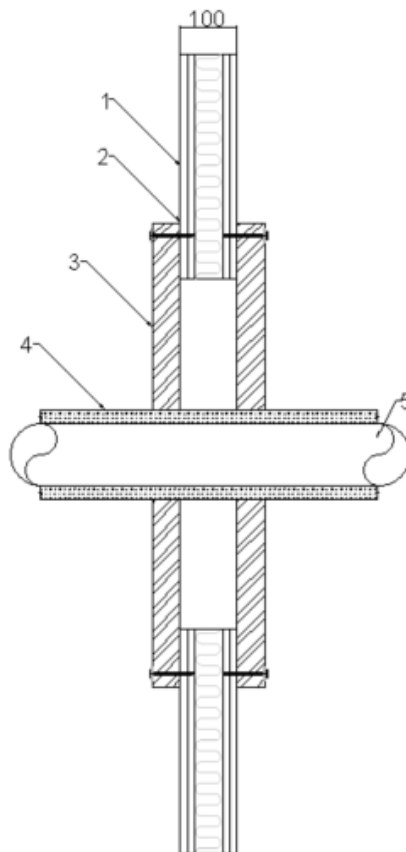
- Single layer of Astro Batt and Coating (50mm) Single layer pattress
- Max. Aperture size 730mm wide x 1200mm high
- pattress installation of Astro Batt and Coating.
- The Batts are installed in horizontal rows and fixed in minimum two vertical edges. Overlap of batts to substrate min 100mm.
- Batts mechanically fixed to substrate with min 6mm x 80mm steel screws and steel retaining washer. Fixings installed at max 300mm centers.



Service(s)	Classification
Steel or Copper Pipe 42-159mm Ø, 2mm – 14.2mm 25 mm thick foil faced glassfibre insulation min 30 kg/m ³	E 120 C/U EI 45 C/U
Steel or Copper Pipe 42mm Ø, 1mm – 14.2mm wall thickness. 25mm thick foil faced glassfibre insulation min. 30kg/m ³ (C/S)	E 120 C/U EI 60 C/U

Construction details:

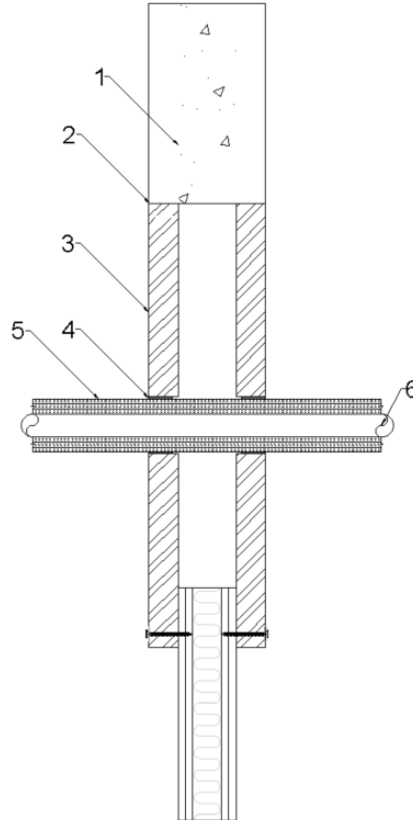
- Single layer of Astro Batt and Coating (50mm) Single layer pattress
- Max. Aperture size 2600mm wide x 2600mm high
- pattress installation of Astro Batt and Coating.
- The Batts are installed in horizontal rows and fixed in minimum two vertical edges. Overlap of batts to substrate min 100mm.
- Batts mechanically fixed to substrate with min 6mm x 80mm steel screws and steel retaining washer. Fixings installed at max 300mm centers.



Service(s)	Classification
Steel or Copper Pipe 42-159mm Ø, 2mm – 14.2mm 25 mm thick foil faced glassfibre insulation min 30 kg/m ³	E 60 C/U EI 45 C/U
Steel or Copper Pipe 42mm Ø, 1mm – 14.2mm wall thickness. 25mm thick foil faced glassfibre insulation min. 30kg/m ³ (C/S)	E 60 C/U EI 60 C/U

Construction details:

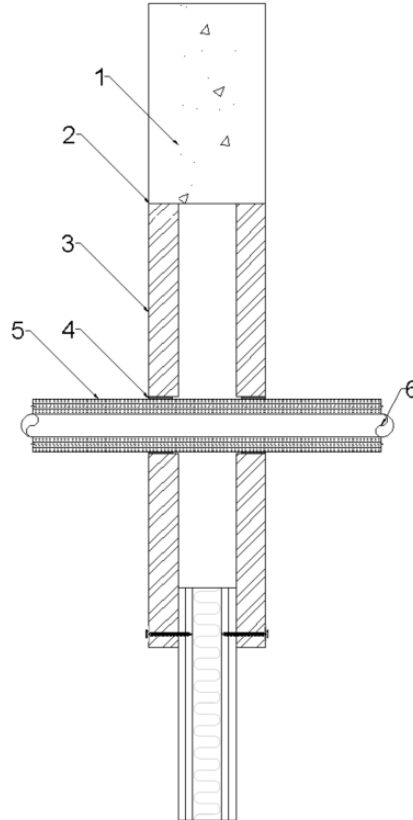
- Single layer of Astro Batt and Coating (50mm) Single layer pattress
- Max. Aperture size 730mm wide x 1200mm high
- 30 mm overlap pattress installed flush to soffit.
- The Batts are installed in horizontal rows and fixed in minimum two vertical edges. Overlap of batts to substrate min 100mm.
- Batts mechanically fixed to substrate with min 6mm x 80mm steel screws and steel retaining washer. Fixings installed at max 300mm centers.
- 2x 2mm thick layers of Astro X series CE pipe Wrap UL / Astro X series CE pipe Wrap installed both sides of the substrate within the pattress installation.
- Equivalent Phenolic foam pipe insulation classified BL – s1, d0 or better to EN 13501-1



Service(s)	Classification
Steel or Copper Pipe 42mm Ø, 1.0mm – 14.2mm wall thickness. 50mm thick Kingspan (C/S 400mm)	E 60 C/U EI 45 C/U

Construction details:

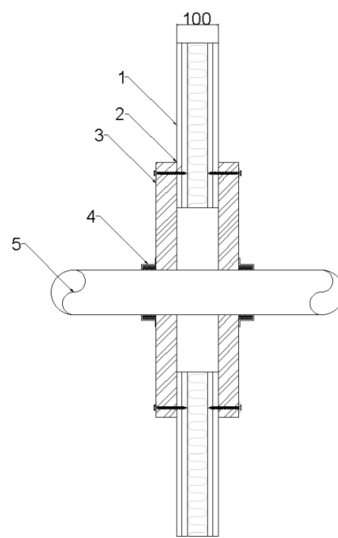
- Single layer of Astro Batt and Coating (50mm) Single layer pattress
- Max. Aperture size 2600mm wide x 2600mm high
- 30 mm overlap pattress installed flush to soffit.
- The Batts are installed in horizontal rows and fixed in minimum two vertical edges. Overlap of batts to substrate min 100mm.
- Batts mechanically fixed to substrate with min 6mm x 80mm steel screws and steel retaining washer. Fixings installed at max 300mm centers.
- 2x 2mm thick layers of Astro X series CE pipe Wrap UL / Astro X series CE pipe Wrap installed both sides of the substrate within the pattress installation.
- Equivalent Phenolic foam pipe insulation classified BL – s1, d0 or better to EN 13501-1



Service(s)	Classification
Steel or Copper Pipe 42mm Ø, 1.0mm – 14.2mm wall thickness. 50mm thick Kingspan (C/S 400mm)	EI 60 C/U

B12 Astro Batt and Coating Penetration Seal in Flexible or Rigid Walls min. 100 mm thick**B12.1 Single Layer Pattress (50mm) Astro Batt and Coating Penetration Seal****B 12.1.1 Plastic Pipes****Construction details:**

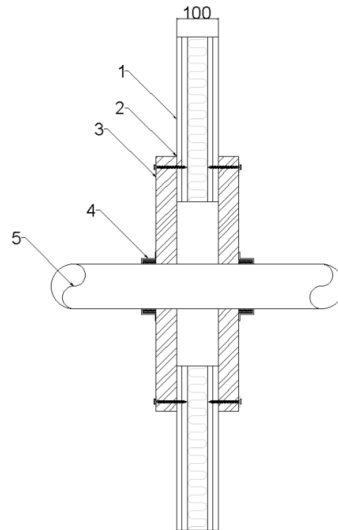
- Single layer of Astro Batt and Coating (50mm) Plastic Pipes
- Max. Aperture size 2600mm wide x 2600mm high
- Penetrations positioned as per option 1 or 2 below, 0mm distance between services and 50mm to edge of seal.
- pattress installation of Astro Batt and Coating. The Batts are installed in horizontal rows and fixed in minimum two vertical edges. Overlap of batts to substrate min 100mm. Batts mechanically fixed to substrate with min 6mm x 80mm steel screws and steel retaining washer. Fixings installed at max 300mm centers.
- Collars secured both faces of the substrate utilizing 80mm long pig tail screw through to the Astro Batt and Coating



Penetration Specification	Astro X series CE pipe Collar Ref	Classification
PVC Pipe 32mm Ø, 1.8mm wall thickness	32 mm	EI 60 U/C
PVC Pipe 40mm Ø, 1.8mm wall thickness	40 mm	
PVC Pipe 50mm Ø, 1.8mm wall thickness	50 mm	
PVC Pipe 55mm Ø, 1.8-2.3mm wall thickness	55 mm	
PVC Pipe 63mm Ø, 2.3-3mm wall thickness	63 mm	
PVC Pipe 75mm Ø, 3.1-4.8mm wall thickness	75 mm	
PVC Pipe 82mm Ø, 3.1-4.8mm wall thickness	82 mm	
PVC Pipe 90mm Ø, 4.2-7.4mm wall thickness	90 mm	
PVC Pipe 100mm Ø, 4.2-7.4mm wall thickness	100 mm	
PVC Pipe 110mm Ø, 4.2-7.4mm wall thickness	110 mm	
PVC Pipe 125mm Ø, 6mm wall thickness	125 mm	
PVC Pipe 140mm Ø, 6.1-7.5mm wall thickness	140 mm	
PVC Pipe 140mm Ø, 6.2-9.5mm wall thickness	160 mm	

Construction details:

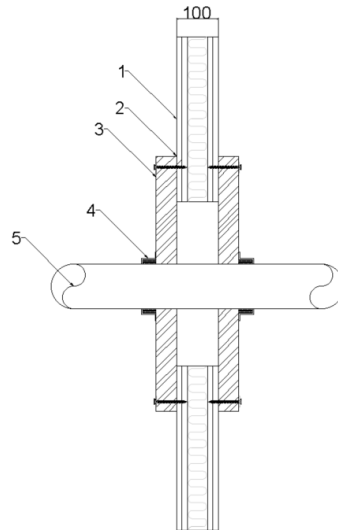
- Single layer of Astro Batt and Coating (50mm) Plastic Pipes
- Max. Aperture size 730mm wide x 1200mm high
- Penetrations positioned as per option 1 or 2 below, 0mm distance between services and 50mm to edge of seal.
- pattern installation of Astro Batt and Coating. The Batts are installed in horizontal rows and fixed in minimum two vertical edges. Overlap of batts to substrate min 100mm. Batts mechanically fixed to substrate with min 6mm x 80mm steel screws and steel retaining washer. Fixings installed at max 300mm centers.
- Collars secured both faces of the substrate utilizing 80mm long pig tail screw through to the Astro Batt and Coating



Penetration Specification	Astro X series CE pipe Collar Ref	Classification
PVC Pipe 32mm Ø, 1.8mm wall thickness	32 mm	EI 120 U/C
PVC Pipe 40mm Ø, 1.8mm wall thickness	40 mm	
PVC Pipe 50mm Ø, 1.8mm wall thickness	50 mm	
PVC Pipe 55mm Ø, 1.8-2.3mm wall thickness	55 mm	
PVC Pipe 63mm Ø, 2.3-3mm wall thickness	63 mm	
PVC Pipe 75mm Ø, 3.1-4.8mm wall thickness	75 mm	
PVC Pipe 82mm Ø, 3.1-4.8mm wall thickness	82 mm	
PVC Pipe 90mm Ø, 4.2-7.4mm wall thickness	90 mm	
PVC Pipe 100mm Ø, 4.2-7.4mm wall thickness	100 mm	
PVC Pipe 110mm Ø, 4.2-7.4mm wall thickness	110 mm	
PVC Pipe 125mm Ø, 6mm wall thickness	125 mm	
PVC Pipe 140mm Ø, 6.1-7.5mm wall thickness	140 mm	
PVC Pipe 140mm Ø, 6.2-9.5mm wall thickness	160 mm	

Construction details:

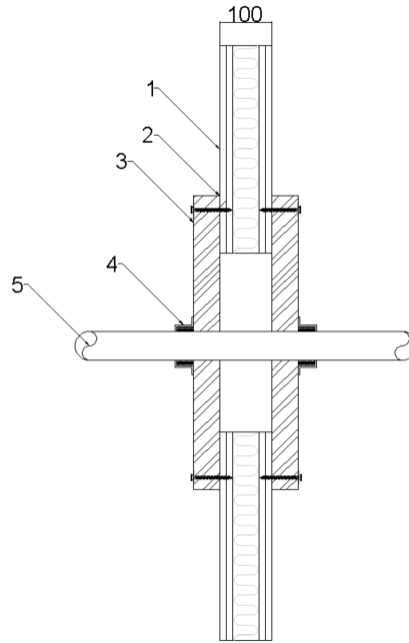
- Single layer of Astro Batt and Coating (50mm) Plastic Pipes
- Max. Aperture size 730mm wide x 1200mm high
- Penetrations positioned as per option 1 or 2 below, 0mm distance between services and 50mm to edge of seal.
- pattern installation of Astro Batt and Coating. The Batts are installed in horizontal rows and fixed in minimum two vertical edges. Overlap of batts to substrate min 100mm. Batts mechanically fixed to substrate with min 6mm x 80mm steel screws and steel retaining washer. Fixings installed at max 300mm centers.
- Collars secured both faces of the substrate utilizing 80mm long pig tail screw through to the Astro Batt and Coating



Penetration Specification	Astro X series CE pipe Collar Ref	Classification
PVC Pipe 32mm Ø, 2.9mm wall thickness	32 mm	EI 120 U/C
PVC Pipe 40mm Ø, 2.9mm wall thickness	40 mm	
PVC Pipe 50mm Ø, 2.9mm wall thickness	50 mm	
PVC Pipe 55mm Ø, 2.9-4.4mm wall thickness	55 mm	
PVC Pipe 63mm Ø, 2.9-4.4mm wall thickness	63 mm	
PVC Pipe 75mm Ø, 2.8-6.7mm wall thickness	75 mm	
PVC Pipe 82mm Ø, 2.8-6.7mm wall thickness	82 mm	
PVC Pipe 90mm Ø, 2.7-10mm wall thickness	90 mm	
PVC Pipe 100mm Ø, 2.7-10mm wall thickness	100 mm	
PVC Pipe 110mm Ø, 2.7-10mm wall thickness	110 mm	
PVC Pipe 125mm Ø, 3.1mm wall thickness	125 mm	
PVC Pipe 140mm Ø, 3.5-8mm wall thickness	140 mm	
PVC Pipe 140mm Ø, 4-14.6mm wall thickness	160 mm	

Construction details:

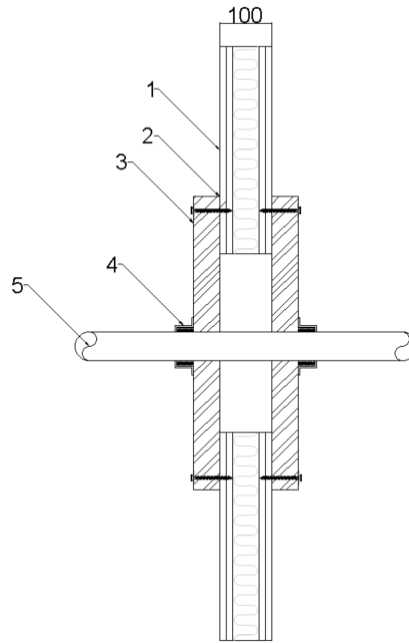
- Single layer of Astro Batt and Coating (50mm) Plastic Pipes
- Max. Aperture size 2600mm wide x 2600mm high
- Penetrations positioned as per option 1 or 2 below, 0mm distance between services and 50mm to edge of seal.
- pattern installation of Astro Batt and Coating. The Batts are installed in horizontal rows and fixed in minimum two vertical edges. Overlap of batts to substrate min 100mm. Batts mechanically fixed to substrate with min 6mm x 80mm steel screws and steel retaining washer. Fixings installed at max 300mm centers.
- Collars secured both faces of the substrate utilizing 80mm long pig tail screw through to the Astro Batt and Coating



Penetration Specification	Astro X series CE pipe Collar Ref	Classification
PVC Pipe 32mm Ø, 2.9mm wall thickness	32 mm	EI 60 U/C
PVC Pipe 40mm Ø, 2.9mm wall thickness	40 mm	
PVC Pipe 50mm Ø, 2.9mm wall thickness	50 mm	
PVC Pipe 55mm Ø, 2.9-4.4mm wall thickness	55 mm	
PVC Pipe 63mm Ø, 2.9-4.4mm wall thickness	63 mm	
PVC Pipe 75mm Ø, 2.8-6.7mm wall thickness	75 mm	
PVC Pipe 82mm Ø, 2.8-6.7mm wall thickness	82 mm	
PVC Pipe 90mm Ø, 2.7-10mm wall thickness	90 mm	
PVC Pipe 100mm Ø, 2.7-10mm wall thickness	100 mm	
PVC Pipe 110mm Ø, 2.7-10mm wall thickness	110 mm	
PVC Pipe 125mm Ø, 3.1mm wall thickness	125 mm	
PVC Pipe 140mm Ø, 3.5-8mm wall thickness	140 mm	
PVC Pipe 140mm Ø, 4-14.6mm wall thickness	160 mm	

Construction details:

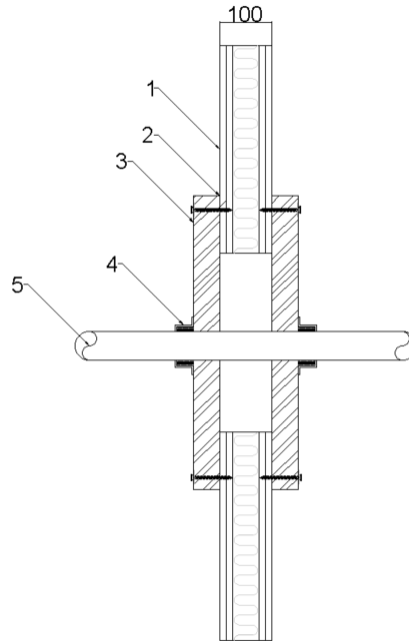
- Single layer of Astro Batt and Coating (50mm) Plastic Pipes
- Max. Aperture size 730mm wide x 1200mm high
- Penetrations positioned as per option 1 or 2 below, 0mm distance between services and 50mm to edge of seal.
- pattress installation of Astro Batt and Coating. The Batts are installed in horizontal rows and fixed in minimum two vertical edges. Overlap of batts to substrate min 100mm. Batts mechanically fixed to substrate with min 6mm x 80mm steel screws and steel retaining washer. Fixings installed at max 300mm centers.
- Collars secured both faces of the substrate utilizing 80mm long pig tail screw through to the Astro Batt and Coating



Penetration Specification	Astro X series CE pipe Collar Ref	Classification
PVC Pipe 32mm Ø, 2.9mm wall thickness	32 mm	EI 120 U/C
PVC Pipe 40mm Ø, 2.9mm wall thickness	40 mm	
PVC Pipe 50mm Ø, 2.9mm wall thickness	50 mm	
PVC Pipe 55mm Ø, 2.9-4.4mm wall thickness	55 mm	
PVC Pipe 63mm Ø, 2.9-4.4mm wall thickness	63 mm	
PVC Pipe 75mm Ø, 2.8-6.7mm wall thickness	75 mm	
PVC Pipe 82mm Ø, 2.8-6.7mm wall thickness	82 mm	
PVC Pipe 90mm Ø, 2.7-10mm wall thickness	90 mm	
PVC Pipe 100mm Ø, 2.7-10mm wall thickness	100 mm	
PVC Pipe 110mm Ø, 2.7-10mm wall thickness	110 mm	
PVC Pipe 125mm Ø, 3.1mm wall thickness	125 mm	
PVC Pipe 140mm Ø, 3.9-5.8mm wall thickness	140 mm	
PVC Pipe 140mm Ø, 4.9-9.5mm wall thickness	160 mm	

Construction details:

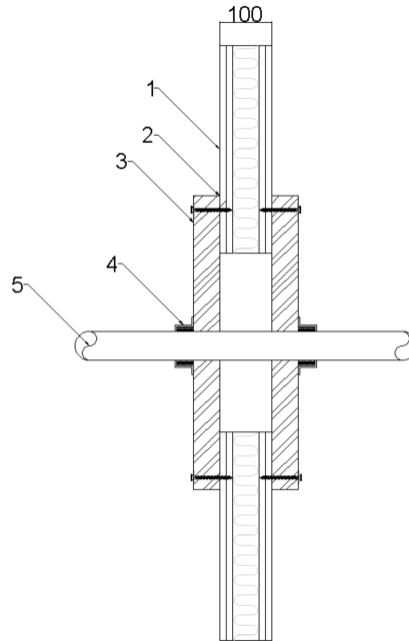
- Single layer of Astro Batt and Coating (50mm) Plastic Pipes
- Max. Aperture size 2600mm wide x 2600mm high
- Penetrations positioned as per option 1 or 2 below, 0mm distance between services and 50mm to edge of seal.
- pattern installation of Astro Batt and Coating. The Batts are installed in horizontal rows and fixed in minimum two vertical edges. Overlap of batts to substrate min 100mm. Batts mechanically fixed to substrate with min 6mm x 80mm steel screws and steel retaining washer. Fixings installed at max 300mm centers.
- Collars secured both faces of the substrate utilizing 80mm long pig tail screw through to the Astro Batt and Coating



Penetration Specification	Astro X series CE pipe Collar Ref	Classification
PVC Pipe 32mm Ø, 2.9mm wall thickness	32 mm	EI 60 U/C
PVC Pipe 40mm Ø, 2.9mm wall thickness	40 mm	
PVC Pipe 50mm Ø, 2.9mm wall thickness	50 mm	
PVC Pipe 55mm Ø, 2.9-4.4mm wall thickness	55 mm	
PVC Pipe 63mm Ø, 2.9-4.4mm wall thickness	63 mm	
PVC Pipe 75mm Ø, 2.8-6.7mm wall thickness	75 mm	
PVC Pipe 82mm Ø, 2.8-6.7mm wall thickness	82 mm	
PVC Pipe 90mm Ø, 2.7-10mm wall thickness	90 mm	
PVC Pipe 100mm Ø, 2.7-10mm wall thickness	100 mm	
PVC Pipe 110mm Ø, 2.7-10mm wall thickness	110 mm	
PVC Pipe 125mm Ø, 3.1mm wall thickness	125 mm	
PVC Pipe 140mm Ø, 3.9-5.8mm wall thickness	140 mm	
PVC Pipe 140mm Ø, 4.9-9.5mm wall thickness	160 mm	

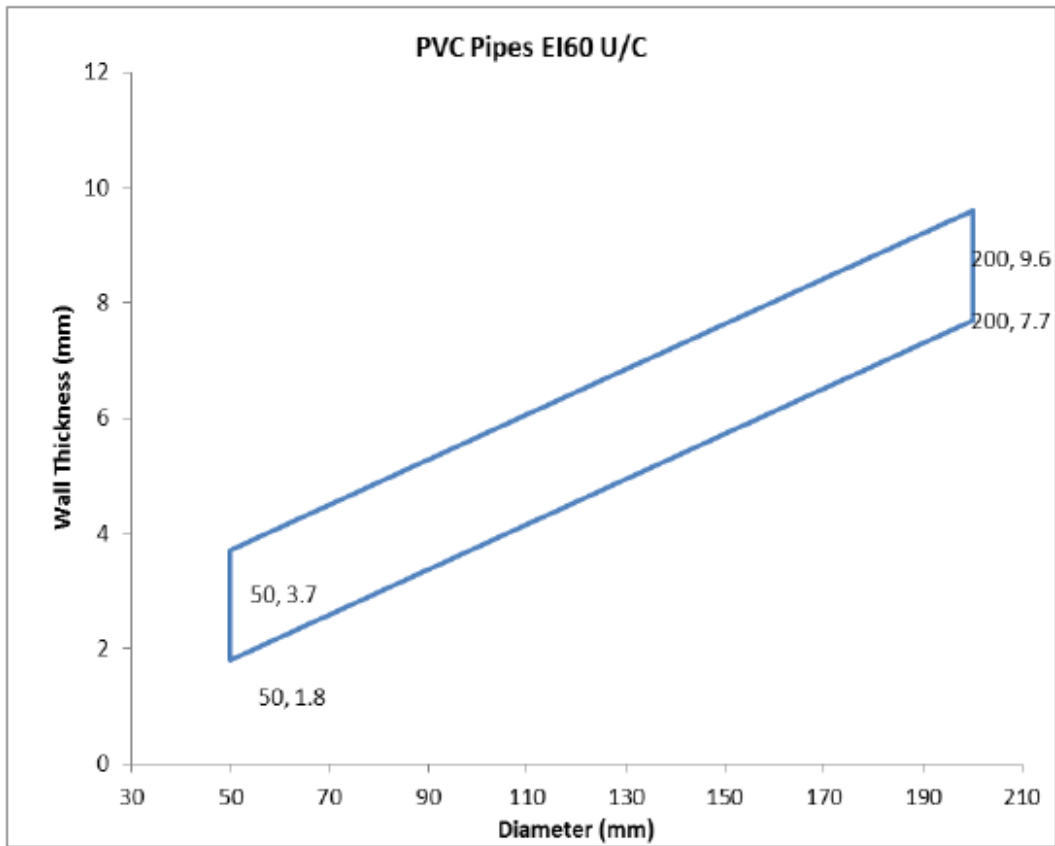
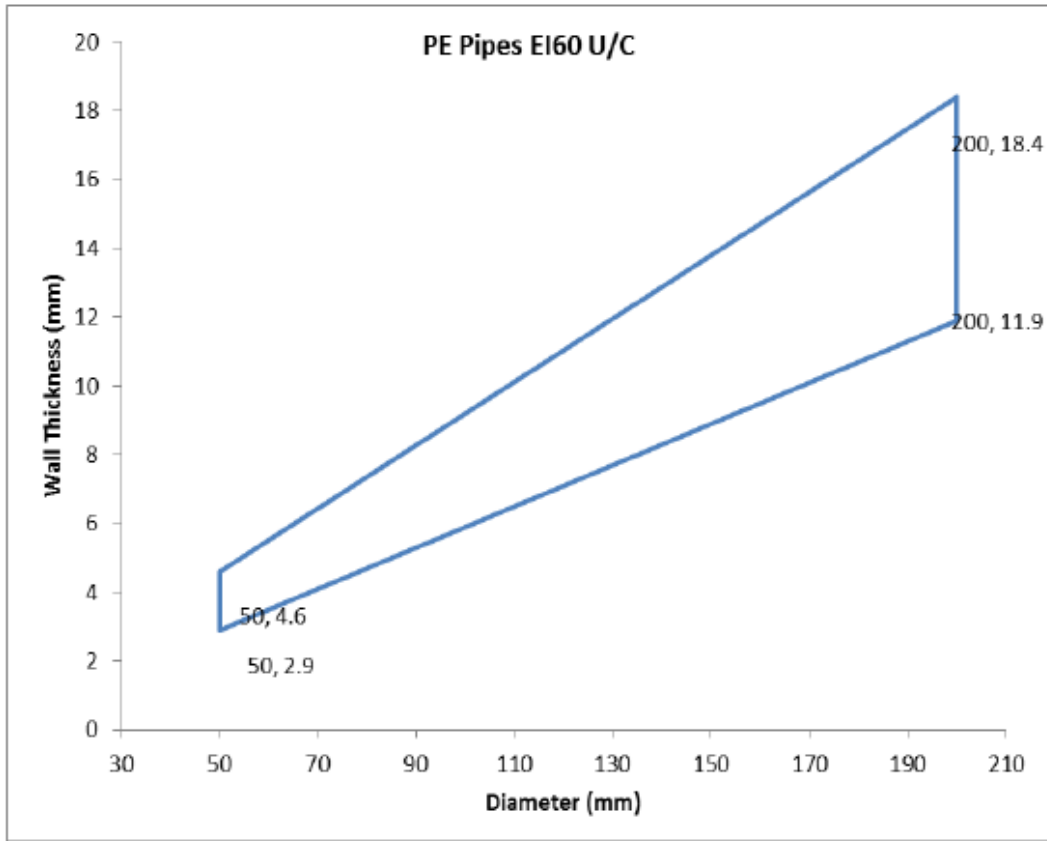
Construction details:

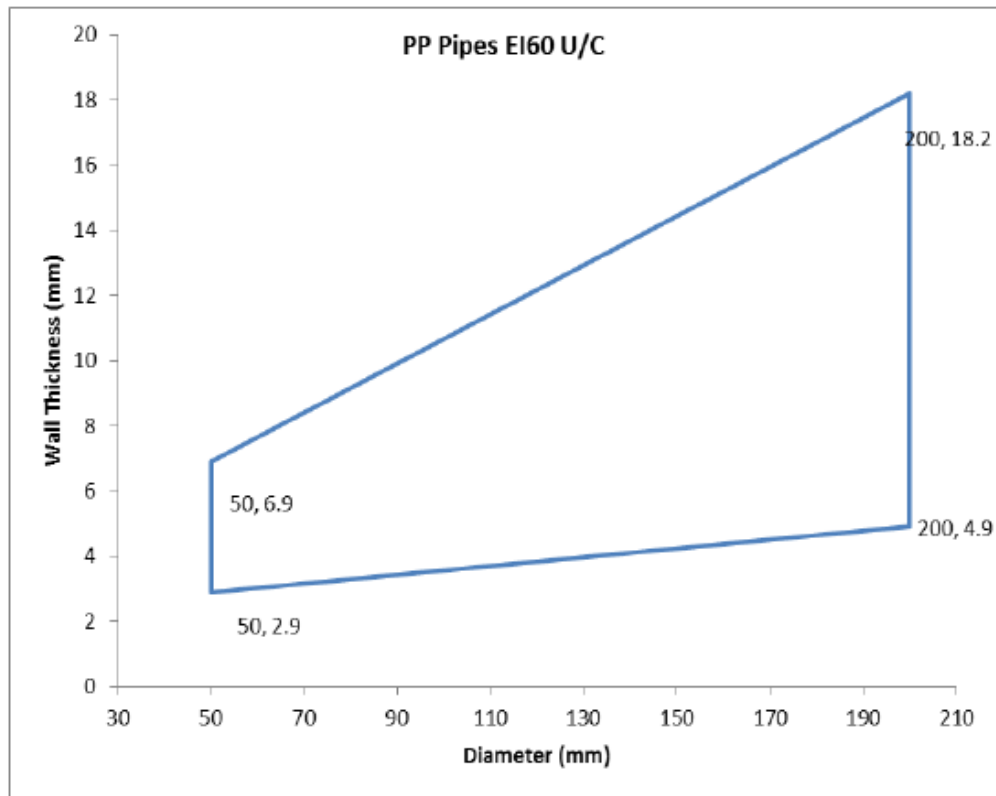
- Single layer of Astro Batt and Coating (50mm) Plastic Pipes
- Max. Aperture size 2600mm wide x 2600mm high
- Penetrations positioned as per option 1 or 2 below, 0mm distance between services and 50mm to edge of seal.
- patters installation of Astro Batt and Coating. The Batts are installed in horizontal rows and fixed in minimum two vertical edges. Overlap of batts to substrate min 100mm. Batts mechanically fixed to substrate with min 6mm x 80mm steel screws and steel retaining washer. Fixings installed at max 300mm centers.
- Collars secured both faces of the substrate utilizing 80mm long pig tail screw through to the Astro Batt and Coating



Scope and classification as below

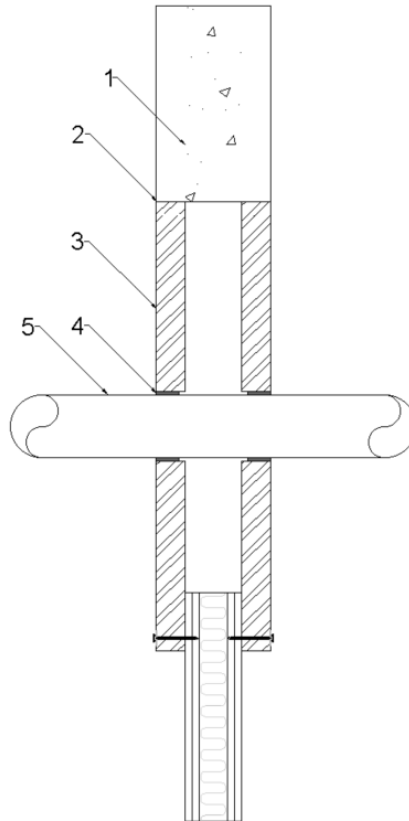
Intumescent Thickness	
Pipe Diameter	Intumescent Material
ø 32 mm - ø 50 mm	40 mm (W) x 2 mm (T)
ø 51 mm - ø 82 mm	40 mm (W) x 4 mm (T)
ø 83 mm - ø 115 mm	40 mm (W) x 6 mm (T)
ø 116 mm - ø 160 mm	40 mm (W) x 8 mm (T)
ø 161 mm - ø 200 mm	40 mm (W) x 10 mm (T)
ø 201 mm - ø 250 mm	40 mm (W) x 12 mm (T)





Construction details:

- Single layer of Astro Batt and Coating (50mm) Plastic Pipes
- Max. Aperture size 2600mm wide x 2600mm high
- 30 mm overlap pattress installed flush to soffit.
- Penetrations positioned as per option 1 or 2 below, 0mm distance between services and 50mm to edge of seal.
- pattress installation of Astro Batt and Coating. The Batts are installed in horizontal rows and fixed in minimum two vertical edges. Overlap of batts to substrate min 100mm. Batts mechanically fixed to substrate with min 6mm x 80mm steel screws and steel retaining washer. Fixings installed at max 300mm centers.
- Collars secured both faces of the substrate utilizing 80mm long pig tail screw through to the Astro Batt and Coating



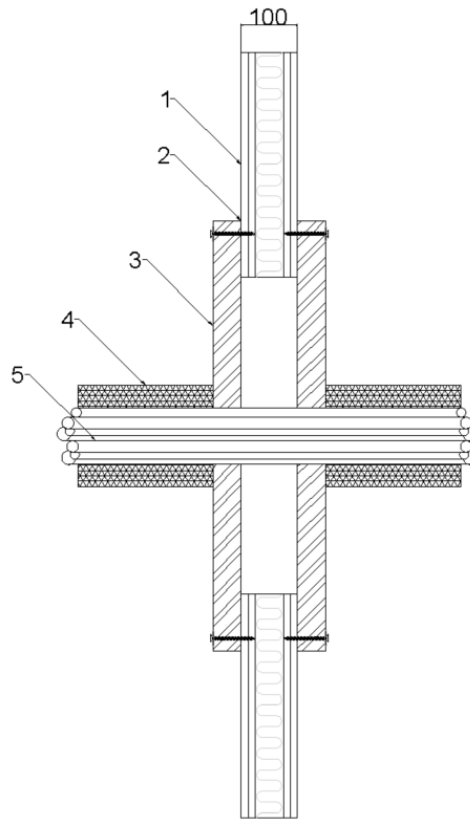
Service(s)	Classification
PVC Pipe 110mm Ø, 4.2mm wall thickness	EI 60 C/U

B13 Astro Batt and Coating Penetration Seal in Flexible or Rigid Walls min. 100 mm thick

B13.1 Single Layer Pattress (50mm) Astro Batt and Coating Penetration Seal B 13.1.1 Electrical Cables and Conduits

Construction details:

- Single layer of Astro Batt and Coating (50mm) Single layer pattress
- Max. Aperture size 750mm wide x 1200mm high
- pattress installation of Astro Batt and Coating.
- The Batts are installed in horizontal rows and fixed in minimum two vertical edges. Overlap of batts to substrate min 100mm.
- Batts mechanically fixed to substrate with min 6mm x 80mm steel screws and steel retaining washer. Fixings installed at max 300mm centers.
- Cables and cable trays wrapped with a single layer of 40mm thick, 40kg/m³ Stone wool (L/I 300mm)



Service(s)	Classification
Electrical cables up to 80mm dia	EI 120
Cable Tray and Ladders	
100 mm diameter bundle telecommunication cable type "F"	
Unsheathed electrical cables up to 24mm dia	
Steel or copper conduits up to 16 mm dia	
Plastic Conduits up to 16 mm dia	

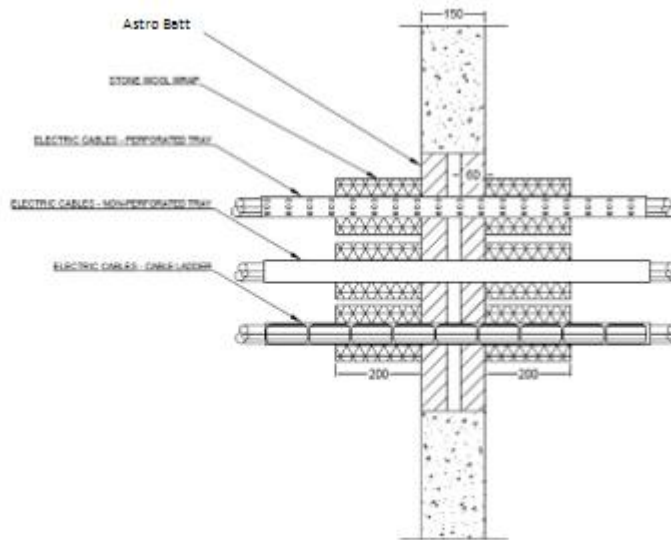
B14 Astro Batt and Coating Penetration Seal in Rigid Walls min. 150 mm thick

B14.1 Double Layer (50mm) Astro Batt and Coating Penetration Seal

B14.1.1 Cable Penetrations

Construction details:

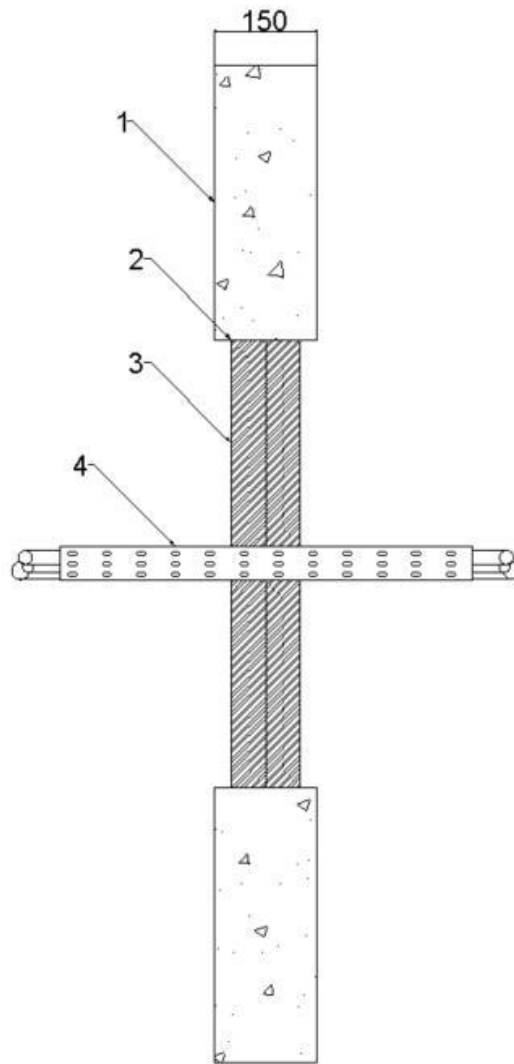
- Double layer of Astro Batt and Coating (50mm) installed internally within the wall.
- Max. Aperture size 700mm wide x 1100mm high
- Cables and cable trays wrapped with Stone Wool Insulation 45mm thick, 40Kg/m³ (L/I 200mm)
- First service support 400mm from both faces of the substrate



Service(s)	Classification
Electrical cables up to 21mm dia	EI 120
Electrical cables 22mm – 80mm dia	E120 EI90
Cable Trays and Ladders	EI 120
100 mm diameter bundle telecommunication cable type "F"	EI 120
Unsheathed electrical cables up to 24mm dia	EI 120

Construction details:

- Double layer of Astro Batt and Coating (50mm) installed internally within the wall.
- Max. Aperture size 750mm wide x 1100mm high
- First service support 250mm from both faces of the substrate



Service(s)	Classification
Electrical cables up to 21mm dia	E120 EI 90
Cable Tray	EI 60

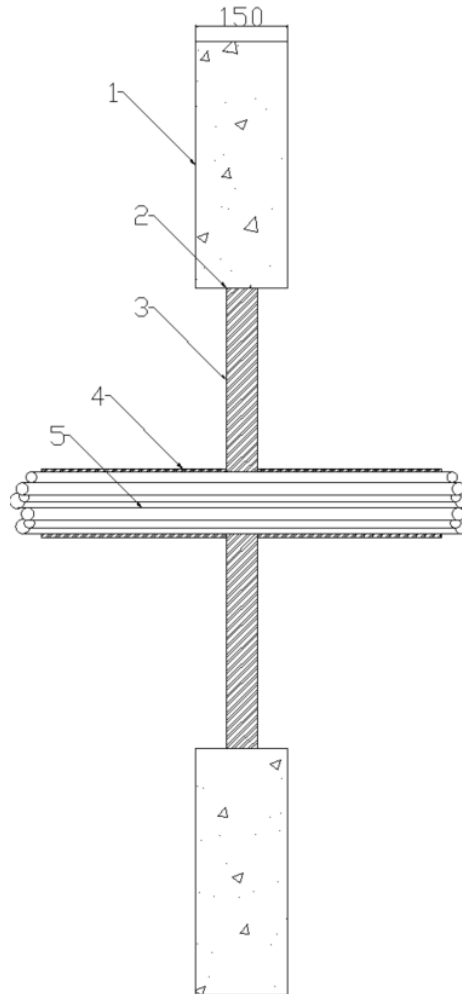
B15 Astro Batt and Coating Penetration Seal in Flexible or Rigid Walls min. 150 mm thick

B15.1 single Layer (50mm) Astro Batt and Coating Penetration

Seal B 15.1.1 Cable Penetrations

Construction details:

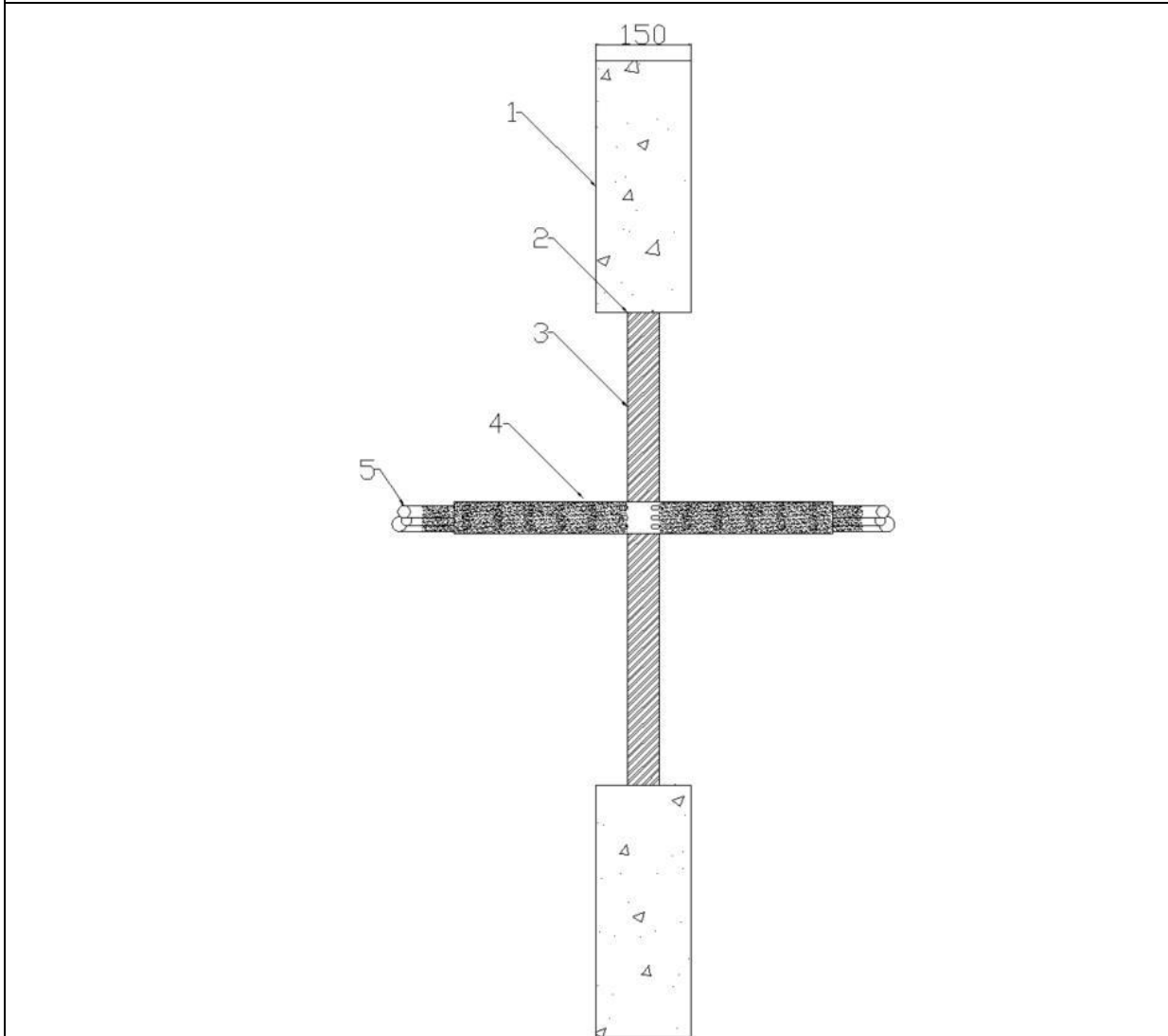
- Single layer of Astro Batt and Coating (50mm) installed internally within the wall.
- Max. Aperture size 750mm wide x 1100mm high
- Cables and cable trays wrapped with a single layer of 6mm thick Astro thermal defense wrap (L/I 300mm)



Service(s)	Classification
Electrical cables up to 80mm dia	EI 60
Cable Tray and Ladders	
100 mm diameter bundle telecommunication cable type "F"	
Unsheathed electrical cables up to 24mm dia	

Construction details:

- Single layer of Astro Batt and Coating (50mm) installed internally within the wall.
- Max. Aperture size 750mm wide x 1100mm high
- All cables coated with 2mm DFT PST Coating 300mm along the cables both sides of the seal



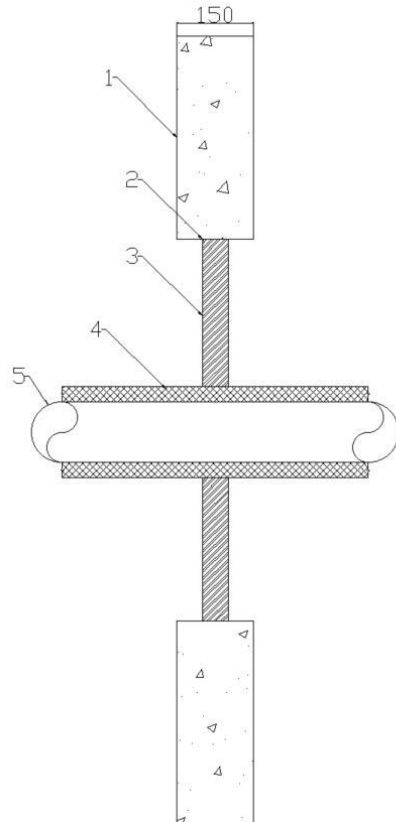
Service(s)	Classification
500 mm perforated cable tray	EI 30
Electrical cables up to 21mm dia	EI 45
1 off "C1" Cable	
1 off "C2" Cable	
1 off "C3" Cable	

B16 Astro Batt and Coating Penetration Seal in Flexible or Rigid Walls min. 150 mm thick

B16.1 Single Layer (50mm) Astro Batt and Coating Penetration Seal B 16.1.1 Insulated Metallic Pipes

Construction details:

- Single layer of Astro Batt and Coating (50mm) installed internally within the wall.
- Max. Aperture size 750mm wide x 1100mm high



Service(s)	Classification
Steel or Copper Pipe 108mm Ø, 1.5mm – 14.2mm Wall Thickness. (C/S) 40mm stone wool insulation (min 140Kg/m ³)	E60 C/U EI45 C/U
Steel or Copper Pipe 42mm Ø, 1.2mm – 14.2mm wall thickness. (L/I 300mm) 40mm stone wool insulation (min 40Kg/m ³)	EI45 C/U
Steel or Copper Pipe 42mm – 159mm Ø, 2mm – 14.2mm wall thickness. (L/I 300mm) 40mm stone wool insulation (min 40Kg/m ³)	E45 C/U EI20 C/U
Steel or Copper Pipe 42mm – 159mm Ø, 2mm – 14.2mm wall thickness. (C/I) 40mm stone wool insulation (min 40Kg/m ³)	E45 C/U EI30 C/U

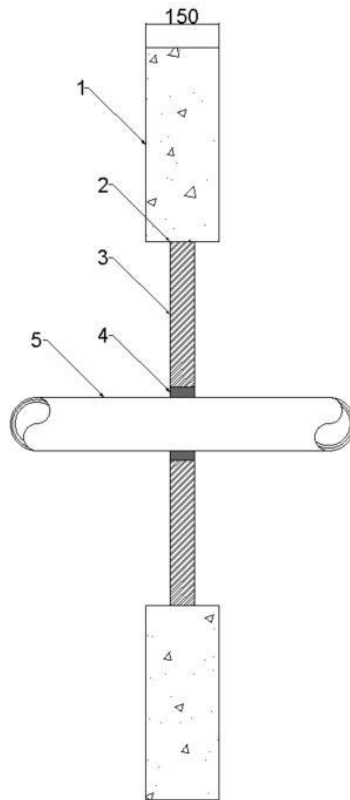
B17 Astro Batt and Coating Penetration Seal in Flexible or Rigid Walls min. 150 mm thick

B17.1 Single Layer (50mm) Astro Batt and Coating Penetration Seal

B 17.1.1 Plastic

Construction details:

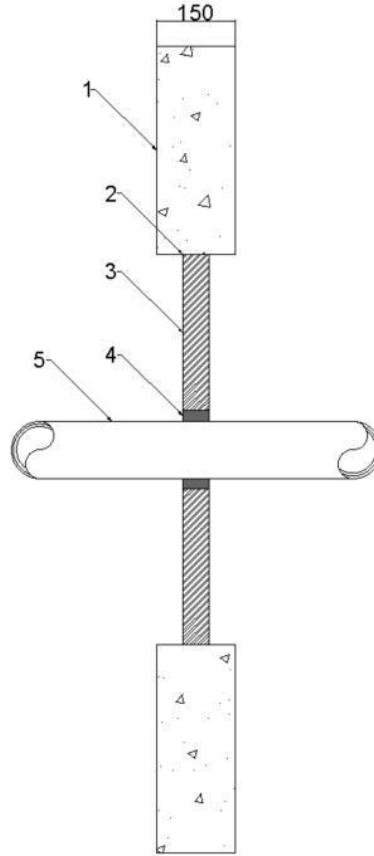
- Single layer of Astro Batt and Coating (50mm) installed internally within the wall.
- Max. Aperture size 750mm wide x 1100mm high
- Astro HPE Sealant 20mm annulus full 50mm depth of the Astro Batt and Coating



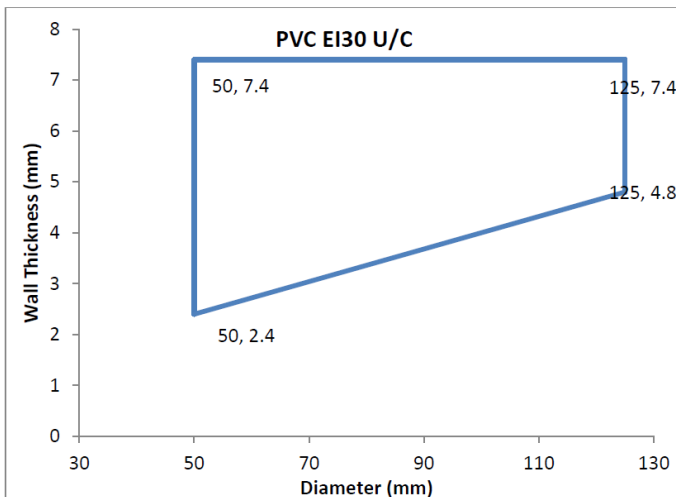
Service(s)	Classification
Uponor MLC (Multi-Layer Composite) Pipe 40mm \varnothing 4mm wall thickness	E 45 U/C EI 30 U/C
Uponor MLC (Multi-Layer Composite) Pipe 50mm \varnothing 4.5mm wall thickness	
Uponor MLC (Multi-Layer Composite) Pipe 63mm \varnothing 6mm wall thickness	
Uponor MLC (Multi-Layer Composite) Pipe 75mm \varnothing 7.5mm wall thickness	
Uponor MLC (Multi-Layer Composite) Pipe 90mm \varnothing 8.5mm wall thickness	
Uponor MLC (Multi-Layer Composite) Pipe 110mm \varnothing 10mm wall thickness	

Construction details:

- Single layer of Astro Batt and Coating (50mm) installed internally within the wall.
- Max. Aperture size 750mm wide x 1100mm high
- Astro HPE Sealant 20mm annulus full 50mm depth of the Astro Batt and Coating



Service(s)	Classification
PVC Pipe 50mm \varnothing 2.4mm wall thickness	EI 45 U/C
Also scope as per graphs below	



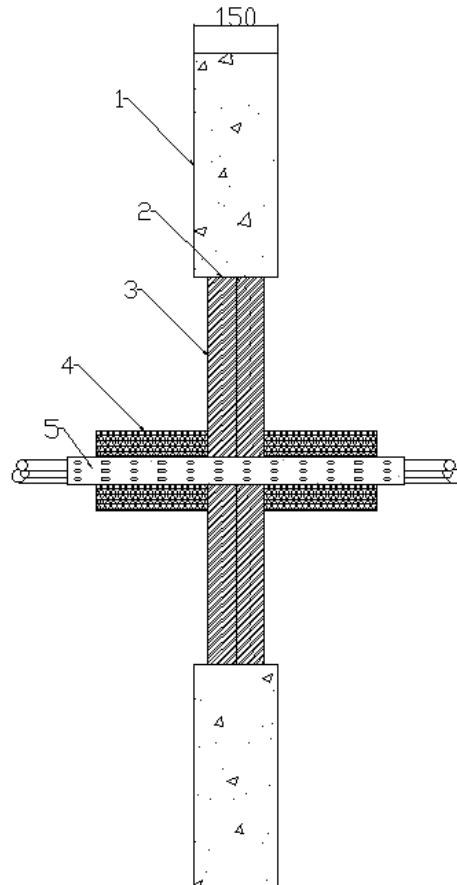
B18 Astro Batt and Coating Penetration Seal in Flexible or Rigid Walls min. 150 mm thick

B18.1 Double Layer (50mm) Astro Batt and Coating Penetration Seal

B 18.1.1 Electrical Cables

Construction details:

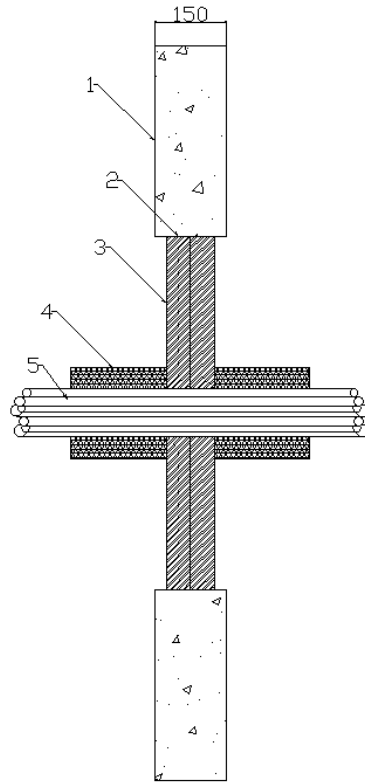
- Double layer of Astro Batt and Coating (50mm) installed internally within the wall.
- Max. Aperture size 730mm wide x 1200mm high
- Cables and cable trays wrapped with Stone Wool Insulation 45mm thick, 40Kg/m³ (L/I 200mm)



Service(s)	Classification
Electrical cables up to 21mm dia	EI 120
Electrical cables 22mm – 80mm dia	E 120 EI 90
Cable Trays and Ladders	EI 120
100 mm diameter bundle telecommunication cable type "F"	EI 120
Unsheathed electrical cables up to 24mm dia	EI 120

Construction details:

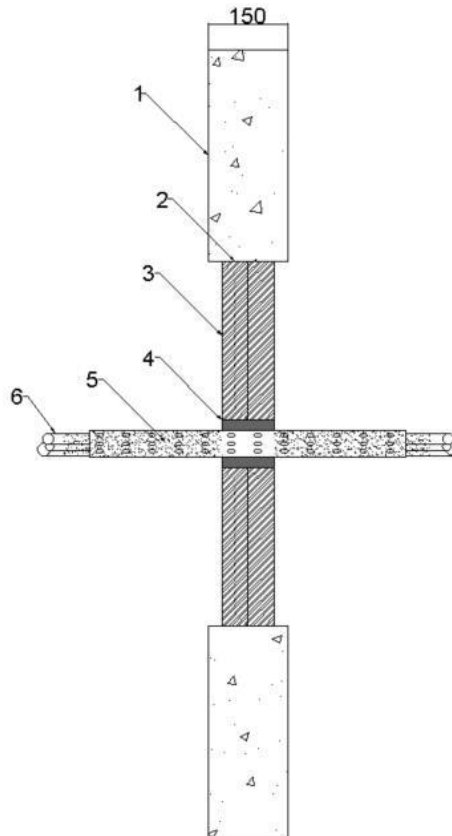
- Double layer of Astro Batt and Coating (50mm) installed internally within the wall.
- Max. Aperture size 2600mm wide x 2600mm high
- Cables and cable trays wrapped with Stone Wool Insulation 45mm thick, 40Kg/m³ (L/I 200mm)



Service(s)	Classification
Electrical cables up to 21mm dia	EI 60
Electrical cables 22mm – 80mm dia	
Cable Trays and Ladders	
100 mm diameter bundle telecommunication cable type "F"	
Unsheathed electrical cables up to 24mm dia	

Construction details:

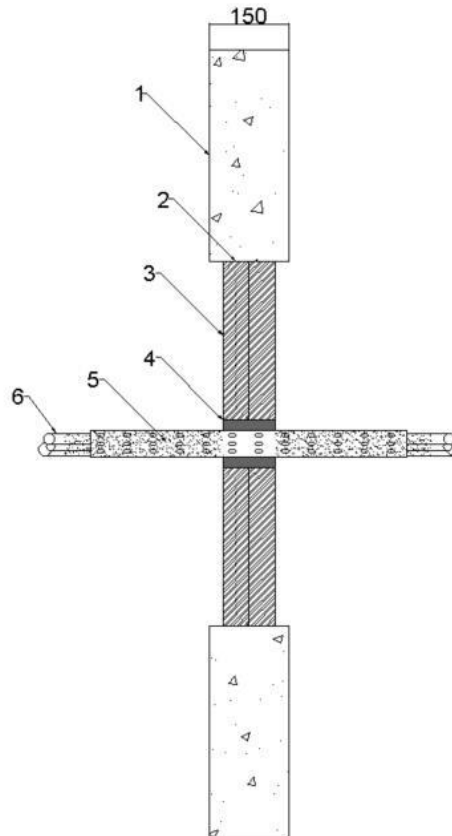
- Double layer of Astro Batt and Coating (50mm) installed internally within the wall.
- Max. Aperture size 750mm wide x 1100mm high
- All cables coated with 2mm DFT PST Coating 300mm along the cables both sides of the seal.
- Astro HPE Sealant 20mm annulus full 50mm depth of the Astro Batt and Coating



Service(s)	Classification
500 mm perforated cable tray	EI 120
Electrical cables up to 21mm dia	
1 off "C1" Cable	
1 off "C2" Cable	E 120 EI 90
1 off "C3" Cable	
	EI 120

Construction details:

- Double layer of Astro Batt and Coating (50mm) installed internally within the wall.
- Max. Aperture size 2600mm wide x 2600mm high
- All cables coated with 2mm DFT PST Coating 300mm along the cables both sides of the seal.
- Astro HPE Sealant 20mm annulus full 50mm depth of the Astro Batt and Coating



Service(s)	Classification
500 mm perforated cable tray	EI 60
Electrical cables up to 21mm dia	
1 off "C1" Cable	
1 off "C2" Cable	
1 off "C3" Cable	

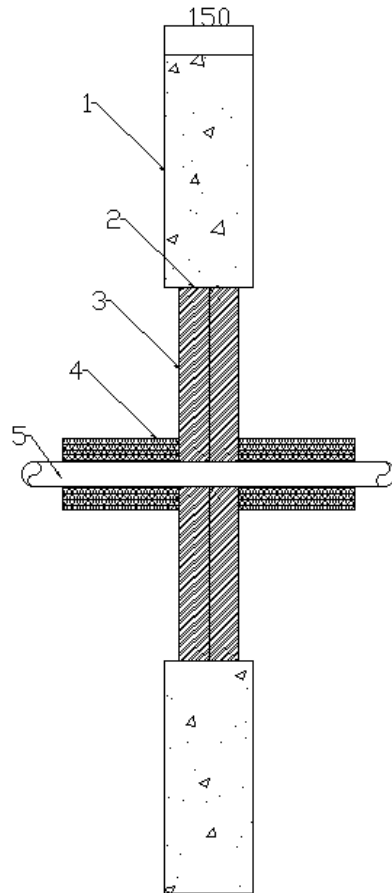
B19 Astro Batt and Coating Penetration Seal in Flexible or Rigid Walls min. 150 mm thick

B19.1 Double Layer (50mm) Astro Batt and Coating Penetration Seal

B 19.1.1 Insulated Metallic Pipes

Construction details:

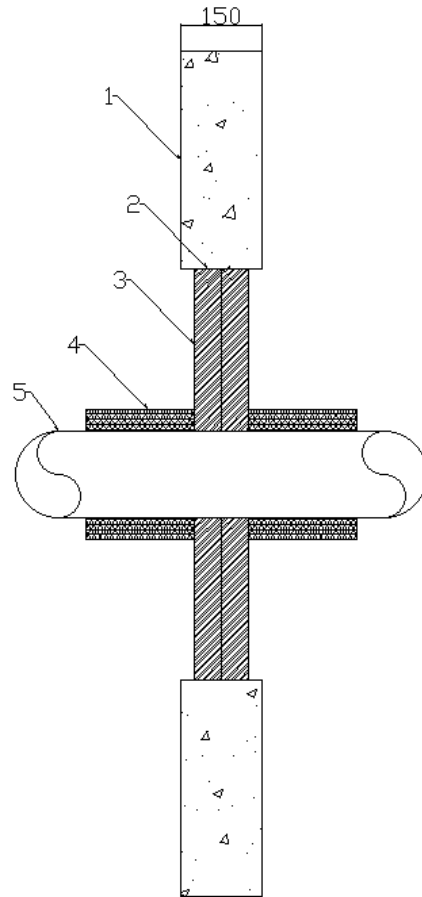
- Double layer of Astro Batt and Coating (50mm) installed internally within the wall.
- Max. Aperture size 730mm wide x 1200mm high
- Metallic wrapped with Stone Wool Insulation 45mm thick, 40Kg/m³ (L/I 200mm)



Service(s)	Classification
Steel or Copper Pipe 42mm Ø, 1.2mm – 14.2mm wall thickness. (L/I 300mm) 40mm stone wool insulation (min 40Kg/m ³)	E 120 C/U EI 60 C/U
Steel or Copper Pipe 42mm – 159mm Ø, 2mm – 14.2mm wall thickness. (L/I 300mm) 40mm stone wool insulation (min 40Kg/m ³)	E 120 C/U EI 30 C/U

Construction details:

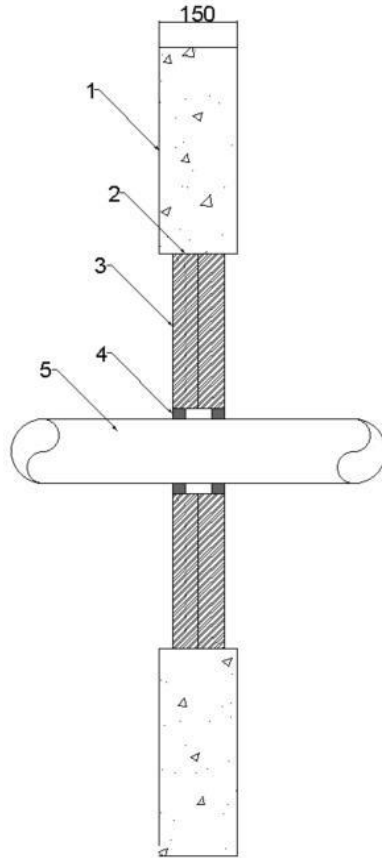
- Double layer of Astro Batt and Coating (50mm) installed internally within the wall.
- Max. Aperture size 2600mm wide x 2600mm high
- Metallic services wrapped with Stone Wool Insulation 45mm thick, 40Kg/m³ (L/I 200mm)



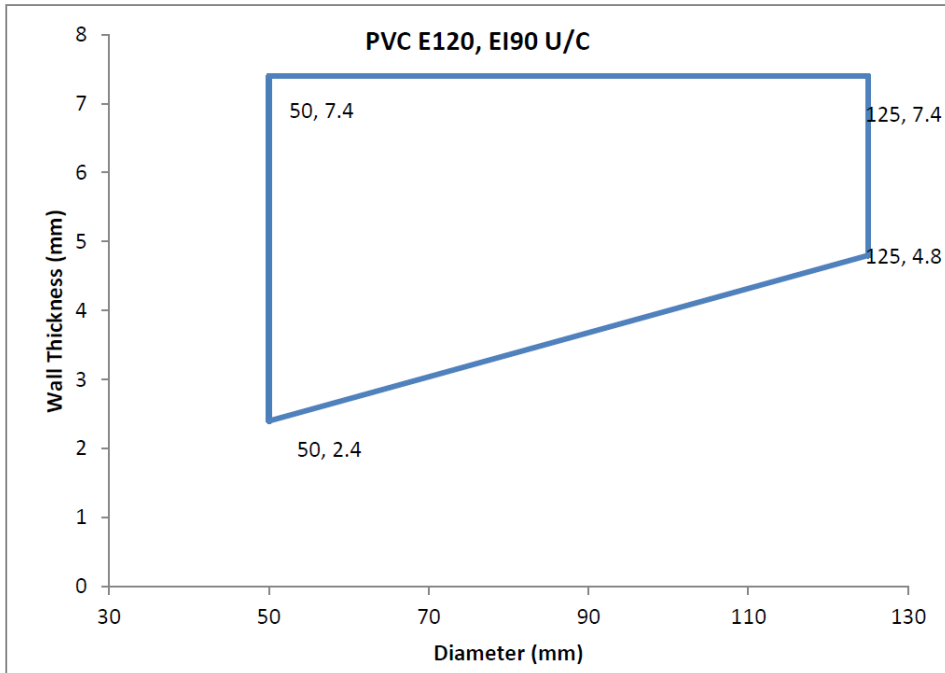
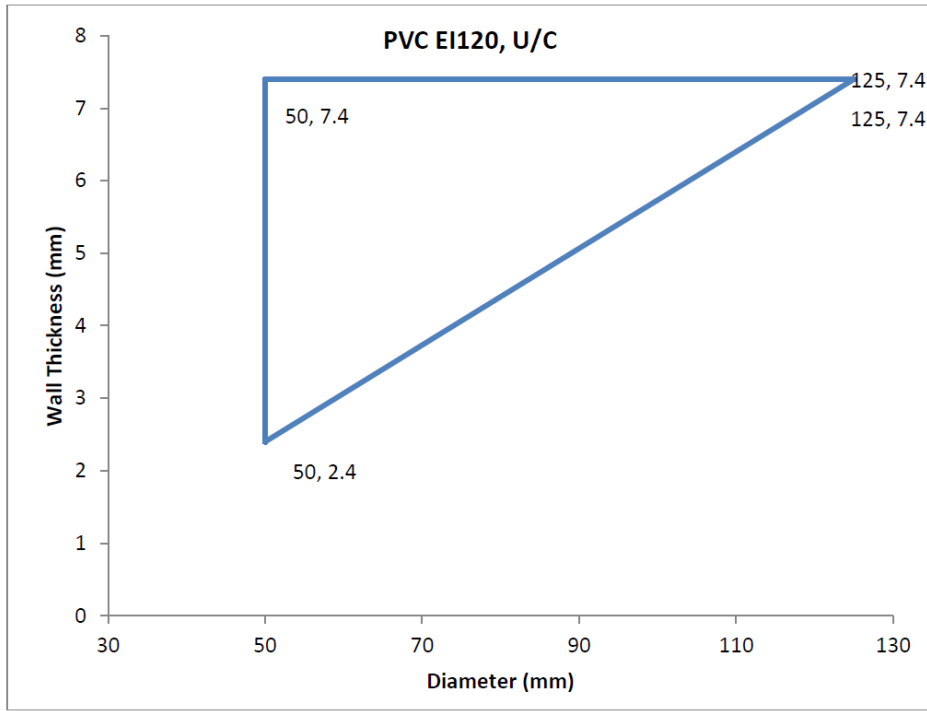
Service(s)	Classification
Steel or Copper Pipe 42mm Ø, 1.2mm – 14.2mm wall thickness. (L/I 300mm) 40mm stone wool insulation (min 40Kg/m ³)	EI 60 C/U
Steel or Copper Pipe 42mm – 159mm Ø, 2mm – 14.2mm wall thickness. (L/I 300mm) 40mm stone wool insulation (min 40Kg/m ³)	E 60 C/U EI 30 C/U

Construction details:

- Double layer of Astro Batt and Coating (50mm) installed internally within the wall.
- Max. Aperture size 750mm wide x 1100mm high
- Plastic pipes

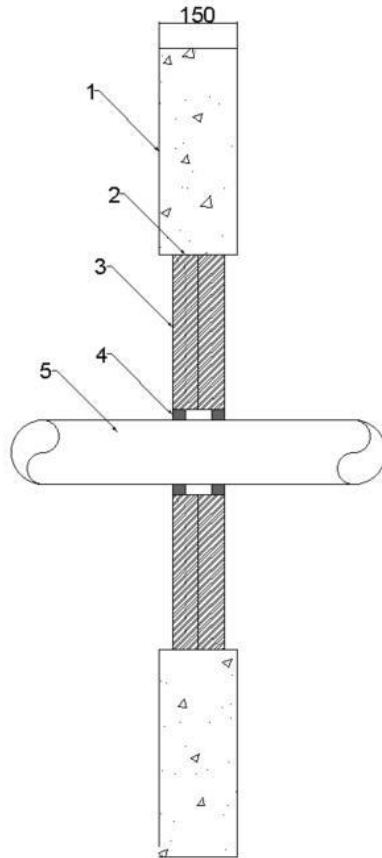


Service(s)	Astro HPE Sealant	Classification
Pipe diameters as below	20 mm annulus, 25 mm deep both faces of the Astro Batt and Coating	See graphs below

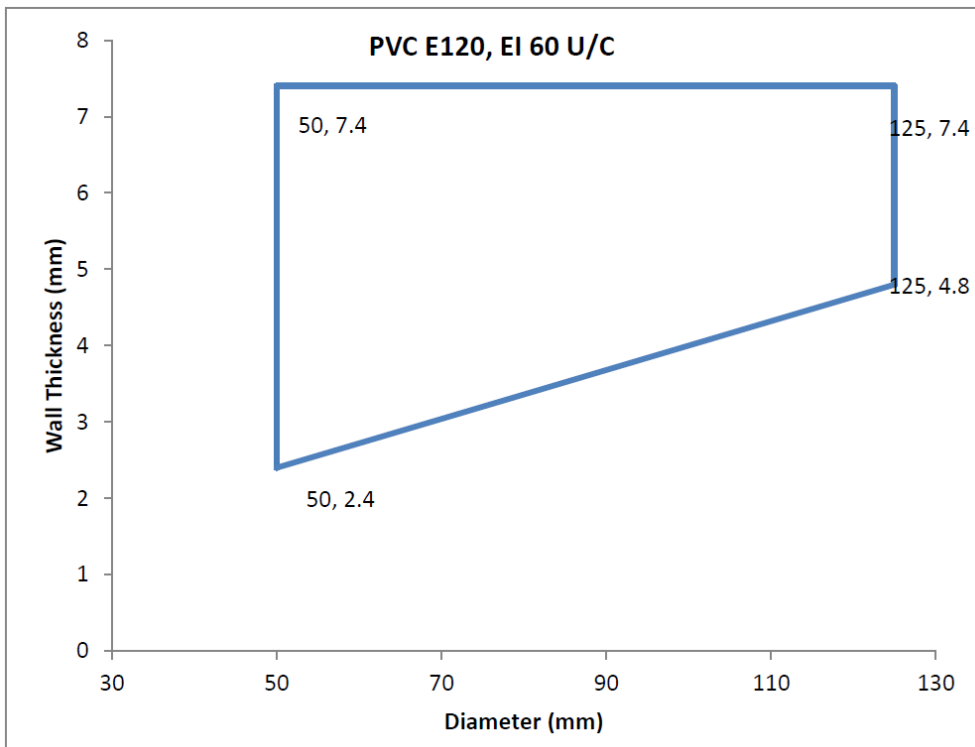
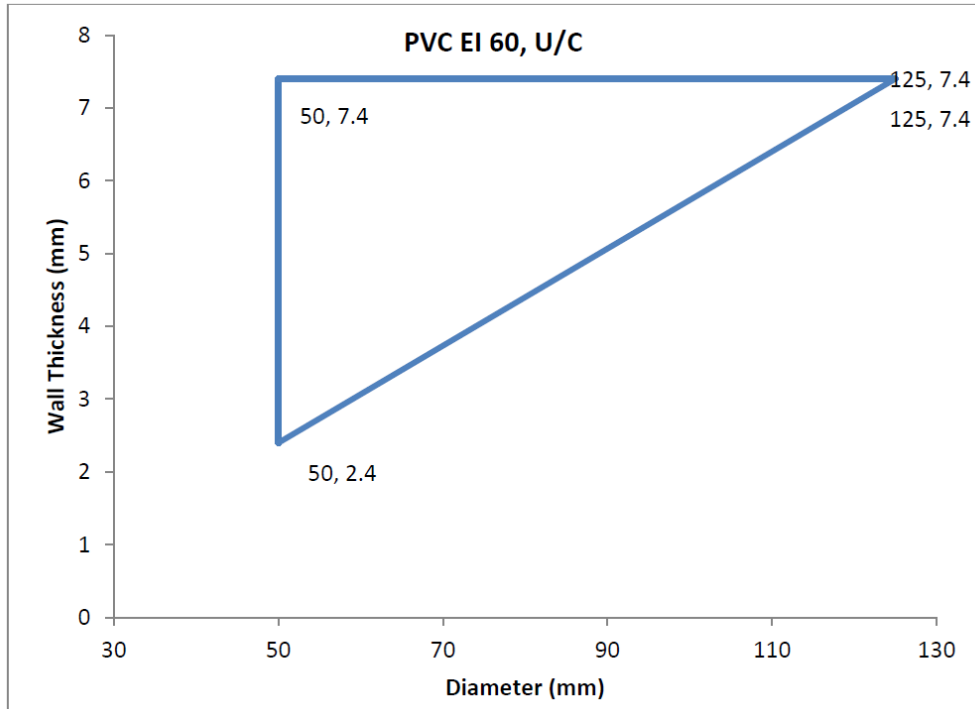


Construction details:

- Double layer of Astro Batt and Coating (50mm) installed internally within the wall.
- Max. Aperture size 2600mm wide x 2600mm high
- Plastic pipes

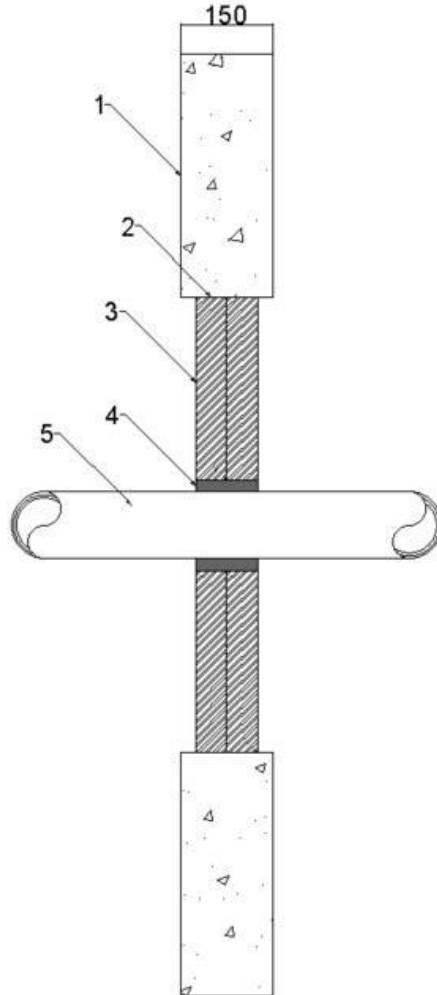


Service(s)	Astro HPE Sealant	Classification
Pipe diameters as below	20 mm annulus, 25 mm deep both faces of the Astro Batt and Coating	EI 60



Construction details:

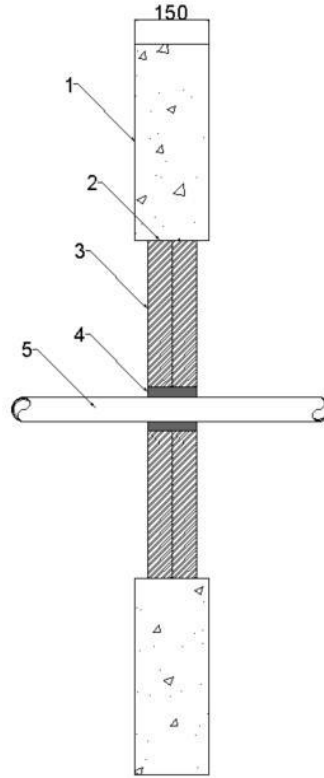
- Double layer of Astro Batt and Coating (50mm) installed internally within the wall.
- Max. Aperture size 750mm wide x 1100mm high
- Astro HPE Sealant 20mm annulus full 50mm depth of the Astro Batt and Coating



Service(s)	Classification
Uponor MLC (Multi-Layer Composite) Pipe 40mm ø 4mm wall thickness	EI 120 U/C
Uponor MLC (Multi-Layer Composite) Pipe 50mm ø 4.5mm wall thickness	
Uponor MLC (Multi-Layer Composite) Pipe 63mm ø 6mm wall thickness	
Uponor MLC (Multi-Layer Composite) Pipe 75mm ø 7.5mm wall thickness	
Uponor MLC (Multi-Layer Composite) Pipe 90mm ø 8.5mm wall thickness	
Uponor MLC (Multi-Layer Composite) Pipe 110mm ø 10mm wall thickness	

Construction details:

- Double layer of Astro Batt and Coating (50mm) installed internally within the wall.
- Max. Aperture size 2600mm wide x 2600mm high
- Astro HPE Sealant 20mm annulus full 50mm depth of the Astro Batt and Coating



Service(s)	Classification
Uponor MLC (Multi-Layer Composite) Pipe 40mm \varnothing 4mm wall thickness	EI 60 U/C
Uponor MLC (Multi-Layer Composite) Pipe 50mm \varnothing 4.5mm wall thickness	
Uponor MLC (Multi-Layer Composite) Pipe 63mm \varnothing 6mm wall thickness	
Uponor MLC (Multi-Layer Composite) Pipe 75mm \varnothing 7.5mm wall thickness	
Uponor MLC (Multi-Layer Composite) Pipe 90mm \varnothing 8.5mm wall thickness	
Uponor MLC (Multi-Layer Composite) Pipe 110mm \varnothing 10mm wall thickness	

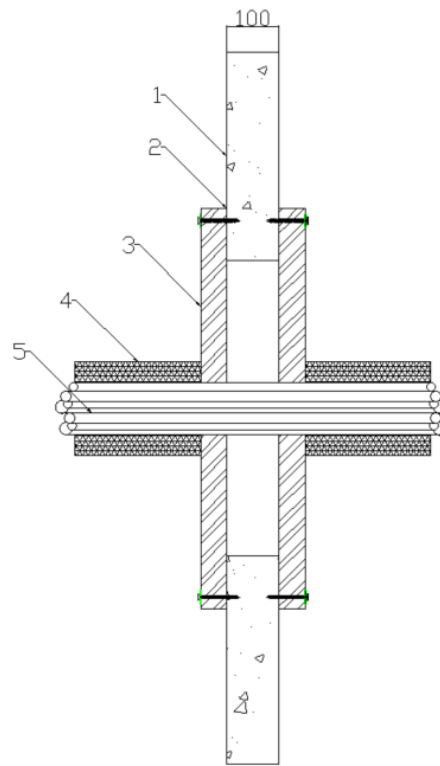
B20 Astro Batt and Coating Single layer Pattress in Flexible or Rigid Walls min. 100 mm thick

B20.1 Single Layer (50mm) Astro Batt and Coating Penetration Seal

B 20.1.1 Electrical Cables and Conduits

Construction details:

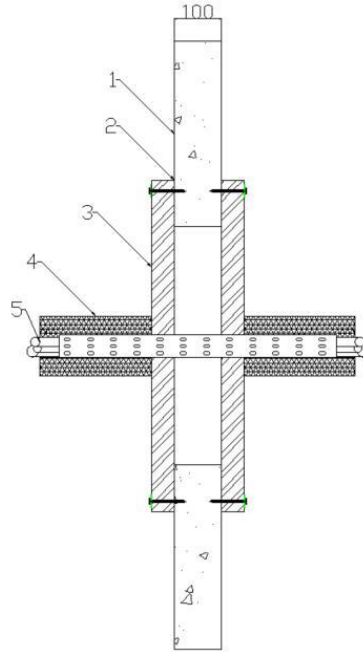
- Single layer of Astro Batt and Coating (50mm) installed internally within the wall.
- Max. Aperture size 750mm wide x 1200mm high
- Pattress installation of Astro Batt and Coating. The Batts are installed in horizontal rows and fixed in minimum two vertical edges. Overlap of batts to substrate min 100mm. Batts mechanically fixed to substrate with min 6mm x 80mm steel screws and steel retaining washer. Fixings installed at max 300mm centers.
- Cables and cable trays wrapped with a single layer of 40mm thick, 40kg/m³ Stone wool (L/I 300mm)



Service(s)	Classification
Electrical cables up to 80mm dia	EI 120
Cable Trays and Ladders	
100 mm diameter bundle telecommunication cable type "F"	
Unsheathed electrical cables up to 24mm dia	
Steel or Copper Conduits up to 16mm	
Plastic conduits up to 16mm	

Construction details:

- Single layer of Astro Batt and Coating (50mm) installed internally within the wall.
- Max. Aperture size 750mm wide x 1200mm high
- Pattress installation of Astro Batt and Coating. The Batts are installed in horizontal rows and fixed in minimum two vertical edges. Overlap of batts to substrate min 100mm. Batts mechanically fixed to substrate with min 6mm x 80mm steel screws and steel retaining washer. Fixings installed at max 300mm centers.
- Cables and cable trays wrapped with a single layer of 40mm thick, 40kg/m³ Stone wool (L/I 300mm)



Service(s)	Classification
Electrical cables up to 80mm dia	EI 60
Cable Trays and Ladders	
100 mm diameter bundle telecommunication cable type "F"	
Unsheathed electrical cables up to 24mm dia	
Steel or Copper Conduits up to 16mm	
Plastic conduits up to 16mm	

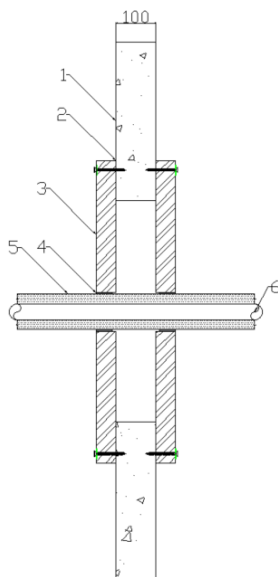
B21 Astro Batt and Coating Single layer Pattress in Flexible or Rigid Walls min. 100 mm thick

B21.1 Single Layer (50mm) Astro Batt and Coating Penetration

Seal B 21.1.1 Insulated Metallic Pipes

Construction details:

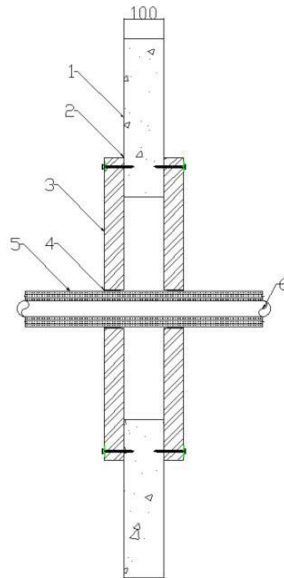
- Single layer of Astro Batt and Coating (50mm) installed internally within the wall.
- Max. Aperture size 750mm wide x 1200mm high
- Pattress installation of Astro Batt and Coating. The Batts are installed in horizontal rows and fixed in minimum two vertical edges. Overlap of batts to substrate min 100mm. Batts mechanically fixed to substrate with min 6mm x 80mm steel screws and steel retaining washer. Fixings installed at max 300mm centers.
- 2 x 2mm thick layers of Astro X series CE pipe Wrap UL / Astro X series CE pipe Wrap installed both sides of the substrate within the pattress installation.
- equivalent elastomeric pipe insulation classified BL – s2, d0 or better to EN 13501-1
- equivalent Phenolic foam pipe insulation classified BL – s1, d0 or better to EN 13501-1



Service(s)	Classification
Steel or Copper Pipe 42-159mm Ø, 1.2mm – 14.2mm wall thickness. 13-25mm thick K Flex ST Insulation (C/S)	E 120 C/U EI 60 C/U
Steel or Copper Pipe 42-159mm Ø, 1.2 – 14.2mm wall thickness. 25mm thick K Flex ST insulation ³ (C/S)	E 120 C/U EI 90 C/U
Steel or Copper Pipe 42mm Ø, 1 – 14.2mm wall thickness. 25-13mm thick K Flex ST insulation ³ (C/S)	EI 120 C/U
Steel or Copper Pipe 42-108mm Ø, 1.2 – 14.2mm wall thickness. 25 -40mm thick Kingspan Kooltherm FM insulation (C/S)	E 120 C/U EI 90 C/U
Steel or Copper Pipe 42mm Ø, 1–14.2mm wall thickness. 25 -40mm thick Kingspan Kooltherm FM insulation ⁴ (C/S)	EI 120 C/U
Steel or Copper Pipe 42mm Ø, 1.2–14.2mm wall thickness. 50mm thick glassfibre insulation min. 30kg/m (C/S)	E 120 C/U EI 90 C/U

Construction details:

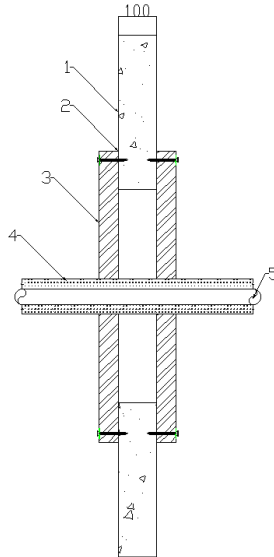
- Single layer of Astro Batt and Coating (50mm) installed internally within the wall.
- Max. Aperture size 2600mm wide x 2600mm high
- Pattress installation of Astro Batt and Coating. The Batts are installed in horizontal rows and fixed in minimum two vertical edges. Overlap of batts to substrate min 100mm. Batts mechanically fixed to substrate with min 6mm x 80mm steel screws and steel retaining washer. Fixings installed at max 300mm centers.
- 2 x 2mm thick layers of Astro X series CE pipe Wrap UL / Astro X series CE pipe Wrap installed both sides of the substrate within the pattress installation.
- equivalent elastomeric pipe insulation classified BL – s2, d0 or better to EN 13501-1
- equivalent Phenolic foam pipe insulation classified BL – s1, d0 or better to EN 13501-1



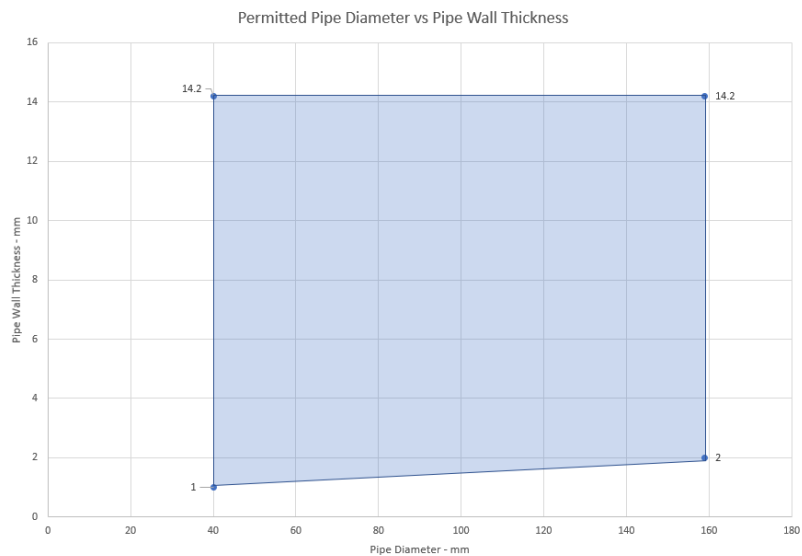
Service(s)	Classification
Steel or Copper Pipe 42-159mm Ø, 1.2mm – 14.2mm wall thickness. 13-25mm thick K Flex ST Insulation (C/S)	EI 60 C/U
Steel or Copper Pipe 42-159mm Ø, 1.2 – 14.2mm wall thickness. 25mm thick K Flex ST insulation3 (C/S)	
Steel or Copper Pipe 42mm Ø, 1 – 14.2mm wall thickness. 25-13mm thick K Flex ST insulation3 (C/S)	
Steel or Copper Pipe 42-108mm Ø, 1.2 – 14.2mm wall thickness. 25 -40mm thick Kingspan Kooltherm FM insulation (C/S)	
Steel or Copper Pipe 42mm Ø, 1-14.2mm wall thickness. 25 -40mm thick Kingspan Kooltherm FM insulation4 (C/S)	
Steel or Copper Pipe 42mm Ø, 1.2-14.2mm wall thickness. 50mm thick glassfibre insulation min. 30kg/m (C/S)	

Construction details:

- Single layer of Astro Batt and Coating (50mm) installed internally within the wall.
- Max. Aperture size 750mm wide x 1200mm high
- Pattress installation of Astro Batt and Coating. The Batts are installed in horizontal rows and fixed in minimum two vertical edges. Overlap of batts to substrate min 100mm. Batts mechanically fixed to substrate with min 6mm x 80mm steel screws and steel retaining washer. Fixings installed at max 300mm centers.

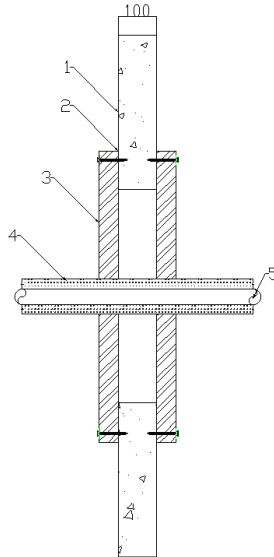


Service(s)	Classification
Steel or Copper Pipe 42-159mm Ø, 1.0mm – 14.2mm wall thickness (see graph below). 25mm thick foil faced glassfibre insulation min. 30kg/m ³ (C/S)	E 120 C/U EI 90 C/U
Steel or Copper Pipe 42mm Ø, 1mm – 14.2mm wall thickness. 25mm thick foil faced glassfibre insulation min. 30kg/m ³ (C/S)	EI 120 C/U

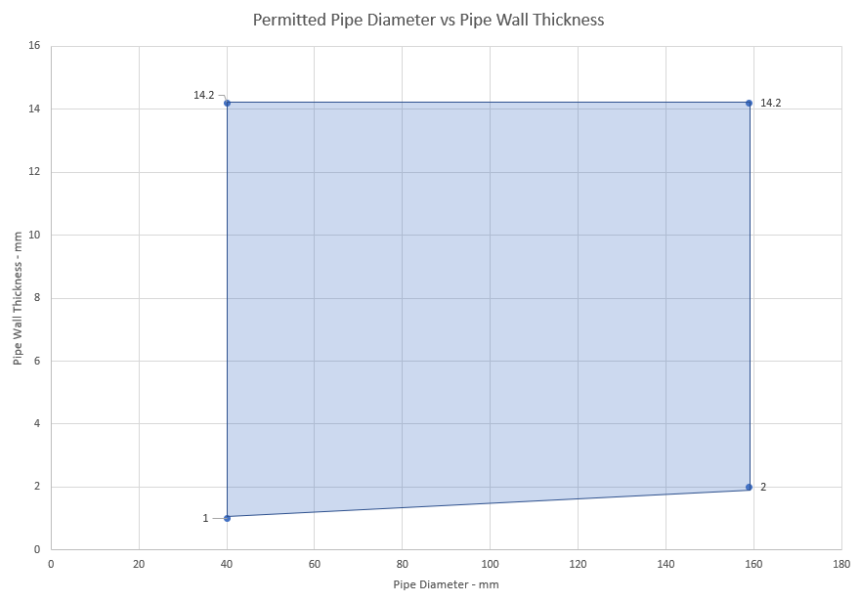


Construction details:

- Single layer of Astro Batt and Coating (50mm) installed internally within the wall.
- Max. Aperture size 2600mm wide x 2600mm high
- Pattress installation of Astro Batt and Coating. The Batts are installed in horizontal rows and fixed in minimum two vertical edges. Overlap of batts to substrate min 100mm. Batts mechanically fixed to substrate with min 6mm x 80mm steel screws and steel retaining washer. Fixings installed at max 300mm centers.



Service(s)	Classification
Steel or Copper Pipe 42-159mm Ø, 1.0mm – 14.2mm wall thickness (see graph below). 25mm thick foil faced glassfibre insulation min. 30kg/m ³ (C/S)	EI 60 C/U
Steel or Copper Pipe 42mm Ø, 1mm – 14.2mm wall thickness. 25mm thick foil faced glassfibre insulation min. 30kg/m ³ (C/S)	EI 60 C/U



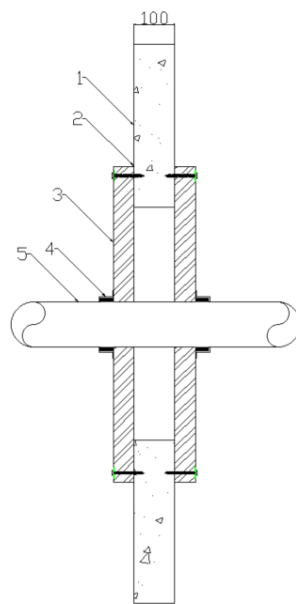
B22 Astro Batt and Coating Single layer Pattress in Flexible or Rigid Walls min. 100 mm thick

B22.1 Single Layer (50mm) Astro Batt and Coating Penetration B

22.1.1 Plastic Pipes

Construction details:

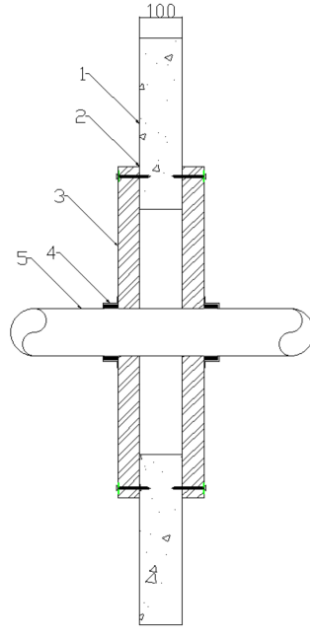
- Single layer of Astro Batt and Coating (50mm) Plastic Pipes
- Max. Aperture size 730mm wide x 1200mm high
- Pattress installation of Astro Batt and Coating. The Batts are installed in horizontal rows and fixed in minimum two vertical edges. Overlap of batts to substrate min 100mm. Batts mechanically fixed to substrate with min 6mm x 80mm steel screws and steel retaining washer. Fixings installed at max 300mm centers.
- Collars secured both faces of the substrate utilizing 80mm long pig tail screw through to the Astro Batt and Coating



Penetration Specification	Astro X series CE pipe Collar Ref	Classification
PVC Pipe 32mm Ø, 1.8mm wall thickness	32 mm	EI 120 U/C
PVC Pipe 40mm Ø, 1.8mm wall thickness	40 mm	
PVC Pipe 50mm Ø, 1.8mm wall thickness	50 mm	
PVC Pipe 55mm Ø, 1.8-2.3mm wall thickness	55 mm	
PVC Pipe 63mm Ø, 2.3-3mm wall thickness	63 mm	
PVC Pipe 75mm Ø, 3.1-4.8mm wall thickness	75 mm	
PVC Pipe 82mm Ø, 3.1-4.8mm wall thickness	82 mm	
PVC Pipe 90mm Ø, 4.2-7.4mm wall thickness	90 mm	
PVC Pipe 100mm Ø, 4.2-7.4mm wall thickness	100 mm	
PVC Pipe 110mm Ø, 4.2-7.4mm wall thickness	110 mm	
PVC Pipe 125mm Ø, 6mm wall thickness	125 mm	
PVC Pipe 140mm Ø, 6.1-7.5mm wall thickness	140 mm	
PVC Pipe 140mm Ø, 6.2-9.5mm wall thickness	160 mm	

Construction details:

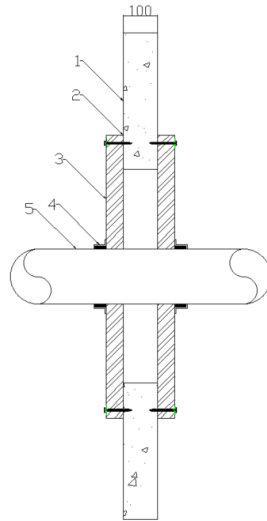
- Single layer of Astro Batt and Coating (50mm) Plastic Pipes
- Max. Aperture size 2600mm wide x 2600mm high
- Pattress installation of Astro Batt and Coating. The Batts are installed in horizontal rows and fixed in minimum two vertical edges. Overlap of batts to substrate min 100mm. Batts mechanically fixed to substrate with min 6mm x 80mm steel screws and steel retaining washer. Fixings installed at max 300mm centers.
- Collars secured both faces of the substrate utilizing 80mm long pig tail screw through to the Astro Batt and Coating



Penetration Specification	Astro X series CE pipe Collar Ref	Classification
PVC Pipe 32mm Ø, 1.8mm wall thickness	32 mm	EI 60 U/C
PVC Pipe 40mm Ø, 1.8mm wall thickness	40 mm	
PVC Pipe 50mm Ø, 1.8mm wall thickness	50 mm	
PVC Pipe 55mm Ø, 1.8-2.3mm wall thickness	55 mm	
PVC Pipe 63mm Ø, 2.3-3mm wall thickness	63 mm	
PVC Pipe 75mm Ø, 3.1-4.8mm wall thickness	75 mm	
PVC Pipe 82mm Ø, 3.1-4.8mm wall thickness	82 mm	
PVC Pipe 90mm Ø, 4.2-7.4mm wall thickness	90 mm	
PVC Pipe 100mm Ø, 4.2-7.4mm wall thickness	100 mm	
PVC Pipe 110mm Ø, 4.2-7.4mm wall thickness	110 mm	
PVC Pipe 125mm Ø, 6mm wall thickness	125 mm	
PVC Pipe 140mm Ø, 6.1-7.5mm wall thickness	140 mm	
PVC Pipe 140mm Ø, 6.2-9.5mm wall thickness	160 mm	

Construction details:

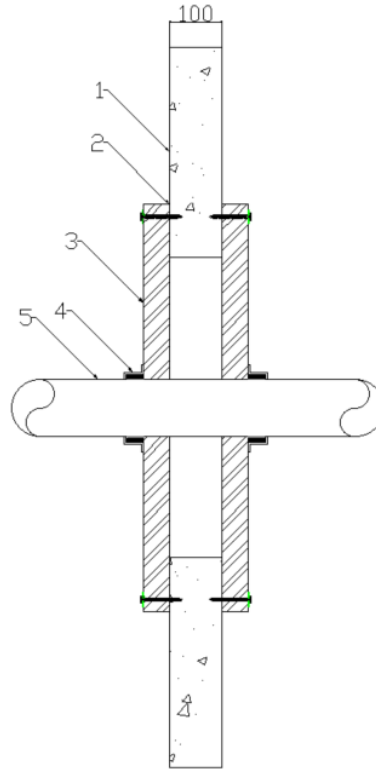
- Single layer of Astro Batt and Coating (50mm) Plastic Pipes
- Max. Aperture size 730mm wide x 1200mm high
- Pattress installation of Astro Batt and Coating. The Batts are installed in horizontal rows and fixed in minimum two vertical edges. Overlap of batts to substrate min 100mm. Batts mechanically fixed to substrate with min 6mm x 80mm steel screws and steel retaining washer. Fixings installed at max 300mm centers.
- Collars secured both faces of the substrate utilizing 80mm long pig tail screw through to the Astro Batt and Coating
- Penetrations positioned as per option 1 or 2 below. 0 mm distance between services and 50 mm to edge of seal.



Penetration Specification	Astro X series CE pipe Collar Ref	Classification
PVC Pipe 32mm Ø, 2.9mm wall thickness	32 mm	EI 120 U/C
PVC Pipe 40mm Ø, 2.9mm wall thickness	40 mm	
PVC Pipe 50mm Ø, 2.9mm wall thickness	50 mm	
PVC Pipe 55mm Ø, 2.9-4.4mm wall thickness	55 mm	
PVC Pipe 63mm Ø, 2.9-4.4mm wall thickness	63 mm	
PVC Pipe 75mm Ø, 2.8-6.7mm wall thickness	75 mm	
PVC Pipe 82mm Ø, 2.8-6.7mm wall thickness	82 mm	
PVC Pipe 90mm Ø, 2.7-10mm wall thickness	90 mm	
PVC Pipe 100mm Ø, 2.7-10mm wall thickness	100 mm	
PVC Pipe 110mm Ø, 2.7-10mm wall thickness	110 mm	
PVC Pipe 125mm Ø, 3.1mm wall thickness	125 mm	
PVC Pipe 140mm Ø, 3.5-8mm wall thickness	140 mm	
PVC Pipe 140mm Ø, 4-14.6mm wall thickness	160 mm	

Construction details:

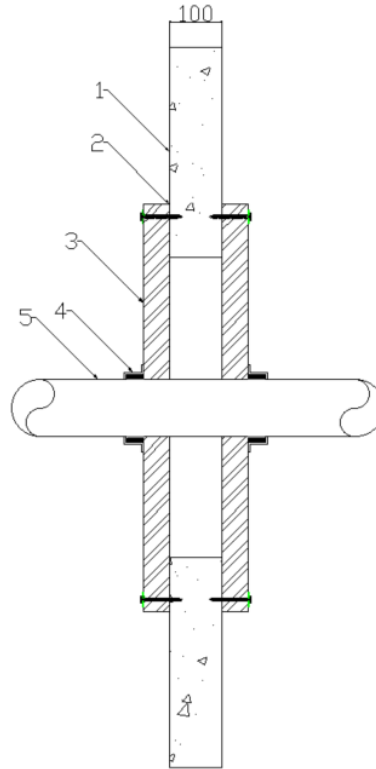
- Single layer of Astro Batt and Coating (50mm) Plastic Pipes
- Max. Aperture size 2600mm wide x 2600mm high
- Pattress installation of Astro Batt and Coating. The Batts are installed in horizontal rows and fixed in minimum two vertical edges. Overlap of batts to substrate min 100mm. Batts mechanically fixed to substrate with min 6mm x 80mm steel screws and steel retaining washer. Fixings installed at max 300mm centers.
- Collars secured both faces of the substrate utilizing 80mm long pig tail screw through to the Astro Batt and Coating
- Penetrations positioned as per option 1 or 2 below. 0 mm distance between services and 50 mm to edge of seal.



Penetration Specification	Astro X series CE pipe Collar Ref	Classification
PVC Pipe 32mm Ø, 2.9mm wall thickness	32 mm	EI 60 U/C
PVC Pipe 40mm Ø, 2.9mm wall thickness	40 mm	
PVC Pipe 50mm Ø, 2.9mm wall thickness	50 mm	
PVC Pipe 55mm Ø, 2.9-4.4mm wall thickness	55 mm	
PVC Pipe 63mm Ø, 2.9-4.4mm wall thickness	63 mm	
PVC Pipe 75mm Ø, 2.8-6.7mm wall thickness	75 mm	
PVC Pipe 82mm Ø, 2.8-6.7mm wall thickness	82 mm	
PVC Pipe 90mm Ø, 2.7-10mm wall thickness	90 mm	
PVC Pipe 100mm Ø, 2.7-10mm wall thickness	100 mm	
PVC Pipe 110mm Ø, 2.7-10mm wall thickness	110 mm	
PVC Pipe 125mm Ø, 3.1mm wall thickness	125 mm	
PVC Pipe 140mm Ø, 3.5-8mm wall thickness	140 mm	
PVC Pipe 140mm Ø, 4-14.6mm wall thickness	160 mm	

Construction details:

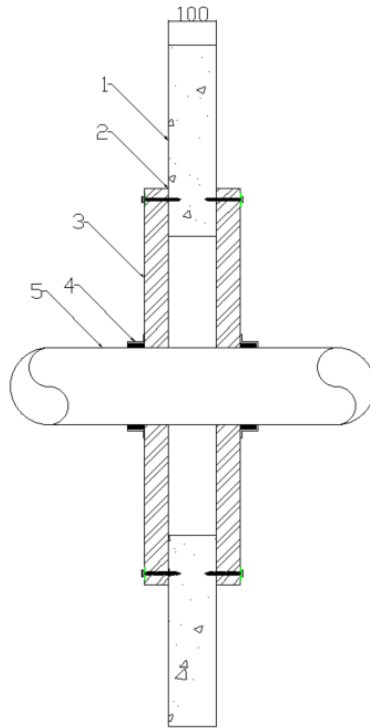
- Single layer of Astro Batt and Coating (50mm) Plastic Pipes
- Max. Aperture size 730mm wide x 1200mm high
- Pattress installation of Astro Batt and Coating. The Batts are installed in horizontal rows and fixed in minimum two vertical edges. Overlap of batts to substrate min 100mm. Batts mechanically fixed to substrate with min 6mm x 80mm steel screws and steel retaining washer. Fixings installed at max 300mm centers.
- Collars secured both faces of the substrate utilizing 80mm long pig tail screw through to the Astro Batt and Coating
- Penetrations positioned as per option 1 or 2 below. 0 mm distance between services and 50 mm to edge of seal.



Penetration Specification	Astro X series CE pipe Collar Ref	Classification
PVC Pipe 32mm Ø, 2.9mm wall thickness	32 mm	EI 120 U/C
PVC Pipe 40mm Ø, 2.9mm wall thickness	40 mm	
PVC Pipe 50mm Ø, 2.9mm wall thickness	50 mm	
PVC Pipe 55mm Ø, 2.9-4.4mm wall thickness	55 mm	
PVC Pipe 63mm Ø, 2.9-4.4mm wall thickness	63 mm	
PVC Pipe 75mm Ø, 2.8-6.7mm wall thickness	75 mm	
PVC Pipe 82mm Ø, 2.8-6.7mm wall thickness	82 mm	
PVC Pipe 90mm Ø, 2.7-10mm wall thickness	90 mm	
PVC Pipe 100mm Ø, 2.7-10mm wall thickness	100 mm	
PVC Pipe 110mm Ø, 2.7-10mm wall thickness	110 mm	
PVC Pipe 125mm Ø, 3.1mm wall thickness	125 mm	
PVC Pipe 140mm Ø, 3.9-5.8mm wall thickness	140 mm	
PVC Pipe 140mm Ø, 4.9-9.5mm wall thickness	160 mm	

Construction details:

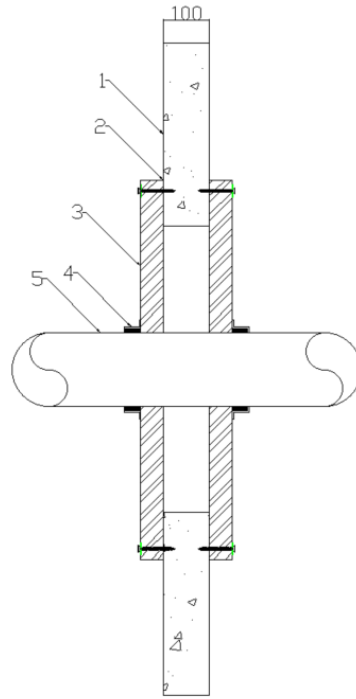
- Single layer of Astro Batt and Coating (50mm) Plastic Pipes
- Max. Aperture size 2600mm wide x 2600mm high
- Pattress installation of Astro Batt and Coating. The Batts are installed in horizontal rows and fixed in minimum two vertical edges. Overlap of batts to substrate min 100mm. Batts mechanically fixed to substrate with min 6mm x 80mm steel screws and steel retaining washer. Fixings installed at max 300mm centers.
- Collars secured both faces of the substrate utilizing 80mm long pig tail screw through to the Astro Batt and Coating
- Penetrations positioned as per option 1 or 2 below. 0 mm distance between services and 50 mm to edge of seal.



Penetration Specification	Astro X series CE pipe Collar Ref	Classification
PVC Pipe 32mm Ø, 2.9mm wall thickness	32 mm	EI 60 U/C
PVC Pipe 40mm Ø, 2.9mm wall thickness	40 mm	
PVC Pipe 50mm Ø, 2.9mm wall thickness	50 mm	
PVC Pipe 55mm Ø, 2.9-4.4mm wall thickness	55 mm	
PVC Pipe 63mm Ø, 2.9-4.4mm wall thickness	63 mm	
PVC Pipe 75mm Ø, 2.8-6.7mm wall thickness	75 mm	
PVC Pipe 82mm Ø, 2.8-6.7mm wall thickness	82 mm	
PVC Pipe 90mm Ø, 2.7-10mm wall thickness	90 mm	
PVC Pipe 100mm Ø, 2.7-10mm wall thickness	100 mm	
PVC Pipe 110mm Ø, 2.7-10mm wall thickness	110 mm	
PVC Pipe 125mm Ø, 3.1mm wall thickness	125 mm	
PVC Pipe 140mm Ø, 3.9-5.8mm wall thickness	140 mm	
PVC Pipe 140mm Ø, 4.9-9.5mm wall thickness	160 mm	

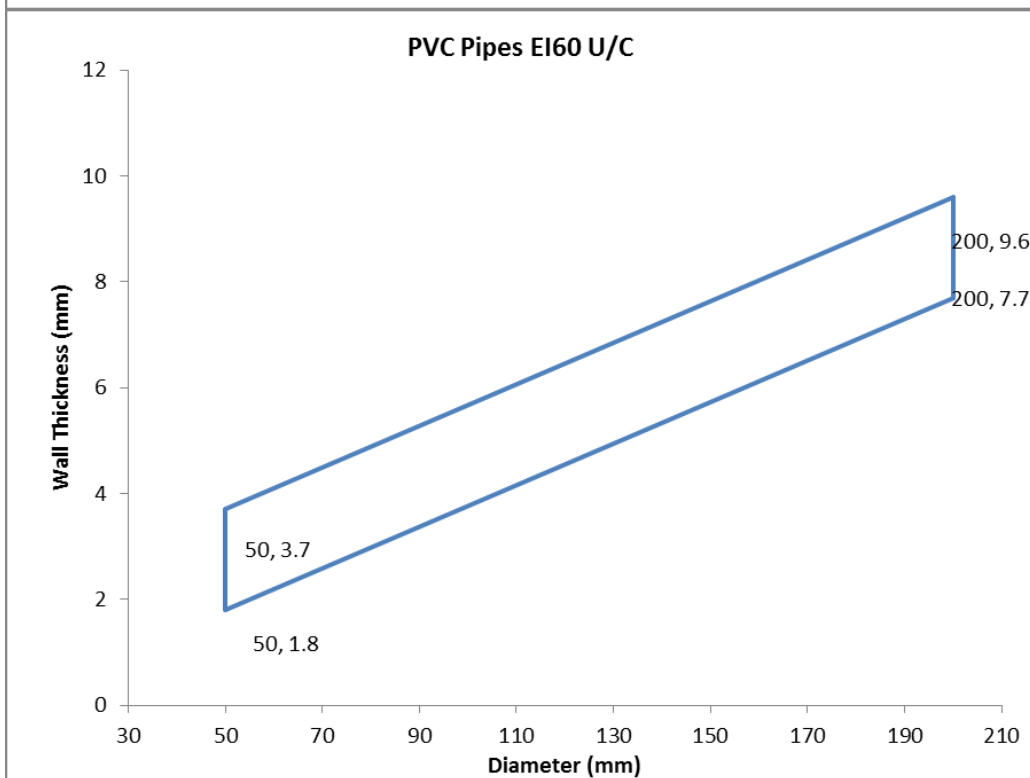
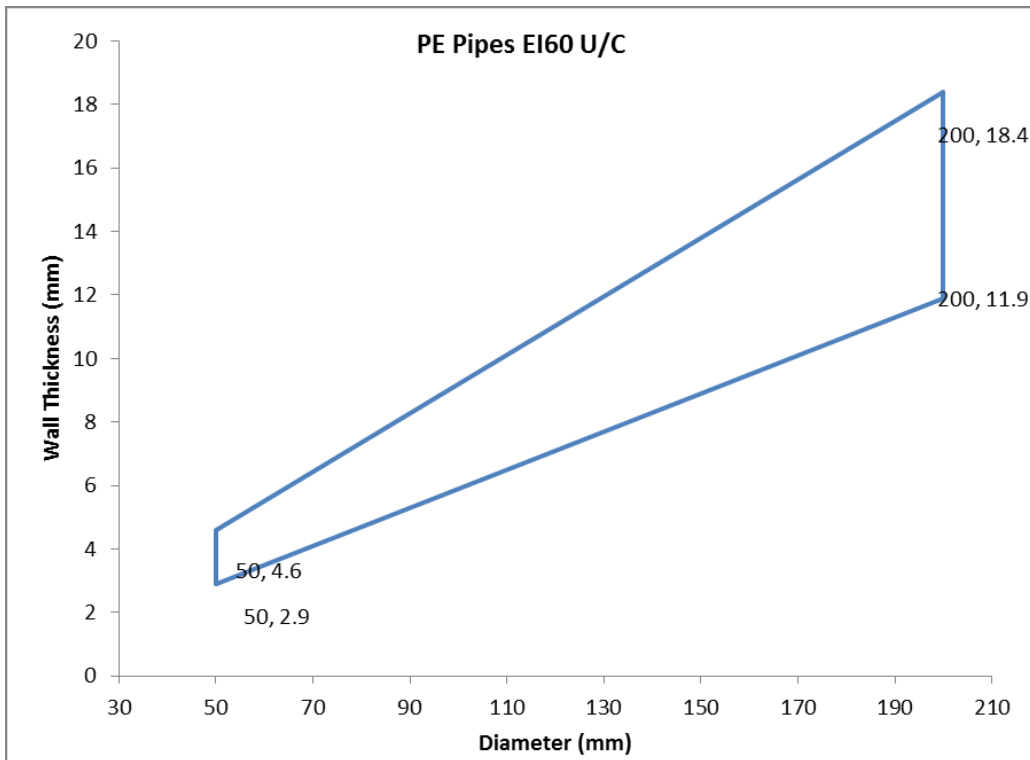
Construction details:

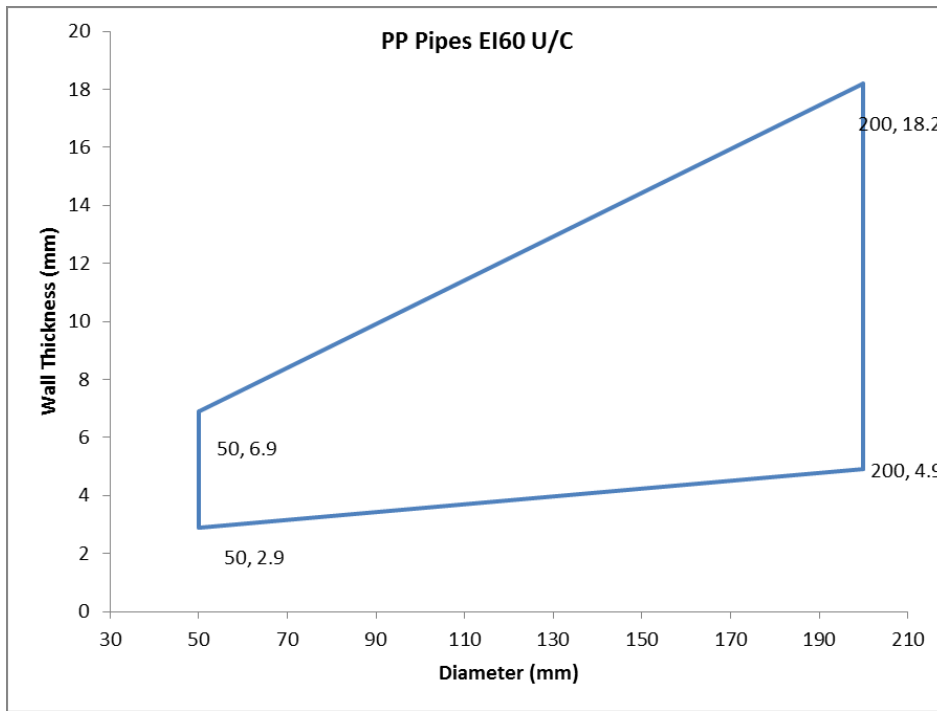
- Single layer of Astro Batt and Coating (50mm) Plastic Pipes
- Max. Aperture size 2600mm wide x 2600mm high
- Pattress installation of Astro Batt and Coating. The Batts are installed in horizontal rows and fixed in minimum two vertical edges. Overlap of batts to substrate min 100mm. Batts mechanically fixed to substrate with min 6mm x 80mm steel screws and steel retaining washer. Fixings installed at max 300mm centers.
- Collars secured both faces of the substrate utilizing 80mm long pig tail screw through to the Astro Batt and Coating
- Penetrations positioned as per option 1 or 2 below. 0 mm distance between services and 50 mm to edge of seal.



Scope and Classifications as below

Intumescent Thickness	
Pipe Diameter	Intumescent Material
ø 32 mm - ø 50 mm	40 mm (W) x 2 mm (T)
ø 51 mm - ø 82 mm	40 mm (W) x 4 mm (T)
ø 83 mm - ø 115 mm	40 mm (W) x 6 mm (T)
ø 116 mm - ø 160 mm	40 mm (W) x 8 mm (T)
ø 161 mm - ø 200 mm	40 mm (W) x 10 mm (T)
ø 201 mm - ø 250 mm	40 mm (W) x 12 mm (T)





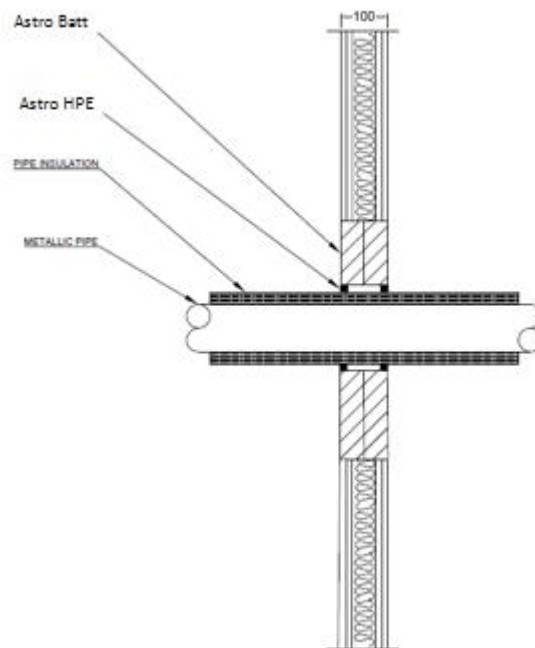
B23 Metallic Pipe Penetrations in Flexible or Rigid Walls min. 100 mm thick

B23.1 Double Layer (50mm) Astro Batt and Coating

Penetration 23.1.1 Metallic Pipes

Construction details:

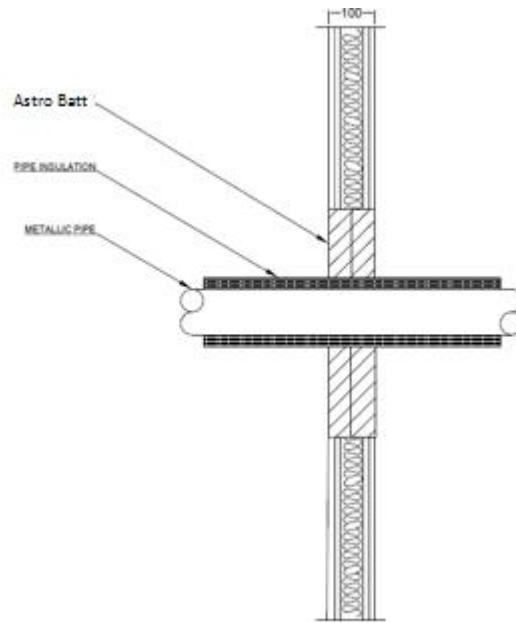
- Double layer of Astro Batt and Coating (50mm) installed internally within the wall.
- Max. Aperture size 730mm wide x 1200mm high
- Continuous / Sustained CS insulated metallic pipes
- 15mm deep x 15mm wide anulus Astro HPE Sealant to both faces
- First service support 250mm from both faces of the substrate



Service(s)	Classification
Single copper or mild steel pipe 40mm diameter and 1.5 – 14.2 mm wall with sustained/continuous 20mm thick foil faced glass wool insulation (min 80Kg/m ³)	E 90 U/C EI 60 U/C
Single copper or mild steel pipe 40-159mm diameter and 2.3 – 14.2 mm wall with sustained/continuous 30mm thick foil faced glass wool insulation (min 80Kg/m ³)	EI 60 U/C

Construction details:

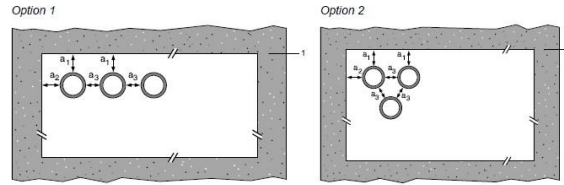
- Double layer of Astro Batt and Coating (50mm) installed internally within the wall.
- Max. Aperture size 600mm wide x 600mm high
- Continuous / Sustained CS insulated metallic pipes
- First service support 400mm from both faces of the substrate



Service(s)	Classification
Steel or Copper Pipe 42-159mm Ø, 1.2mm – 14.2mm wall thickness. 25mm thick foil faced glassfibre insulation min. 30kg/m ³ (C/S)	E 120 C/U EI 45 C/U
Steel or Copper Pipe 42mm Ø, 1mm – 14.2mm wall thickness. 25mm thick foil faced glassfibre insulation min. 30kg/m ³ (C/S)	E 120 C/U EI 60 C/U

Construction details:

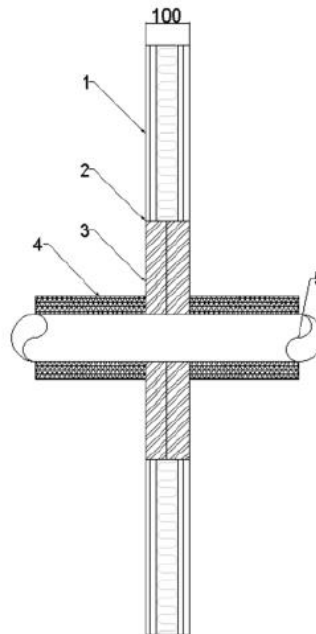
- Double layer of Astro Batt and Coating (50mm) installed internally within the wall.
- Max. Aperture size 730mm wide x 1200mm high
- Local interrupted (L/I) insulated metallic pipes.
- Penetrations positioned as per option 1 or 2 below, 0mm distance between services and 50mm to edge of seal.
- First service support 400mm from both faces of the substrate.



Key
 1 Supporting construction
 a₁ Pipe / top edge of seal separation
 a₂ Pipe / side edge of seal separation
 a₃ Pipe / pipe separation

Key

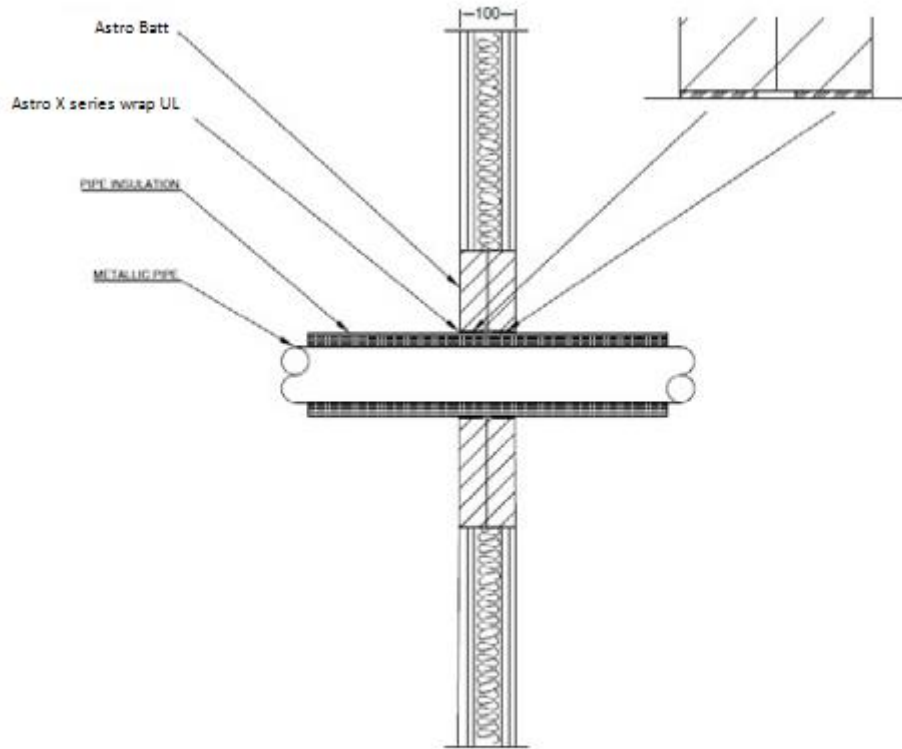
1. Supporting construction
2. Astro intu Mastic
3. Astro Batt and Coating
4. Insulation
5. Penetration Service



Service(s)	Classification
Steel or Copper Pipe 42-159mm Ø, 1.2mm – 14.2mm wall thickness 40mm thick stone wool insulation min. 40kg/m ³ (L/I 400mm)	EI 45 C/U
Steel 42-324mm Ø, 16mm wall thickness. 40mm thick stone wool insulation min. 40kg/m ³ (L/I 400mm)	EI 45 C/U
Steel or Copper Pipe 42-159mm Ø, 1.2mm – 14.2mm wall thickness PST coating along the penetration 2mm DFT (L/I 400mm)	E 120 C/U EI 45 C/U
Steel 42-324mm Ø, 16mm wall thickness. 14.2mm wall thickness PST coating along the penetration 2mm DFT (L/I 400mm)	E 120 C/U EI 45 C/U

Construction details:

- Double layer of Astro Batt and Coating (50mm) installed internally within the wall.
- Max. Aperture size 750mm wide x 1200mm high
- Continuous / Sustained CS insulated metallic pipes
- 2 x 2mm thick layers of Astro X series CE pipe Wrap UL installed both sides of the Astro Batt and Coating
- First service support 400mm from both faces of the substrate



Service(s)	Classification
Steel or Copper Pipe 42-159mm Ø, 1.2mm – 14.2mm wall thickness. 13-25mm thick K Flex ST Insulation (C/S)	E 120 C/U EI 60 C/U
Steel or Copper Pipe 42mm Ø, 1 – 14.2mm wall thickness. 25-13mm thick K Flex ST insulation (C/S)	E 120 C/U EI 90 C/U
¹ Steel or Copper Pipe 42-108mm Ø, 1.2 – 14.2mm wall thickness. 25 -40mm thick Kingspan Kooltherm FM insulation (C/S)	E 120 C/U EI 60 C/U
Steel or Copper Pipe 42mm Ø, 1–14.2mm wall thickness. 25 -40mm thick Kingspan Kooltherm FM insulation (C/S)	E 120 C/U EI 90 C/U
¹ Steel or Copper Pipe 42mm Ø, 1.2–14.2mm wall thickness. 50mm thick glassfibre insulation (C/S)	E 120 C/U EI 90 C/U

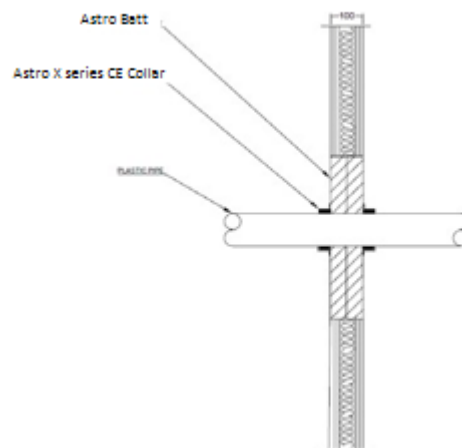
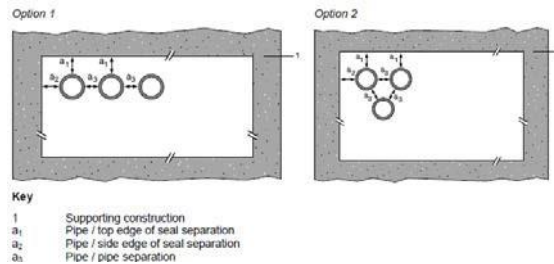
B24 Plastic Pipe Penetrations in Flexible or Rigid Walls min. 100 mm thick

B24.1 Double Layer (50mm) Astro Batt and Coating Penetration Seal B

24.1.1 Plastic Pipes

Construction details:

- Double layer of Astro Batt and Coating (50mm) installed internally within the wall.
- Max. Aperture size 730mm wide x 1200mm high
- Astro X series CE pipe Collar secured both faces of the substrate utilizing 80mm long steel pig tail screw through to Astro Batt and Coating
- Penetrations positioned as per option 1 or 2 below, 0mm distance between services and 50mm to edge of seal.
- First service support 400mm from both faces of the substrate.



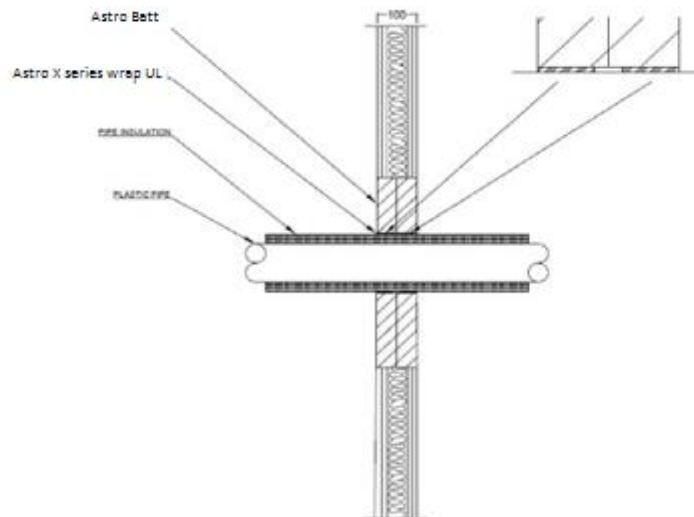
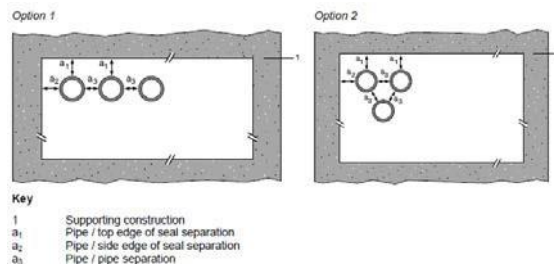
Service(s)	Astro X series CE pipe Collar Ref	Classification
PVC Pipe 32mm Ø, 1.8mm wall thickness	32mm	EI 120 U/C
PVC Pipe 40mm Ø, 1.8mm wall thickness	40mm	
PVC Pipe 50mm Ø, 1.8mm wall thickness	50mm	
PVC Pipe 55mm Ø, 1.8-2.3mm wall thickness	55mm	
PVC Pipe 63mm Ø, 2.3-3mm wall thickness	63mm	
PVC Pipe 75mm Ø, 3.1-4.8mm wall thickness	75mm	
PVC Pipe 82mm Ø, 3.1-4.8mm wall thickness	82mm	
PVC Pipe 90mm Ø, 4.2-7.4mm wall thickness	90mm	
PVC Pipe 100mm Ø, 4.2-7.4mm wall thickness	100mm	
PVC Pipe 110mm Ø, 4.2-7.4mm wall thickness	110mm	
PVC Pipe 125mm Ø, 6mm wall thickness	125mm	
PVC Pipe 140mm Ø, 6.1-7.5mm wall thickness	140mm	
PVC Pipe 160mm Ø, 6.2-9.5mm wall thickness	160mm	

Service(s)	Astro X series CE pipe Collar Ref	Classification
PP Pipe 32mm Ø, 2.9mm wall thickness	32mm	EI 120 U/C
PP Pipe 40mm Ø, 2.9mm wall thickness	40mm	
PP Pipe 50mm Ø, 2.9mm wall thickness	50mm	
PP Pipe 55mm Ø, 2.9-4.4mm wall thickness	55mm	
PP Pipe 63mm Ø, 2.9-4.4mm wall thickness	63mm	
PP Pipe 75mm Ø, 2.8-6.7mm wall thickness	75mm	
PP Pipe 82mm Ø, 2.8-6.7mm wall thickness	82mm	
PP Pipe 90mm Ø, 2.7-10mm wall thickness	90mm	
PP Pipe 100mm Ø, 2.7-10mm wall thickness	100mm	
PP Pipe 110mm Ø, 2.7-10mm wall thickness	110mm	
PP Pipe 125mm Ø, 3.1mm wall thickness	125mm	
PP Pipe 140mm Ø, 3.5-8mm wall thickness	140mm	

Service(s)	Astro X series CE pipe Collar Ref	Classification
PE Pipe 32mm Ø, 2.9mm wall thickness	32mm	EI 120 U/C
PE Pipe 40mm Ø, 2.9mm wall thickness	40mm	
PE Pipe 50mm Ø, 2.9mm wall thickness	50mm	
PE Pipe 55mm Ø, 2.9-4.4mm wall thickness	55mm	
PE Pipe 63mm Ø, 2.9-4.4mm wall thickness	63mm	
PE Pipe 75mm Ø, 2.8-6.7mm wall thickness	75mm	
PE Pipe 82mm Ø, 2.8-6.7mm wall thickness	82mm	
PE Pipe 90mm Ø, 2.7-10mm wall thickness	90mm	
PE Pipe 100mm Ø, 2.7-10mm wall thickness	100mm	
PE Pipe 110mm Ø, 2.7-10mm wall thickness	110mm	
PE Pipe 125mm Ø, 3.1mm wall thickness	125mm	
PE Pipe 140mm Ø, 3.9-5.8mm wall thickness	140mm	
PE Pipe 160mm Ø, 4.9-9.5mm wall thickness	160mm	

B25 Insulated Plastic Pipe Penetrations in Flexible or Rigid Walls min. 100 mm thick**B25.1 Double Layer (50mm) Astro Batt and Coating Penetration Seal B****25.1.1 Insulated Plastic Pipes****Construction details:**

- Double layer of Astro Batt and Coating (50mm) installed internally within the wall.
- Max. Aperture size 730mm wide x 1200mm high
- Astro X series CE pipe Wrap UL secured internally within both faces of the Astro Batt and Coating
- Penetrations positioned as per option 1 or 2 below, 0mm distance between services and 50mm to edge of seal.
- First service support 400mm from both faces of the substrate.



Service(s)	Astro X series CE pipe Wrap UL Ref	Classification
PVC Pipe 40mm Ø, 1.9mm wall thickness. 25 mm thick Kingspan Kooltherm FM insulation (C/S)	3 x 2mm thickness	E 120 U/C EI 90 U/C
PVC Pipe 40mm Ø, 3mm wall thickness. 15 mm thick Kingspan Kooltherm FM insulation (C/S)	3 x 2mm thickness	
PVC Pipe 110mm Ø, 4.2mm wall thickness. 25 mm thick Kingspan Kooltherm FM insulation (C/S)	5 x 2mm thickness	EI 120 U/C
PVC Pipe 110mm Ø, 6.6mm wall thickness. 20 mm thick Kingspan Kooltherm FM insulation (C/S)	5 x 2mm thickness	E 120 U/C EI 90 U/C
PVC Pipe 40mm Ø, 1.9mm wall thickness. 32 mm thick Armacell Armaflex Class O (C/S)	3 x 2mm thickness	E 120 U/C EI 90 U/C
PVC Pipe 40mm Ø, 3mm wall thickness. 9 mm thick Armacell Armaflex Class O (C/S)	3 x 2mm thickness	
PVC Pipe 110mm Ø, 4.2mm wall thickness. 32 mm thick Armacell Armaflex Class O (C/S)	5 x 2mm thickness	EI 120 U/C
PVC Pipe 110mm Ø, 6.6mm wall thickness. 13 mm thick Armacell Armaflex Class O (C/S)	5 x 2mm thickness	E 120 U/C EI 90 U/C

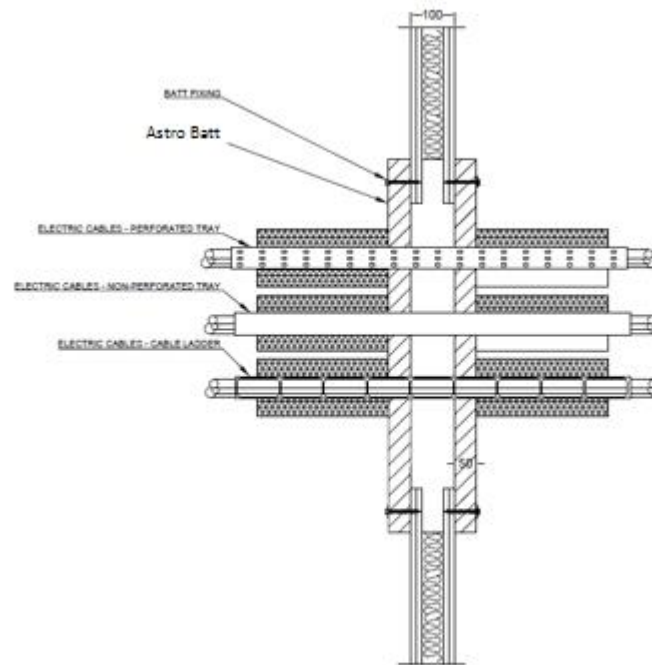
B26 Single Layer (50mm) Astro Batt and Coating Pattress Installed Both Faces Penetration Seal in Flexible or Rigid Walls min. 100 mm thick

B26.1 Double Layer (50mm) Astro Batt and Coating Penetration both faces of the wall

26.1.1 Cable Penetrations

Construction details:

- Single layer of Astro Batt and Coating (50mm) installed both faces of the wall.
- Pattress installation of Astro Batt and Coating. The Batts are installed in horizontal rows and fixed in minimum two vertical edges. Overlap of batts to substrate min 100mm. Batts mechanically fixed to substrate with min 6mm x 80mm steel screws and steel retaining washer. Fixings installed at max 300mm centers.
- Max. Aperture size 750mm wide x 1200mm high
- Cables and cable trays wrapped with a single layer of 40mm thick, 40kg/m³ Stone wool (L/I 300mm)
- First service support 400mm from both faces of the substrate



Service(s)	Classification
Electrical cables up to 80mm Ø	EI 120
Cable Trays and Ladders	
100 mm diameter bundle telecommunication cable type "F"	
Unsheathed electrical cables up to 24mm Ø	
Steel or Copper Conduits up to 16mm Ø	
Plastic conduits up to 16mm Ø	

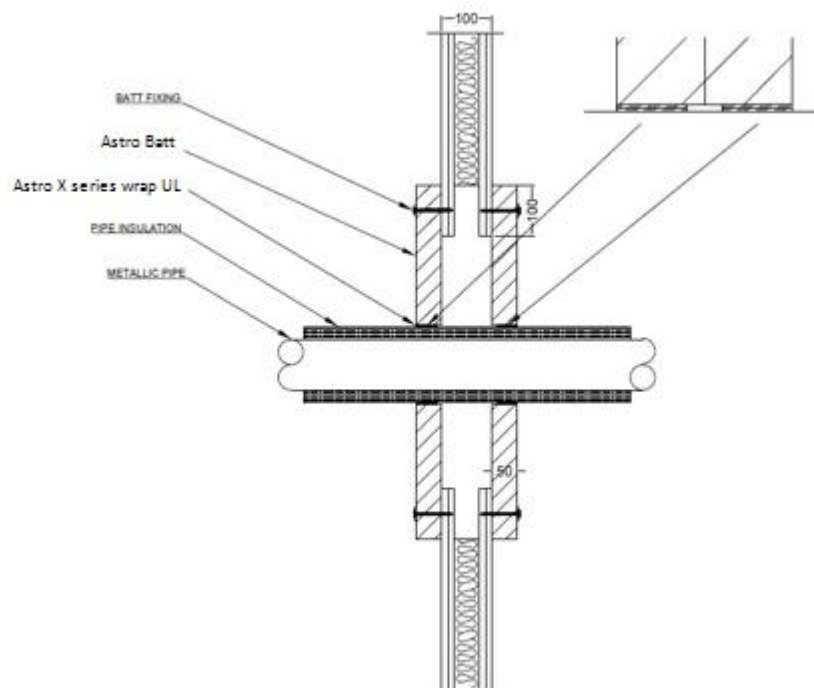
B27 Single Layer (50mm) Astro Batt and Coating Pattress Installed Both Faces Penetration Seal

B27.1 Double Layer (50mm) Astro Batt and Coating Penetration both faces of the wall

B27.1.1 Metallic Pipe Penetrations

Construction details:

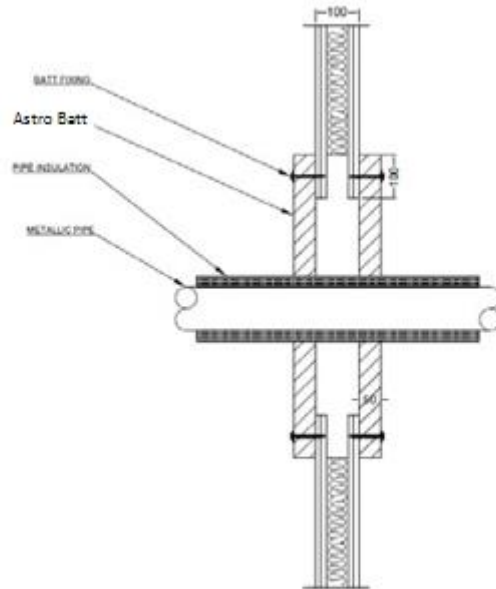
- Single layer of Astro Batt and Coating (50mm) installed both faces of the wall.
- Pattress installation of Astro Batt and Coating. The Batts are installed in horizontal rows and fixed in minimum two vertical edges. Overlap of batts to substrate min 100mm. Batts mechanically fixed to substrate with min 6mm x 80mm steel screws and steel retaining washer. Fixings installed at max 300mm centers.
- Max. Aperture size 750mm wide x 1200mm high
- Continuous / Sustained CS insulated metallic pipes.
- 2 x 2mm thick layers of Astro X series CE pipe Wrap UL installed both sides of the Astro Batt and Coating
- First service support 400mm from both faces of the substrate



Service(s)	Classification
² Steel or Copper Pipe 42-159mm Ø, 1.2mm – 14.2mm wall thickness. 13-25mm thick K Flex ST Insulation (C/S)	E 120 C/U EI 60 C/U
² Steel or Copper Pipe 42-159mm Ø, 1.2 – 14.2mm wall thickness. 25mm thick K Flex ST insulation (C/S)	E 120 C/U EI 90 C/U
² Steel or Copper Pipe 42mm Ø, 1 – 14.2mm wall thickness. 25-13mm thick K Flex ST insulation (C/S)	EI 120 C/U
² Steel or Copper Pipe 42-108mm Ø, 1.2 – 14.2mm wall thickness. 25 -40mm thick Kingspan Kooltherm FM insulation (C/S)	E 120 C/U EI 90 C/U
² Steel or Copper Pipe 42mm Ø, 1–14.2mm wall thickness. 25 -40mm thick Kingspan Kooltherm FM insulation (C/S)	EI 120 C/U
² Steel or Copper Pipe 42mm Ø, 1.2–14.2mm wall thickness. 50mm thick glassfibre insulation min. 30kg/m ³ (C/S)	E 120 C/U EI 90 C/U

Construction details:

- Single layer of Astro Batt and Coating (50mm) installed both faces of the wall.
- Pattress installation of Astro Batt and Coating. The Batts are installed in horizontal rows and fixed in minimum two vertical edges. Overlap of batts to substrate min 100mm. Batts mechanically fixed to substrate with min 6mm x 80mm steel screws and steel retaining washer. Fixings installed at max 300mm centers.
- Max. Aperture size 600mm wide x 600mm high
- Continuous / Sustained CS insulated metallic pipes.
- First service support 400mm from both faces of the substrate



Service(s)	Classification
Steel or Copper Pipe 42-159mm Ø, 1.2mm – 14.2mm wall thickness. 25mm thick foil faced glassfibre insulation min. 30kg/m ³ (C/S)	E 120 C/U EI 90 C/U
Steel or Copper Pipe 42mm Ø, 1mm – 14.2mm wall thickness. 25mm thick foil faced glassfibre insulation min. 30kg/m ³ (C/S)	EI 120 C/U

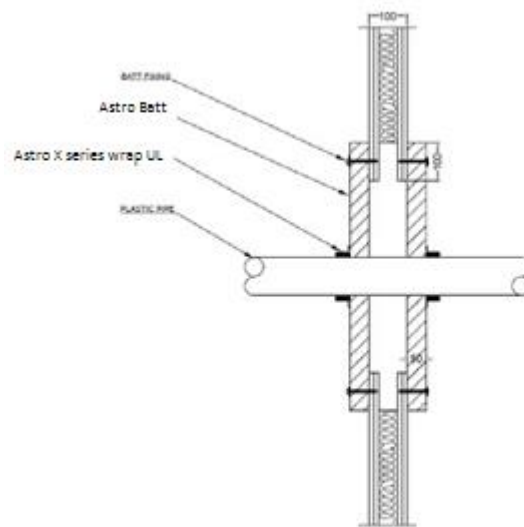
B28 Single Layer (50mm) Astro Batt and Coating Pattress Installed Both Faces Penetration Seal

B28.1 Double Layer (50mm) Astro Batt and Coating Penetration both faces of the wall

B28.1.1 Plastic Pipe Penetrations

Construction details:

- Single layer of Astro Batt and Coating (50mm) installed both faces of the wall.
- Pattress installation of Astro Batt and Coating. The Batts are installed in horizontal rows and fixed in minimum two vertical edges. Overlap of batts to substrate min 100mm. Batts mechanically fixed to substrate with min 6mm x 80mm steel screws and steel retaining washer. Fixings installed at max 300mm centers.
- Max. Aperture size 730mm wide x 1200mm high
- Astro X series CE pipe Collar secured both faces of the substrate utilizing 80mm long steel pig tail screw through to Astro Batt and Coating
- Penetrations positioned as per option 1 or 2 below, 0mm distance between services and 50mm to edge of seal.
- First service support 400mm from both faces of the substrate.



Service(s)	Astro X series CE pipe Collar Ref	Classification
PVC Pipe 32mm Ø, 1.8mm wall thickness	32mm	EI 120 U/C
PVC Pipe 40mm Ø, 1.8mm wall thickness	40mm	
PVC Pipe 50mm Ø, 1.8mm wall thickness	50mm	
PVC Pipe 55mm Ø, 1.8-2.3mm wall thickness	55mm	
PVC Pipe 63mm Ø, 2.3-3mm wall thickness	63mm	
PVC Pipe 75mm Ø, 3.1-4.8mm wall thickness	75mm	
PVC Pipe 82mm Ø, 3.1-4.8mm wall thickness	82mm	
PVC Pipe 90mm Ø, 4.2-7.4mm wall thickness	90mm	
PVC Pipe 100mm Ø, 4.2-7.4mm wall thickness	100mm	
PVC Pipe 110mm Ø, 4.2-7.4mm wall thickness	110mm	
PVC Pipe 125mm Ø, 6mm wall thickness	125mm	
PVC Pipe 140mm Ø, 6.1-7.5mm wall thickness	140mm	
PVC Pipe 160mm Ø, 6.2-9.5mm wall thickness	160mm	

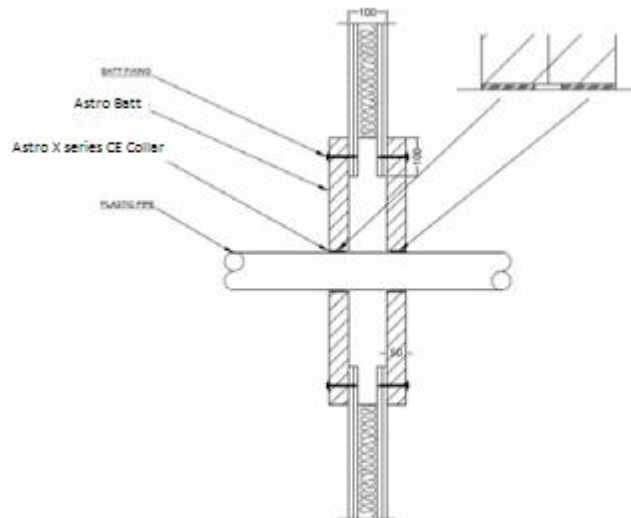
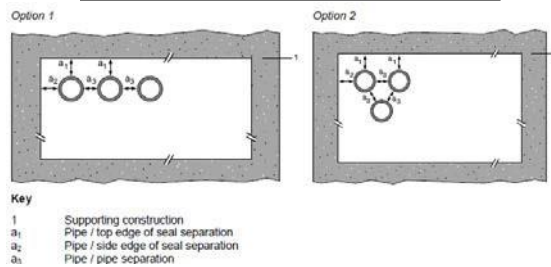
Service(s)	Astro X series CE pipe Collar Ref	Classification
PP Pipe 32mm Ø, 2.9mm wall thickness	32mm	EI 120 U/C
PP Pipe 40mm Ø, 2.9mm wall thickness	40mm	
PP Pipe 50mm Ø, 2.9mm wall thickness	50mm	
PP Pipe 55mm Ø, 2.9-4.4mm wall thickness	55mm	
PP Pipe 63mm Ø, 2.9-4.4mm wall thickness	63mm	
PP Pipe 75mm Ø, 2.8-6.7mm wall thickness	75mm	
PP Pipe 82mm Ø, 2.8-6.7mm wall thickness	82mm	
PP Pipe 90mm Ø, 2.7-10mm wall thickness	90mm	
PP Pipe 100mm Ø, 2.7-10mm wall thickness	100mm	
PP Pipe 110mm Ø, 2.7-10mm wall thickness	110mm	
PP Pipe 125mm Ø, 3.1mm wall thickness	125mm	
PP Pipe 140mm Ø, 3.5-8mm wall thickness	140mm	
PP Pipe 160mm Ø, 4-14.6mm wall thickness	160mm	

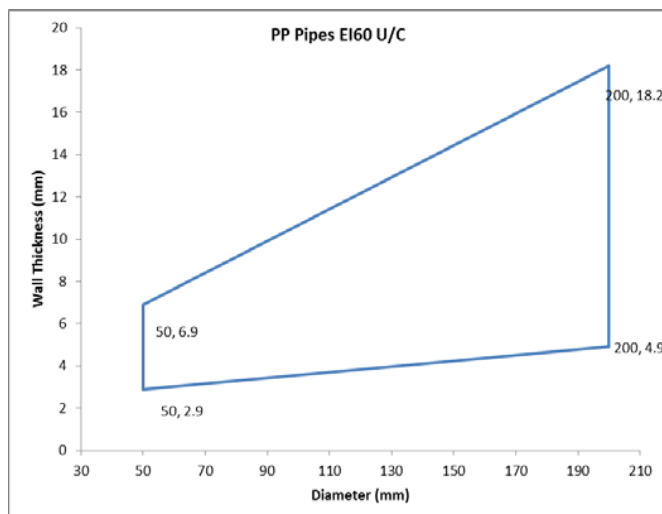
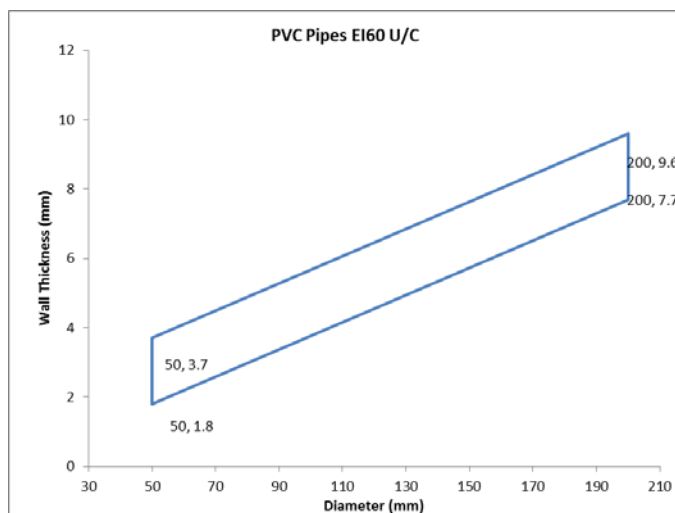
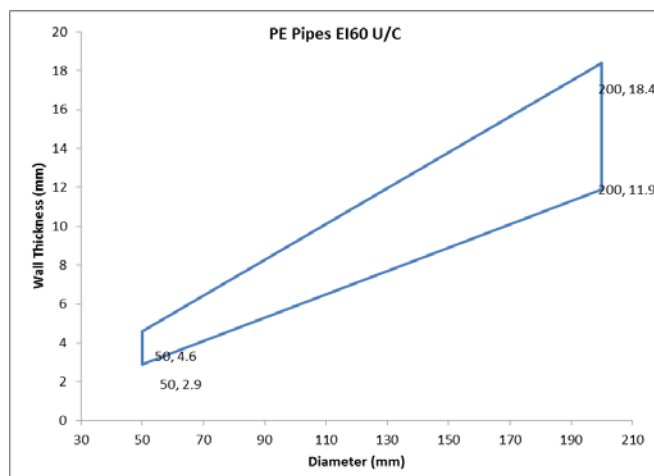
Service(s)	Astro X series CE pipe Collar Ref	Classification
PE Pipe 32mm Ø, 2.9mm wall thickness	32mm	EI 120 U/C
PE Pipe 40mm Ø, 2.9mm wall thickness	40mm	
PE Pipe 50mm Ø, 2.9mm wall thickness	50mm	
PE Pipe 55mm Ø, 2.9-4.4mm wall thickness	55mm	
PE Pipe 63mm Ø, 2.9-4.4mm wall thickness	63mm	
PE Pipe 75mm Ø, 2.8-6.7mm wall thickness	75mm	
PE Pipe 82mm Ø, 2.8-6.7mm wall thickness	82mm	
PE Pipe 90mm Ø, 2.7-10mm wall thickness	90mm	
PE Pipe 100mm Ø, 2.7-10mm wall thickness	100mm	
PE Pipe 110mm Ø, 2.7-10mm wall thickness	110mm	
PE Pipe 125mm Ø, 3.1mm wall thickness	125mm	
PE Pipe 140mm Ø, 3.9-5.8mm wall thickness	140mm	
PE Pipe 160mm Ø, 4.9-9.5mm wall thickness	160mm	

Construction details:

- Single layer of Astro Batt and Coating (50mm) installed both faces of the wall.
- Pattress installation of Astro Batt and Coating. The Batts are installed in horizontal rows and fixed in minimum two vertical edges. Overlap of batts to substrate min 100mm. Batts mechanically fixed to substrate with min 6mm x 80mm steel screws and steel retaining washer. Fixings installed at max 300mm centers.
- Max. Aperture size 730mm wide x 1200mm high
- Astro X series CE pipe Wrap secured internally within both faces of the Astro Batt and Coating
- Penetrations positioned as per option 1 or 2 below, 0mm distance between services and 50mm to edge of seal.
- First service support 400mm from both faces of the substrate

Intumescent Thickness	
Pipe Diameter	Intumescent Material
ø 32 mm - ø 50 mm	40 mm (W) x 2 mm (T)
ø 51 mm - ø 82 mm	40 mm (W) x 4 mm (T)
ø 83 mm - ø 115 mm	40 mm (W) x 6 mm (T)
ø 116 mm - ø 160 mm	40 mm (W) x 8 mm (T)
ø 161 mm - ø 200 mm	40 mm (W) x 10 mm (T)
ø 201 mm - ø 250 mm	40 mm (W) x 12 mm (T)





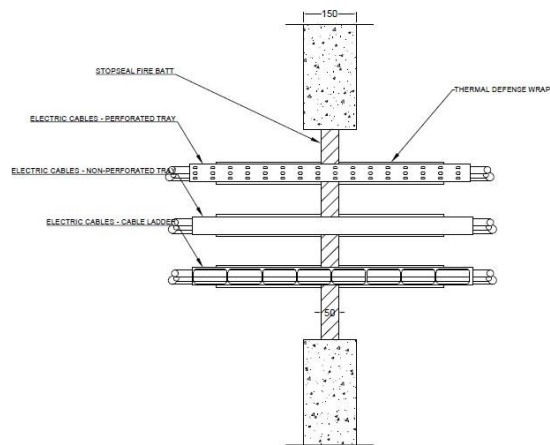
B29 Astro Batt and Coating Penetration Seal in Rigid Walls min. 150 mm thick

B29.1 Single Layer (50mm) Astro Batt and Coating Penetration Seal B

29.1.1 Cable Penetrations

Construction details:

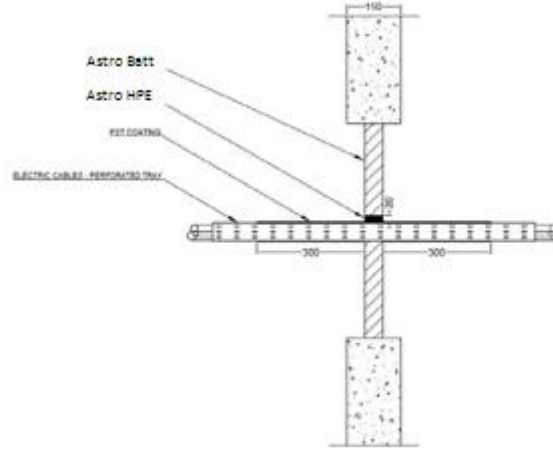
- Single layer of Astro Batt and Coating (50mm) installed internally within the wall.
- Max. Aperture size 600mm wide x 600mm high
- Cables and cable trays wrapped with a single layer of 6mm thick Astro thermal defense wrap (L/I 300mm)
- First service support 250mm from both faces of the substrate



Service(s)	Classification
Electrical cables up to 80mm Ø	EI 60
Cable Trays and Ladders	EI 60
100 mm diameter bundle telecommunication cable type "F"	EI 60
Unsheathed electrical cables up to 24mmØ	EI 60

Construction details:

- Single layer of Astro Batt and Coating (50mm) installed internally within the wall.
- Max. Aperture size 750mm wide x 1100mm high
- All cables coated with 2mm DFT PST Coating 300mm along the cables both sides of the seal.
- 50mm deep x 20mm wide anulus Astro HPE Sealant First service support 400mm from both faces of the substrate



Service(s)	Classification
500mm perforated cable tray	EI 30
Electrical cables up to 21mm ø	EI 45
1 off 'C1' Cable	
1 off 'C2' Cable	
1 off 'C3' Cable	

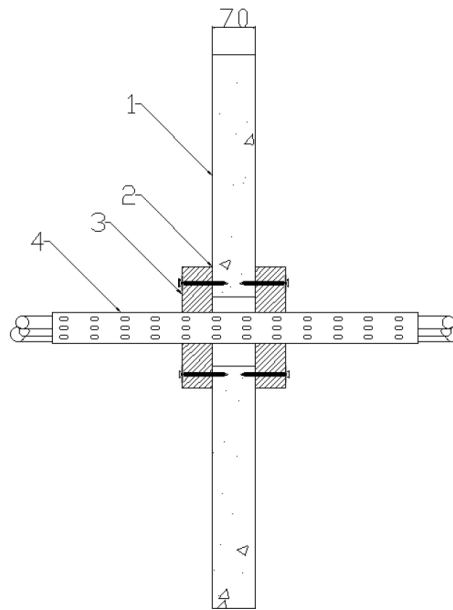
B30 Astro Batt and Coating Penetration Seal in Rigid Walls min. 70 mm thick

B30.1 Single Layer (50mm) Astro Batt and Coating Penetration Seal

B30.1.1 Cable Penetrations

Construction details:

- Single layer Pattress Astro Batt and Coating (50mm), Electrical cables.
- Max. Aperture size 730mm wide x 1200 mm high
- Astro intu Mastic (2)
- Astro Batt and Coating (3)

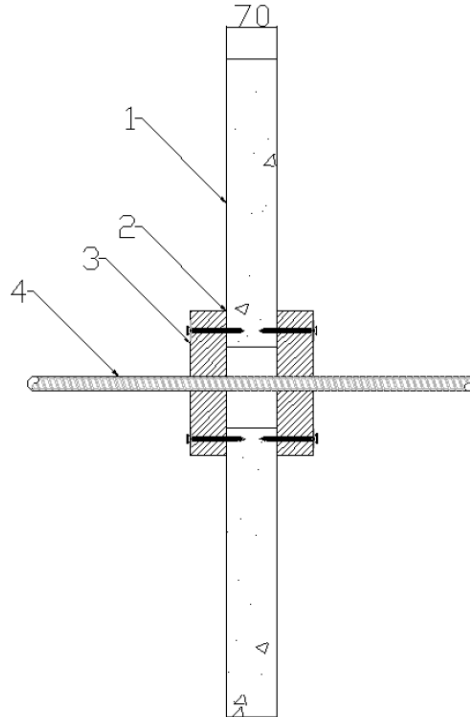


Penetration Specification	Classification
500mm wide x 60mm deep steel cable basket containing 3 x type 'B' cable and 20 x bundle of telecoms cables	EI 90
500mm wide x 60mm deep steel cable tray containing 1 x type 'B' cable, 3 x type 'A1' cable, 3 x type 'A2' cable, and 3 x type 'A3' cable	

Pattress installation of Astro Batt and Coating. The Batts are installed in horizontal rows and fixed on all edges. Overlap of batts to substrate min 50mm. Batts mechanically fixed to substrate with min 6mm x 80mm steel screws and steel retaining washer. Fixings installed at max 300mm centers

Construction details:

- Single layer Pattress Astro Batt and Coating (50mm), Electrical cables and Conduits.
- Max. Aperture size 730mm wide x 1200 mm high
- Astro intu Mastic (2)
- Astro Batt and Coating (3)

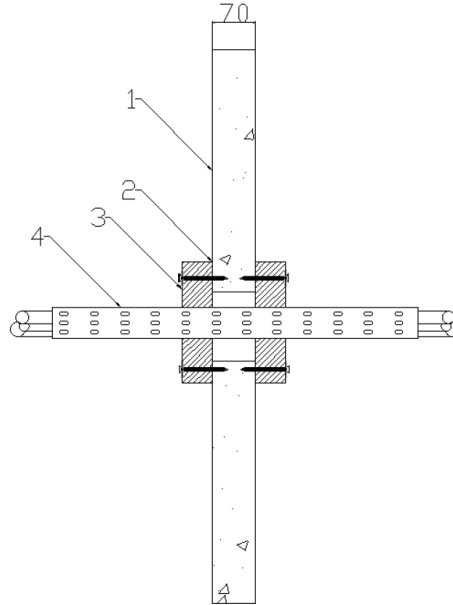


Penetration Specification	Classification
20mm dia Adaptaflex SPL20 flexible conduit	EI 90
20mm dia Kopex KSU 316 stainless steel flexible conduit	
150mm wide x 60mm deep steel cable tray containing 4 x FP200 Gold (Firealarm cable 7mm dia red) Cables	EI 90 EI 60

Pattress installation of Astro Batt and Coating. The Batts are installed in horizontal rows and fixed on all edges. Overlap of batts to substrate min 50mm. Batts mechanically fixed to substrate with min 6mm x 80mm steel screws and steel retaining washer. Fixings installed at max 300mm centres

Construction details:

- Single layer Pattress Astro Batt and Coating (50mm), Electrical cables.
- Max. Aperture size 2600mm wide x 2600 mm high
- Cables and cable trays wrapped with Stone Wool Insulation 45mm thick, 40Kg/m³ (L/I 200mm)
- Astro intu Mastic (2)
- Astro Batt and Coating (3)

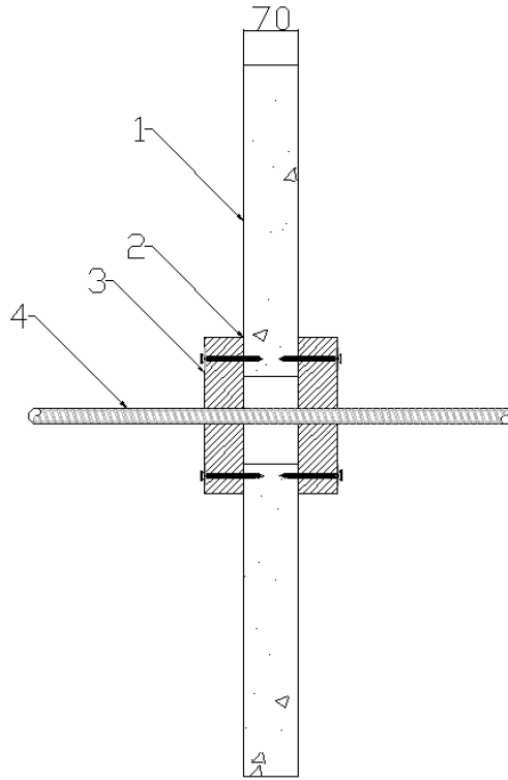


Penetration Specification	Classification
500mm wide x 60mm deep steel cable basket containing 3 x type 'B' cable and 20 x bundle of telecoms cables	EI 60
500mm wide x 60mm deep steel cable tray containing 1 x type 'B' cable, 3 x type 'A1' cable, 3 x type 'A2' cable, and 3 x type 'A3' cable	

Pattress installation of Astro Batt and Coating. The Batts are installed in horizontal rows and fixed on all edges. Overlap of batts to substrate min 50mm. Batts mechanically fixed to substrate with min 6mm x 80mm steel screws and steel retaining washer. Fixings installed at max 300mm centers.

Construction details:

- Single layer Pattress Astro Batt and Coating (50mm), Electrical cables and Conduits.
- Max. Aperture size 2600mm wide x 2600 mm high
- Astro intu Mastic (2)
- Astro Batt and Coating (3)



Penetration Specification	Classification
20mm dia Adaptaflex SPL20 flexible conduit	EI 60
20mm dia Kopex KSU 316 stainless steel flexible conduit	
150mm wide x 60mm deep steel cable tray containing 4 x FP200 Gold (Firealarm cable 7mm dia red) Cables	

Pattress installation of Astro Batt and Coating. The Batts are installed in horizontal rows and fixed on all edges. Overlap of batts to substrate min 50mm. Batts mechanically fixed to substrate with min 6mm x 80mm steel screws and steel retaining washer. Fixings installed at max 300mm centers

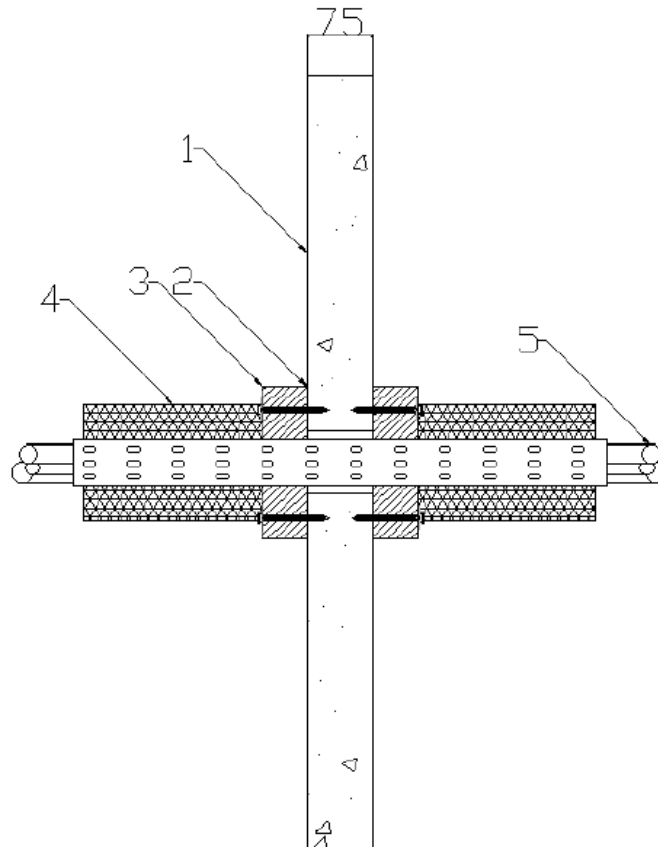
B31 Astro Batt and Coating Penetration Seal in Rigid Walls min. 75 mm thick

B31.1 Single Layer (50mm) Astro Batt and Coating Penetration Seal

B31.1.1 Cable Penetrations

Construction details:

- Single layer Pattress Astro Batt and Coating (50mm), Electrical cables and Cable Trunking
- Max. Aperture size 2600mm wide x 2600 mm high
- Astro intu Mastic (2)
- Astro Batt and Coating (3)
- Insulation (4)

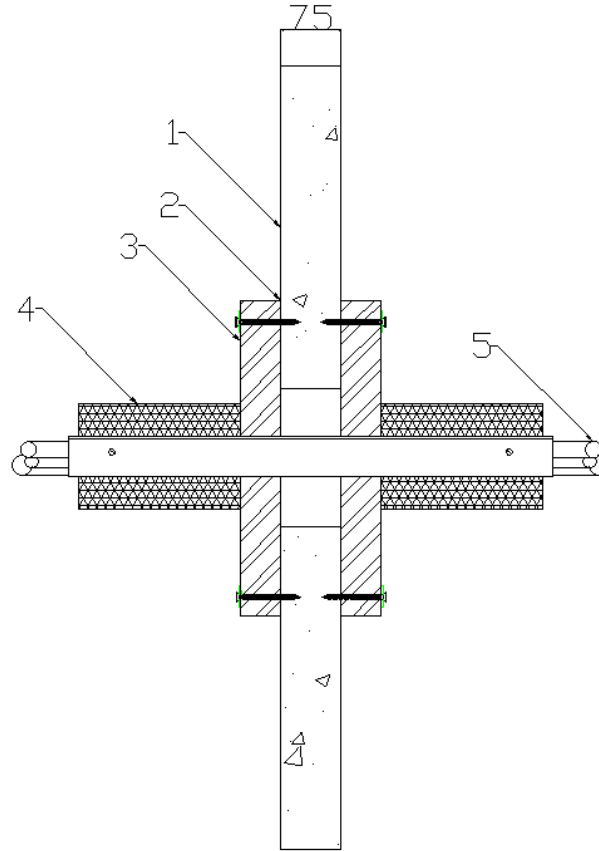


Penetration Specification	Classification
50mm x 50mm Insulated steel cable trunking, Stone Wool 40mm thick, 45kg/m ³ (LI 400mm). Astro X series Pillows tightly fitted around the cables in the section of trunking within the depth of the partition	EI 60 U/U
Cables 1xA1, 1xA2, 1xA3	EI 60
Cables 1xA1	
Cables 1xA2	
Cables 1xA3	

Pattress installation of Astro Batt and Coating. The Batts are installed in horizontal rows and fixed in minimum two vertical edges. Overlap of batts to substrate min 50mm. Batts mechanically fixed to substrate with min 6mm x 80mm steel screws and steel retaining washer. Fixings installed at max 300mm centers.

Construction details:

- Single layer Pattress Astro Batt and Coating (50mm), Electrical cables and Cable Trunking
- Max. Aperture size 2600mm wide x 2600 mm high
- Astro intu Mastic (2)
- Astro Batt and Coating (3)
- Insulation (4)



Penetration Specification	Classification
150mm x 150mm Insulated steel cable trunking, Stone Wool 40mm thick, 45kg/m3 (LI 400mm). Astro X series Pillows tightly fitted around the cables in the section of trunking within the depth of the partition	EI 60 U/U
Cables 1xB1, 1xC1, 1xG1, 1xG2	
Cables 1xB1	EI 60
Cables 1xB1	
Cables 1xC1	
Unsheathed electrical cables 0-24 mm dia	

Pattress installation of Astro Batt and Coating. The Batts are installed in horizontal rows and fixed in minimum two vertical edges. Overlap of batts to substrate min 50mm. Batts mechanically fixed to substrate with min 6mm x 80mm steel screws and steel retaining washer. Fixings installed at max 300mm centers.

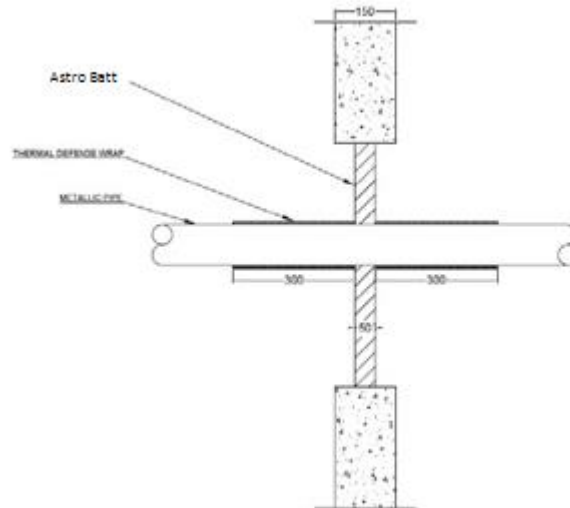
B32 Astro Batt and Coating Penetration Seal in Rigid Walls min. 150 mm thick

B32.1 Single Layer (50mm) Astro Batt and Coating Penetration Seal

B32.1.1 Metallic Pipe Penetrations

Construction details:

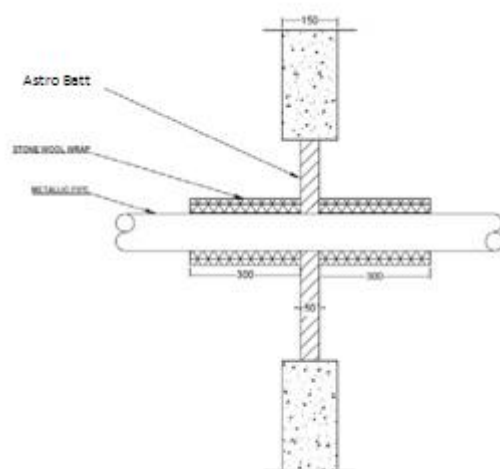
- Single layer of Astro Batt and Coating (50mm) installed internally within the wall.
- Max. Aperture size 600mm wide x 600mm high
- Metallic pipes wrapped with a single layer of 6mm thick Astro thermal defense wrap (L/I 300mm)
- First service support 250mm from both faces of the substrate



Service(s)	Classification
Steel or Copper Pipe 108mm Ø, 1.5mm – 14.2mm Wall Thickness. 6mm thick Astro thermal defense wrap (L/I 300mm)	E 60 C/U EI 45 C/U

Construction details:

- Single layer of Astro Batt and Coating (50mm) installed internally within the wall.
- Max. Aperture size 730mm wide x 1100mm high
- First service support 400mm from both faces of the substrate



Service(s)	Classification
Steel or Copper Pipe 42mm Ø, 1.2mm – 14.2mm wall thickness. (L/I 300mm) 40mm stone wool insulation (min 40Kg/m ³)	EI 45 C/U
Steel or Copper Pipe 42mm – 159mm Ø, 2mm – 14.2mm wall thickness. (L/I 300mm) 40mm stone wool insulation (min 40Kg/m ³)	E 45 C/U EI 15 C/U

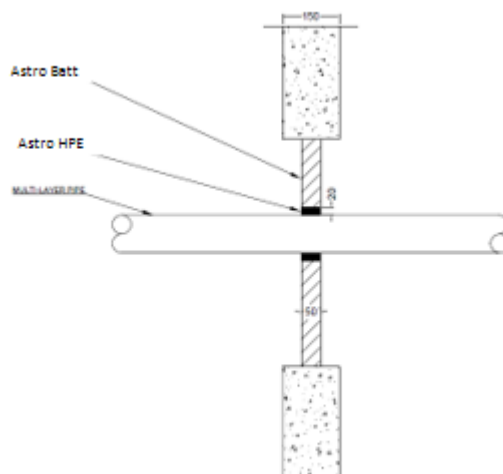
B33 Astro Batt and Coating Penetration Seal in Rigid Walls min. 150 mm thick

B33.1 Single Layer (50mm) Astro Batt and Coating Penetration Seal

B33.1.1 Plastic Pipe Penetrations

Construction details:

- Single layer of Astro Batt and Coating (50mm) installed internally within the wall.
- Max. Aperture size 750mm wide x 1100mm high
- Astro HPE Sealant 20mm annulus full 50mm depth of the Astro Batt and Coating
- First service support 400mm from both faces of the substrate



Penetration Specification	Classification
Uponor MLC (Multi-Layer Composite) Pipe 40mm \varnothing 4mm wall thickness	E 45 U/C EI 30 U/C
Uponor MLC (Multi-Layer Composite) Pipe 50mm \varnothing 4.5mm wall thickness	
Uponor MLC (Multi-Layer Composite) Pipe 63mm \varnothing 6mm wall thickness	
Uponor MLC (Multi-Layer Composite) Pipe 75mm \varnothing 7.5mm wall thickness	
Uponor MLC (Multi-Layer Composite) Pipe 90mm \varnothing 8.5mm wall thickness	
Uponor MLC (Multi-Layer Composite) Pipe 110mm \varnothing 10mm wall thickness	

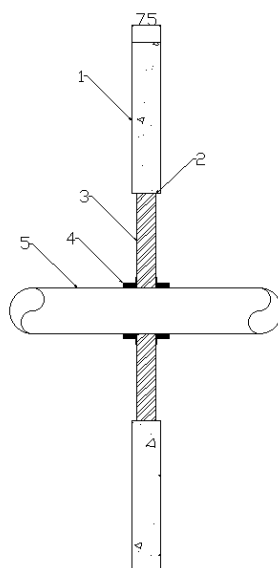
B34 Astro Batt and Coating Penetration Seal in Rigid Walls min. 75 mm thick

B34.1 Single Layer (50mm) Astro Batt and Coating Penetration Seal

B34.1.1 Plastic Pipe Penetrations

Construction details:

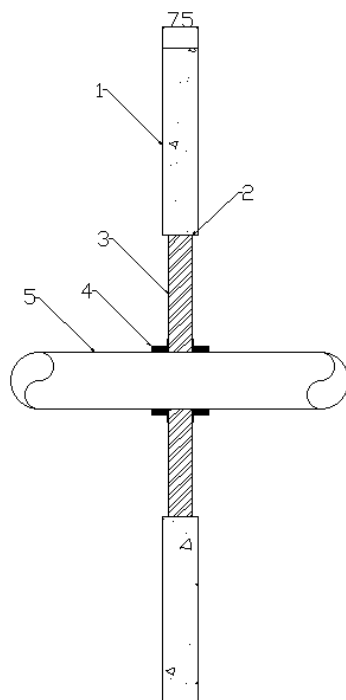
- Single layer of Astro Batt and Coating (50mm) Plastic Pipes
- Max. Aperture size 600mm wide x 600mm high
- Penetrations positioned as per option 1 or 2 below, 0 mm distance between services and 50 mm to edge of seal
- Collars secured both faces of the substrate utilizing 80 mm long steel pig tail screw through to Astro Batt and Coating
- Astro intu Mastic (2)
- Astro Batt and Coating (3)
- Astro X series CE pipe Collar (4)
- First service support 400mm from both faces of the substrate



Penetration Specification	Astro X series CE pipe Collar Ref	Classification
PVC Pipe 32mm Ø, 1.8mm wall thickness	32 mm	EI 60 U/C
PVC Pipe 40mm Ø, 1.8mm wall thickness	40 mm	
PVC Pipe 50mm Ø, 1.8mm wall thickness	50 mm	
PVC Pipe 55mm Ø, 1.8-2.3mm wall thickness	55 mm	
PVC Pipe 63mm Ø, 2.3-3mm wall thickness	63 mm	
PVC Pipe 75mm Ø, 3.1-4.8mm wall thickness	75 mm	
PVC Pipe 82mm Ø, 3.1-4.8mm wall thickness	82 mm	
PVC Pipe 90mm Ø, 4.2-7.4mm wall thickness	90 mm	
PVC Pipe 100mm Ø, 4.2-7.4mm wall thickness	100 mm	
PVC Pipe 110mm Ø, 4.2-7.4mm wall thickness	110 mm	
PVC Pipe 125mm Ø, 6mm wall thickness	125 mm	
PVC Pipe 140mm Ø, 6.1-7.5mm wall thickness	140 mm	

Construction details:

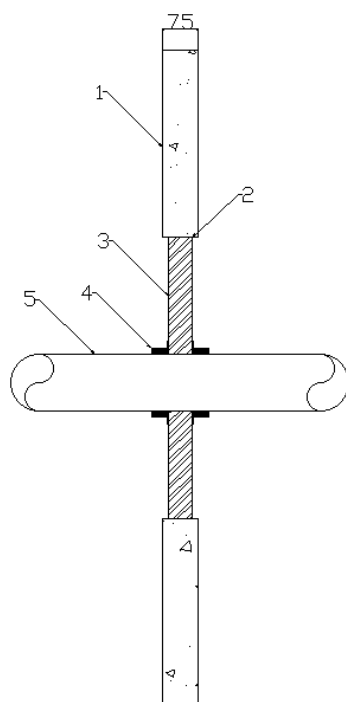
- Single layer of Astro Batt and Coating (50mm) Plastic Pipes
- Max. Aperture size 600mm wide x 600mm high
- Penetrations positioned as per option 1 or 2 below, 0 mm distance between services and 50 mm to edge of seal
- Collars secured both faces of the substrate utilizing 80 mm long steel pig tail screw through to Astro Batt and Coating
- Astro intu Mastic (2)
- Astro Batt and Coating (3)
- Astro X series CE pipe Collar (4)
- First service support 400mm from both faces of the substrate



Penetration Specification	Astro X series CE pipe Collar Ref	Classification
PVC Pipe 32mm Ø, 2.9mm wall thickness	32 mm	EI 60 U/C
PVC Pipe 40mm Ø, 2.9mm wall thickness	40 mm	
PVC Pipe 50mm Ø, 2.9mm wall thickness	50 mm	
PVC Pipe 55mm Ø, 2.9-4.4mm wall thickness	55 mm	
PVC Pipe 63mm Ø, 2.9-4.4mm wall thickness	63 mm	
PVC Pipe 75mm Ø, 2.8-6.7mm wall thickness	75 mm	
PVC Pipe 82mm Ø, 2.8-6.7mm wall thickness	82 mm	
PVC Pipe 90mm Ø, 2.7-10mm wall thickness	90 mm	
PVC Pipe 100mm Ø, 2.7-10mm wall thickness	100 mm	
PVC Pipe 110mm Ø, 2.7-10mm wall thickness	110 mm	
PVC Pipe 125mm Ø, 3.1mm wall thickness	125 mm	
PVC Pipe 140mm Ø, 3.9-8mm wall thickness	140 mm	
PVC Pipe 160mm Ø, 4.9-9.5mm wall thickness	160 mm	

Construction details:

- Single layer of Astro Batt and Coating (50mm) Plastic Pipes
- Max. Aperture size 600mm wide x 600mm high
- Penetrations positioned as per option 1 or 2 below, 0 mm distance between services and 50 mm to edge of seal
- Collars secured both faces of the substrate utilizing 80 mm long steel pig tail screw through to Astro Batt and Coating
- Astro intu Mastic (2)
- Astro Batt and Coating (3)
- Astro X series CE pipe Collar (4)
- First service support 400mm from both faces of the substrate



Penetration Specification	Astro X series CE pipe Collar Ref	Classification
PVC Pipe 32mm Ø, 2.9mm wall thickness	32 mm	EI 60 U/C
PVC Pipe 40mm Ø, 2.9mm wall thickness	40 mm	
PVC Pipe 50mm Ø, 2.9mm wall thickness	50 mm	
PVC Pipe 55mm Ø, 2.9-4.4mm wall thickness	55 mm	
PVC Pipe 63mm Ø, 2.9-4.4mm wall thickness	63 mm	
PVC Pipe 75mm Ø, 2.8-6.7mm wall thickness	75 mm	
PVC Pipe 82mm Ø, 2.8-6.7mm wall thickness	82 mm	
PVC Pipe 90mm Ø, 2.7-10mm wall thickness	90 mm	
PVC Pipe 100mm Ø, 2.7-10mm wall thickness	100 mm	
PVC Pipe 110mm Ø, 2.7-10mm wall thickness	110 mm	
PVC Pipe 125mm Ø, 3.1mm wall thickness	125 mm	
PVC Pipe 140mm Ø, 3.9-8mm wall thickness	140 mm	
PVC Pipe 160mm Ø, 4-14.6mm wall thickness	160 mm	

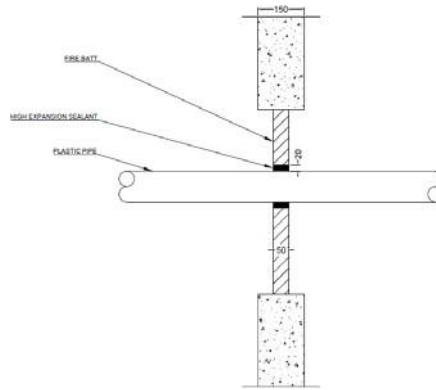
B35 Astro Batt and Coating Penetration Seal in Rigid Walls min. 150 mm thick

B35.1 Single Layer (50mm) Astro Batt and Coating Penetration Seal

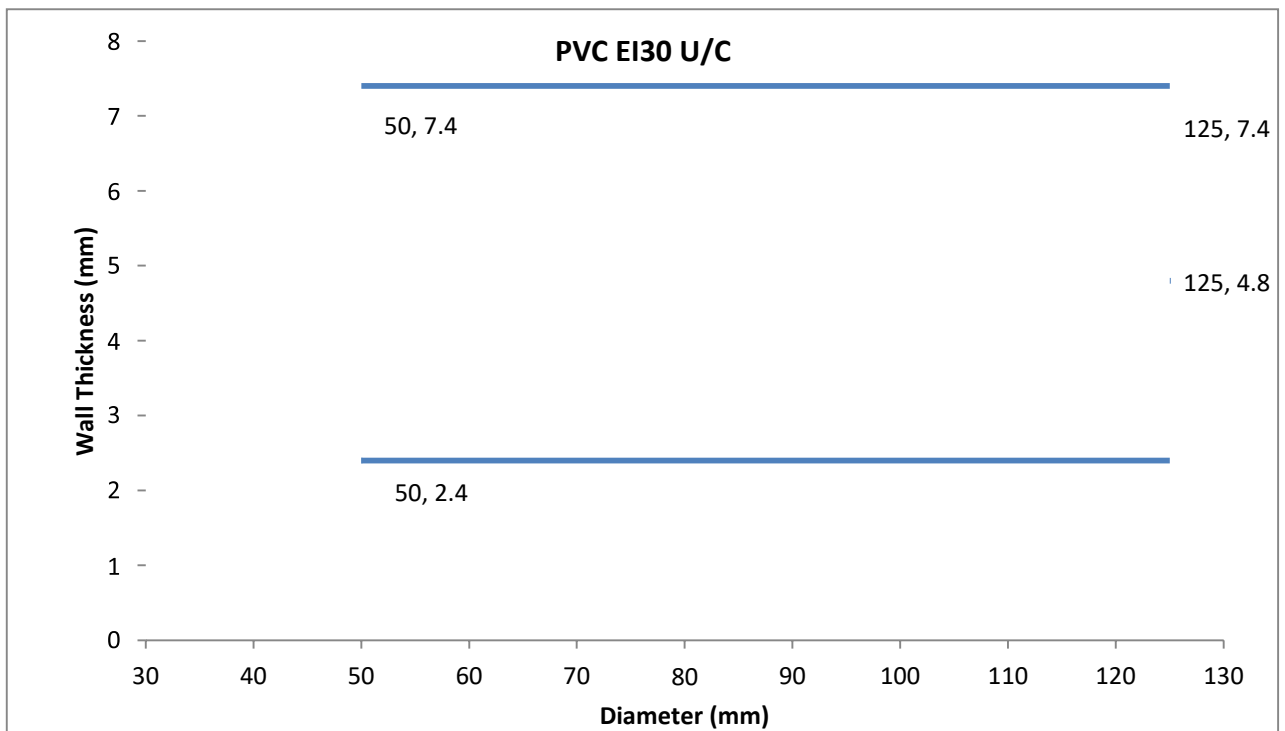
B33.1.1 Plastic Pipe Penetrations

Construction details:

- Single layer of Astro Batt and Coating (50mm) installed internally within the wall.
- Max. Aperture size 750mm wide x 1100mm high
- Astro HPE Sealant 20mm annulus full 50mm depth of the Astro Batt and Coating
- First service support 400mm from both faces of the substrate



Penetration Specification	Classification
PVC Pipe 50mm \varnothing 2.4-7.4mm wall thickness	EI 45 U/C
Also scope as per graphs below	



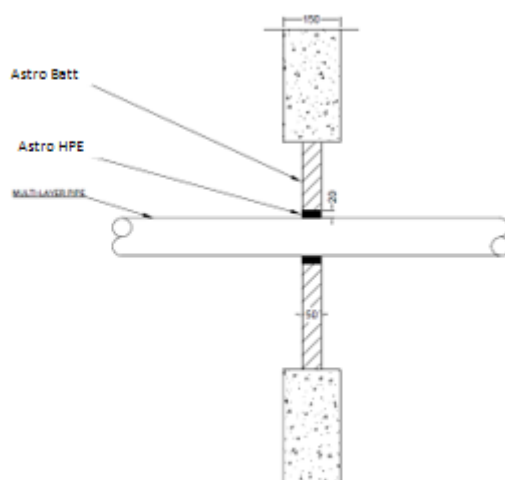
B36 Astro Batt and Coating Penetration Seal in Rigid Walls min. 150 mm thick

B36.1 Double Layer (50mm) Astro Batt and Coating Penetration Seal

B36.1.1 Cable Penetrations

Construction details:

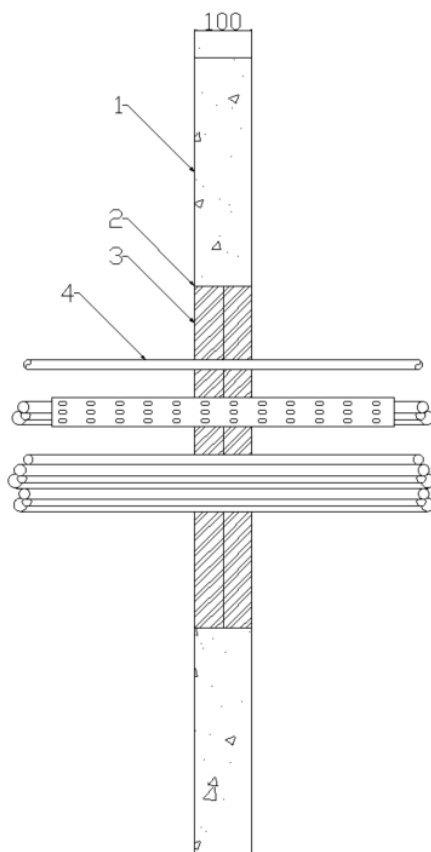
- Double layer of Astro Batt and Coating (50mm) installed internally within the wall.
- Max. Aperture size 700mm wide x 1100mm high
- Cables and cable trays wrapped with Stone Wool Insulation 45mm thick, 40Kg/m³ (L/I 200mm)
- First service support 400mm from both faces of the substrate



Service(s)	Classification
Electrical cables up to 21mm dia	EI 120
Electrical cables 22mm – 80mm dia	E 120, EI 90
Cable Trays and Ladders	EI 120
100 mm diameter bundle telecommunication cable type "F"	EI 120
Unsheathed electrical cables up to 24mm dia	EI 120

Construction details:

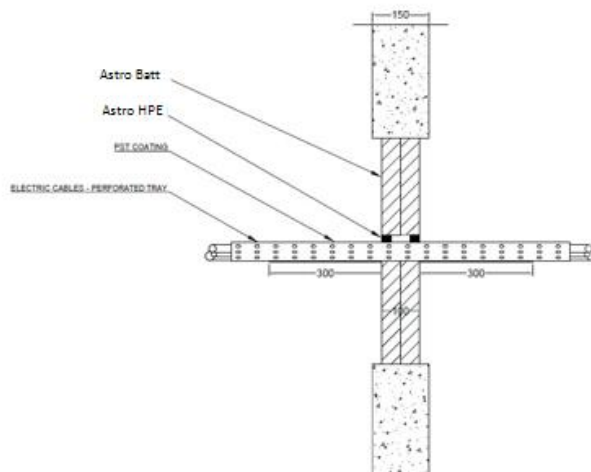
- Double layer of Astro Batt and Coating (50mm) Electrical Cables and Conduits.
- Max. Aperture size 2600mm wide x 2600mm high
- Astro intu Mastic (2)
- Astro Batt and Coating (3)



Service(s)	Classification
Electrical cables up to 21mm dia	EI 60
Electrical cables 22mm – 50mm dia	E 60 EI 45
Electrical cables 22mm – 80mm dia	E 60 EI 30
Cable Trays and Ladders	E 60 EI 45
100 mm diameter bundle telecommunication cable type "F"	EI 60
Unsheathed electrical cables up to 24mm dia	EI 60
Steel or Copper Conduits up to 16 mm	E 60 C/U
Plastic Conduits up to 16 mm	E 60 C/U

Construction details:

- Double layer of Astro Batt and Coating (50mm) installed internally within the wall.
- Max. Aperture size 750mm wide x 1200mm high
- Cables and cable trays wrapped with Stone Wool Insulation 45mm thick, 40Kg/m³ (L/I 200mm)
- Astro HPE Sealant 20mm annulus
- First service support 400mm from both faces of the substrate



Penetration Specification	Classification
500mm perforated cable tray	EI 120
Electrical cables up to 21mm \varnothing	
1 off 'C1' Cable	
1 off 'C2' Cable	E 120 EI 90
1 off 'C3' Cable	EI 120

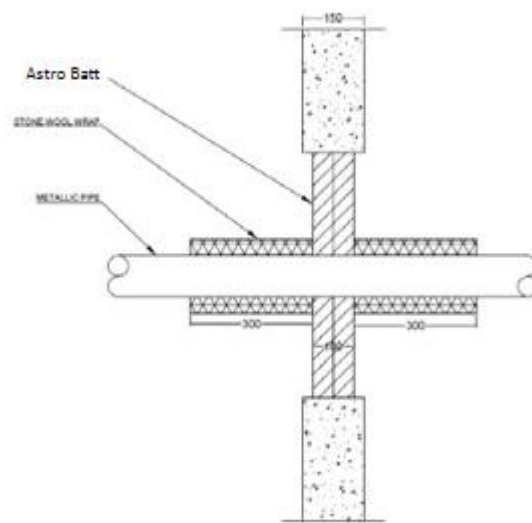
B37 Astro Batt and Coating Penetration Seal in Rigid Walls min. 150 mm thick

B37.1 Double Layer (50mm) Astro Batt and Coating Penetration Seal

B37.1.1 Metallic Pipe Penetrations

Construction details:

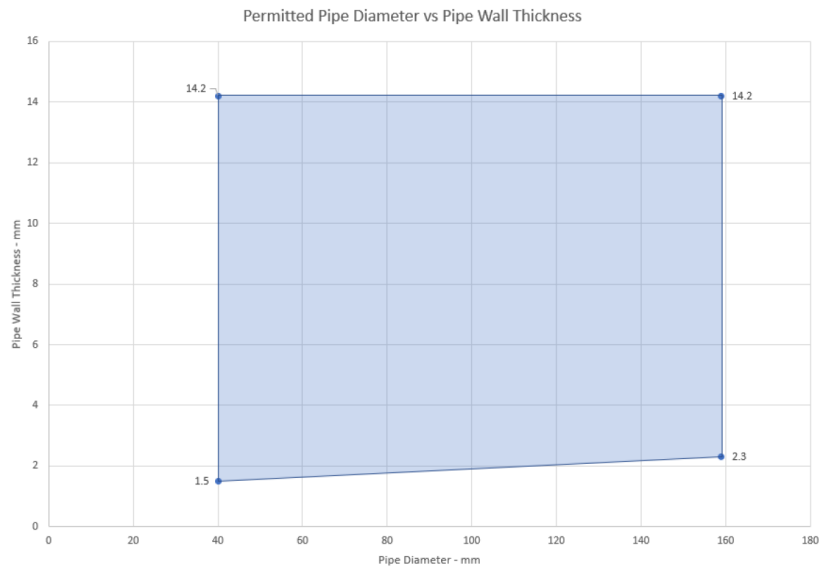
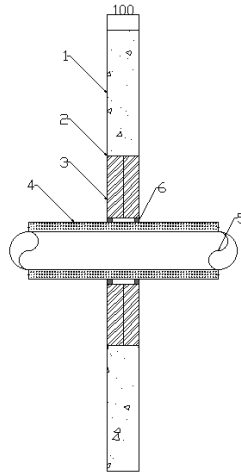
- Double layer of Astro Batt and Coating (50mm) installed internally within the wall.
- Max. Aperture size 700mm wide x 1100mm high
- Cables and cable trays wrapped with 40mm stone wool insulation (min 40Kg/m³) (L/I 300mm)
- First service support 400mm from both faces of the substrate



Service(s)	Classification
Steel or Copper Pipe 42mm Ø, 1.2mm – 14.2mm wall thickness. (L/I 300mm) 40mm stone wool insulation (min 40Kg/m ³)	E 120 C/U EI 60 C/U
Steel or Copper Pipe 42mm – 159mm Ø, 2mm – 14.2mm wall thickness. (L/I 300mm) 40mm stone wool insulation (min 40Kg/m ³)	E 120 C/U EI 30 C/U

Construction details:

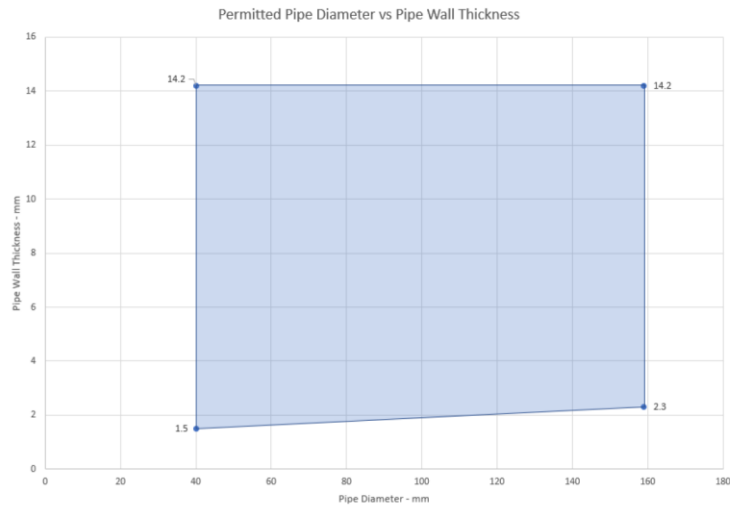
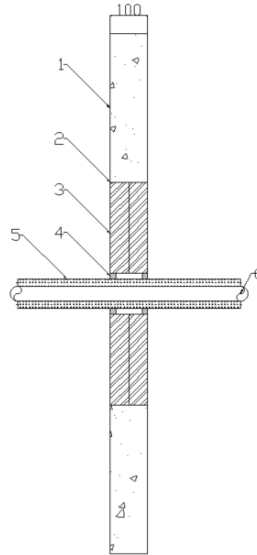
- Double layer of Astro Batt and Coating (50mm) Insulated Metallic Pipes
- Max. Aperture size 730mm wide x 1200mm high
- Single copper or mild steel pipe 40mm diameter and 1.5 – 14.2 mm wall with sustained/continuous 20mm thick foil faced glass wool insulation
- 15mm deep x 15mm wide annulus Astro HPE Sealant to both faces of the pipe



Service(s)	Classification
Single copper or mild steel pipe 40mm diameter and 1.5 – 14.2 mm wall with sustained/continuous 20mm thick foil faced glass wool insulation (min 80Kg/m ³)	E 90 U/C EI 60 U/C
Single copper or mild steel pipe 40-159mm diameter and 1.5 – 14.2 mm wall (see graph above) with sustained/continuous 30mm thick foil faced glass wool insulation (min 80Kg/m ³)	EI 60 U/C

Construction details:

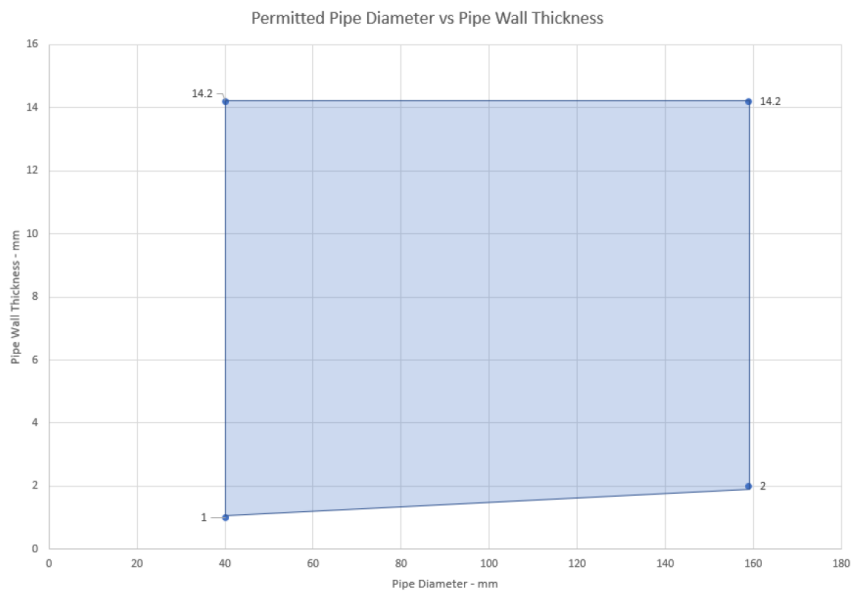
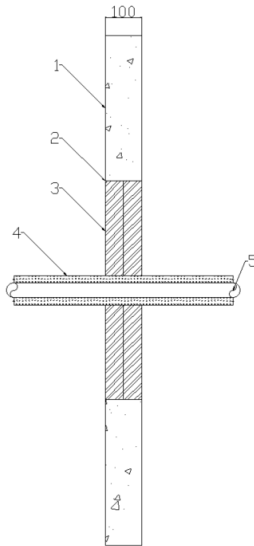
- Double layer of Astro Batt and Coating (50mm) Insulated Metallic Pipes
- Max. Aperture size 2600mm wide x 2600mm high
- Single copper or mild steel pipe 40mm diameter and 1.5 – 14.2 mm wall with sustained/continuous 20mm thick foil faced glass wool insulation
- 15mm deep x 15mm wide annulus Astro HPE Sealant to both faces of the pipe



Service(s)	Classification
Single copper or mild steel pipe 40mm diameter and 1.5 – 14.2 mm wall with sustained/continuous 20mm thick foil faced glass wool insulation (min 80Kg/m ³)	E 90 U/C EI 60 U/C
Single copper or mild steel pipe 40-159mm diameter and 1.5 – 14.2 mm wall (see graph above) with sustained/continuous 30mm thick foil faced glass wool insulation (min 80Kg/m ³)	EI 60 U/C

Construction details:

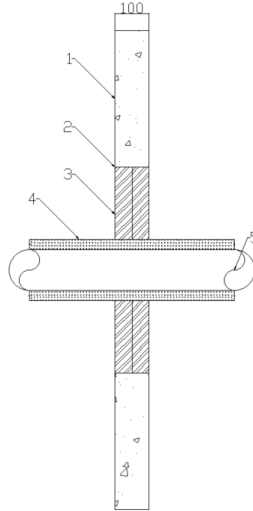
- Double layer of Astro Batt and Coating (50mm) Insulated Metallic Pipes
- Max. Aperture size 730mm wide x 1200mm high



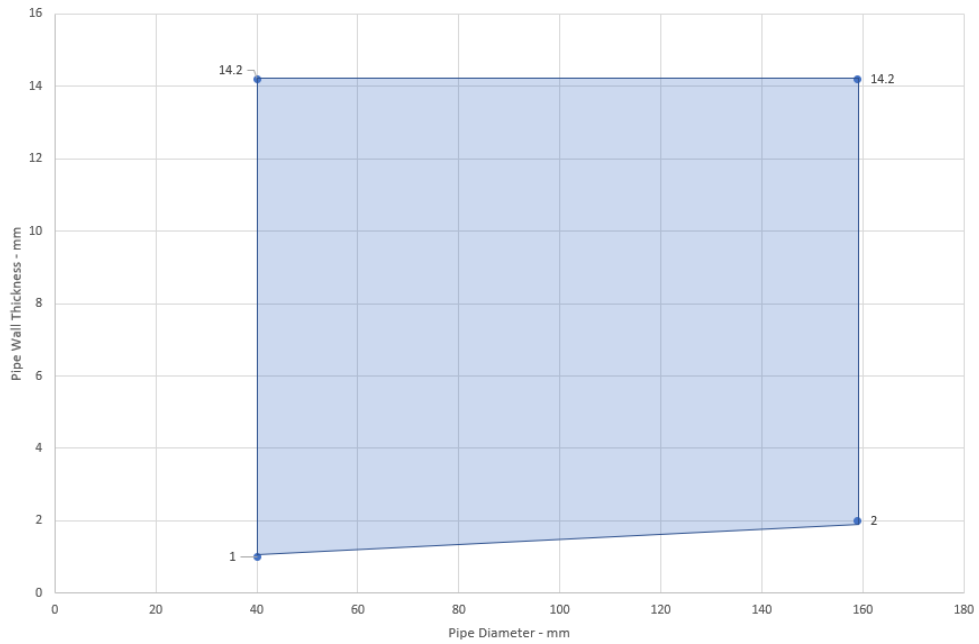
Service(s)	Classification
Steel or Copper Pipe 42-159mm Ø, 1.0mm – 14.2mm wall thickness (see graph above). 25mm thick foil faced glassfibre insulation min. 30kg/m ³ (C/S)	E 120 C/U EI 45 C/U
Steel or Copper Pipe 42mm Ø, 1mm – 14.2mm wall thickness. 25mm thick foil faced glassfibre insulation min. 30kg/m ³ (C/S)	E 120 C/U EI 60 C/U

Construction details:

- Double layer of Astro Batt and Coating (50mm) Insulated Metallic Pipes
- Max. Aperture size 2600mm wide x 2600mm high



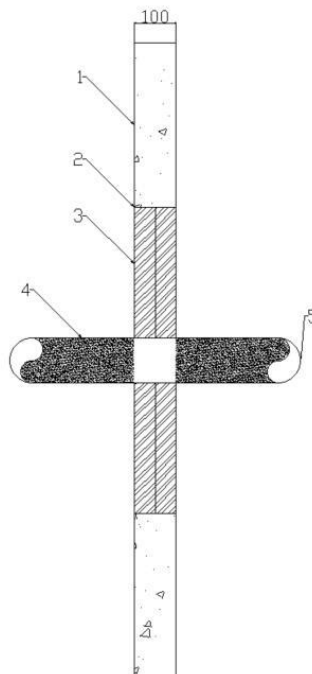
Permitted Pipe Diameter vs Pipe Wall Thickness



Service(s)	Classification
Steel or Copper Pipe 42-159mm Ø, 1.0mm – 14.2mm wall thickness (see graph above). 25mm thick foil faced glassfibre insulation min. 30kg/m3 (C/S)	E 60 C/U EI 45 C/U
Steel or Copper Pipe 42mm Ø, 1mm – 14.2mm wall thickness. 25mm thick foil faced glassfibre insulation min. 30kg/m3 (C/S)	E 60 C/U EI 60 C/U

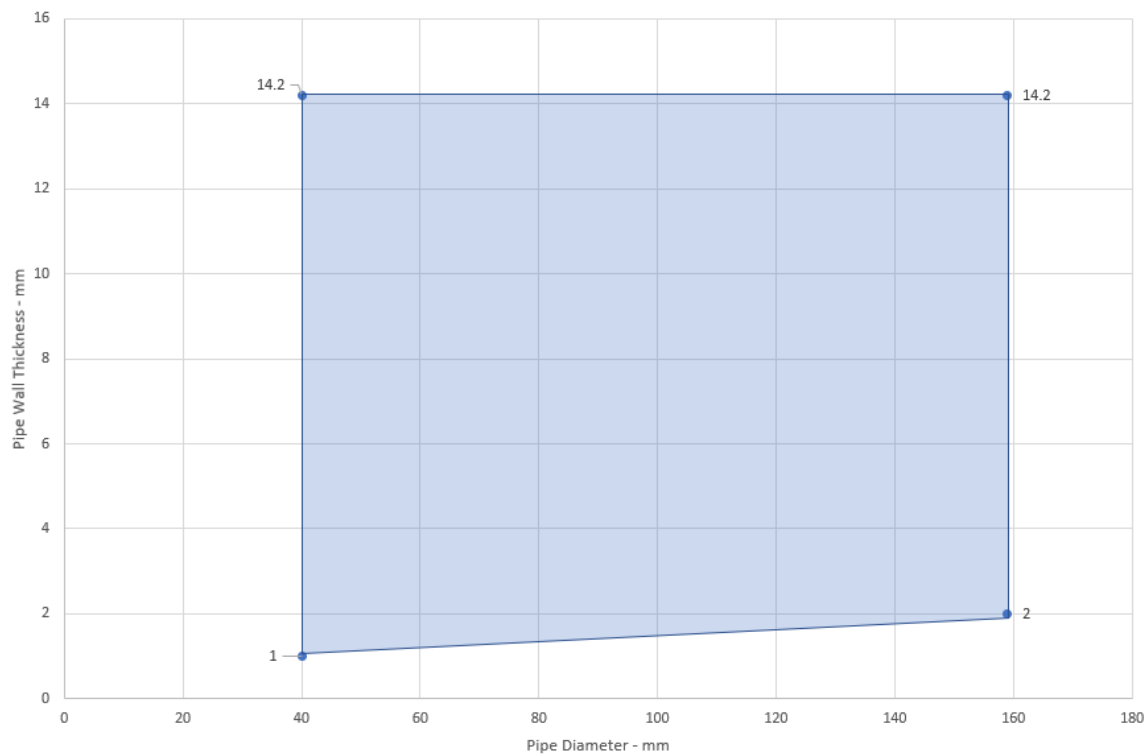
Construction details:

- Double layer of Astro Batt and Coating (50mm) Insulated Metallic Pipes
- Max. Aperture size 730mm wide x 1200mm high
- Penetrations positioned as per option 1 or 2 below, 0 mm distance between services and 50 mm to edge of seal.



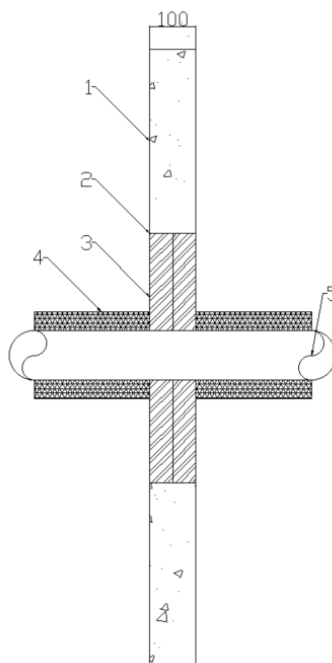
Service(s)	Classification
Steel or Copper Pipe 108mm Ø, 1.5mm – 14.2mm wall thickness, 50mm thick foil faced stone wool insulation min. 100kg/m ³ (L/I 500mm)	E 120 C/U EI 45 C/U
Steel or Copper Pipe 108mm Ø, 1.5mm – 14.2mm wall thickness, 50mm thick foil faced stone wool insulation min. 100kg/m ³ (C/I)	E 120 C/U EI 60 C/U
Steel or Copper Pipe 42-159mm Ø, 1.0mm – 14.2mm wall thickness (see graph below), 40mm thick foil faced stonewool insulation min. 40kg/m ³ (L/I 400mm)	EI 45 C/U
Steel 42-324mm Ø, 16mm wall thickness. 40mm thick foil faced stonewool insulation min. 40kg/m ³ (L/I 400mm)	EI 45 C/U
Steel or Copper Pipe 42mm Ø, 1.0mm – 14.2mm wall thickness , Astro PST coating along the penetration 2mm DFT (L/I 300mm)	E 120 C/U EI 45 C/U
Steel or Copper Pipe 42-159mm Ø, 1.0mm – 14.2mm wall thickness (see graph below), Astro PST coating along the penetration 2mm DFT (L/I 300mm)	E 120 C/U EI 20 C/U
Steel 42-324mm Ø, 16mm wall thickness. 14.2mm wall thickness Astro PST coating along the penetration 2mm DFT (L/I 300mm)	E 120 C/U EI 45 C/U

Permitted Pipe Diameter vs Pipe Wall Thickness

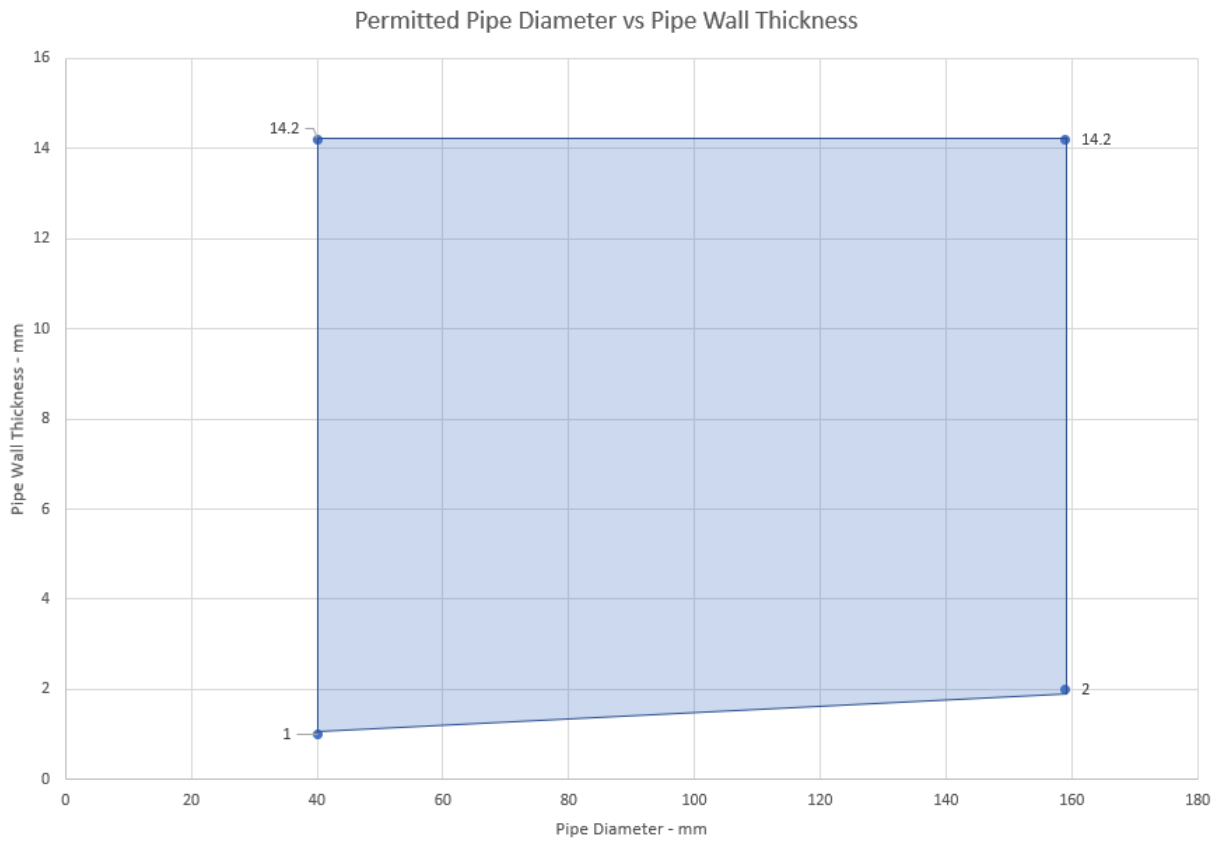


Construction details:

- Double layer of Astro Batt and Coating (50mm) Insulated Metallic Pipes
- Max. Aperture size 730mm wide x 1200mm high
- Penetrations positioned as per option 1 or 2 below, 0 mm distance between services and 50 mm to edge of seal.

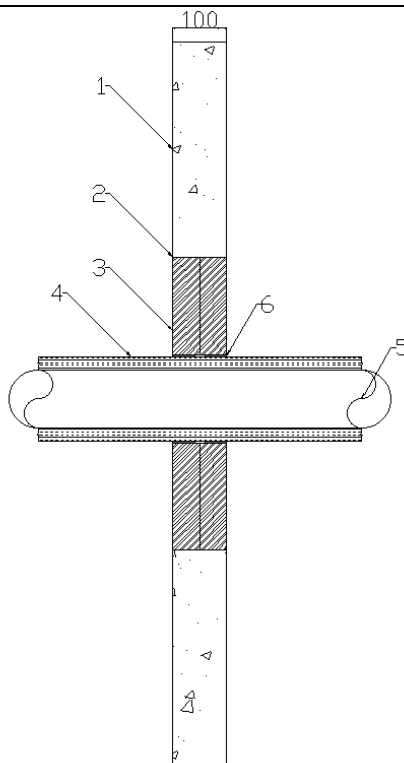


Service(s)	Classification
Steel or Copper Pipe 108mm Ø, 1.5mm – 14.2mm wall thickness, 50mm thick foil faced stone wool insulation min. 100kg/m ³ (L/I 500mm)	E 60 C/U EI 45 C/U
Steel or Copper Pipe 108mm Ø, 1.5mm – 14.2mm wall thickness, 50mm thick foil faced stone wool insulation min. 100kg/m ³ (C/I)	EI 60 C/U
Steel or Copper Pipe 42-159mm Ø, 1.0mm – 14.2mm wall thickness (see graph below), 40mm thick foil faced stonewool insulation min. 40kg/m ³ (L/I 400mm)	EI 45 C/U
Steel 42-324mm Ø, 16mm wall thickness. 40mm thick foil faced stonewool insulation min. 40kg/m ³ (L/I 400mm)	EI 45 C/U
Steel or Copper Pipe 42mm Ø, 1.0mm – 14.2mm wall thickness , Astro PST coating along the penetration 2mm DFT (L/I 300mm)	E 60 C/U EI 45 C/U
Steel or Copper Pipe 42-159mm Ø, 1.0mm – 14.2mm wall thickness (see graph below), Astro PST coating along the penetration 2mm DFT (L/I 300mm)	E 60 C/U EI 20 C/U
Steel 42-324mm Ø, 16mm wall thickness. 14.2mm wall thickness Astro PST coating along the penetration 2mm DFT (L/I 300mm)	E 160 C/U EI 45 C/U



Construction details:

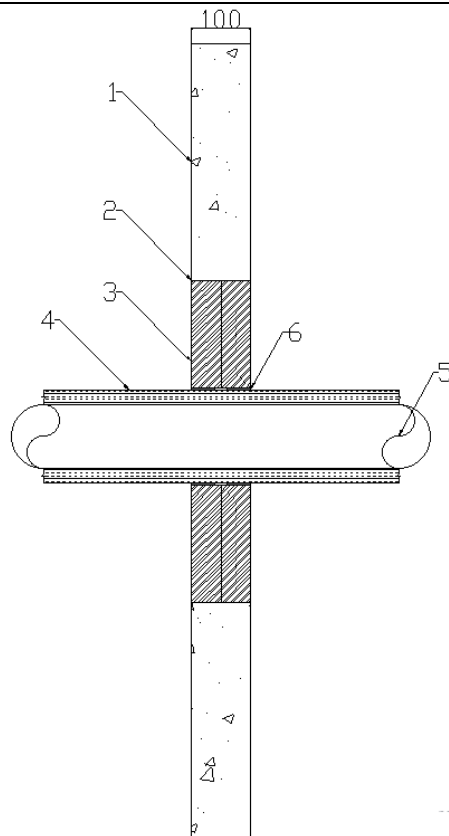
- Double layer of Astro Batt and Coating (50mm) Insulated Metallic Pipes
- Max. Aperture size 750mm wide x 1200mm high
- 2x2 mm thick layers of Astro X series CE pipe Wrap UL/ Astro X series CE pipe Wrap installed on both sides of the Astro Batt and Coating
- Equivalent elastomeric pipe insulation classified BL-s2,d0 or better to EN 13501-1
- Equivalent Phenolic foam pipe insulation classified BL-S1, d0 or better to EN 13501-1



Service(s)	Classification
Steel or Copper Pipe 42-159mm Ø, 1.2mm – 14.2mm wall thickness. 13-25mm thick K Flex ST Insulation (C/S)	E 120 C/U EI 60 C/U
Steel or Copper Pipe 42mm Ø, 1 – 14.2mm wall thickness. 25-13mm thick K Flex ST insulation (C/S)	E 120 C/U EI 90 C/U
Steel or Copper Pipe 42-108mm Ø, 1.2 – 14.2mm wall thickness. 25 -40mm thick Kingspan Kooltherm FM insulation (C/S)	E 120 C/U EI 60 C/U
Steel or Copper Pipe 42mm Ø, 1–14.2mm wall thickness. 25 -40mm thick Kingspan Kooltherm FM insulation3 (C/S)	E 120 C/U EI 90 C/U
Steel or Copper Pipe 42mm Ø, 1.0–14.2mm wall thickness. 50mm thick glassfibre insulation (C/S)	E 120 C/U EI 90 C/U
Steel or Copper Pipe 42-159mm Ø, 1.2mm – 14.2mm wall thickness. 13-25mm thick K Flex ST Insulation (C/S)	E 120 C/U EI 60 C/U

Construction details:

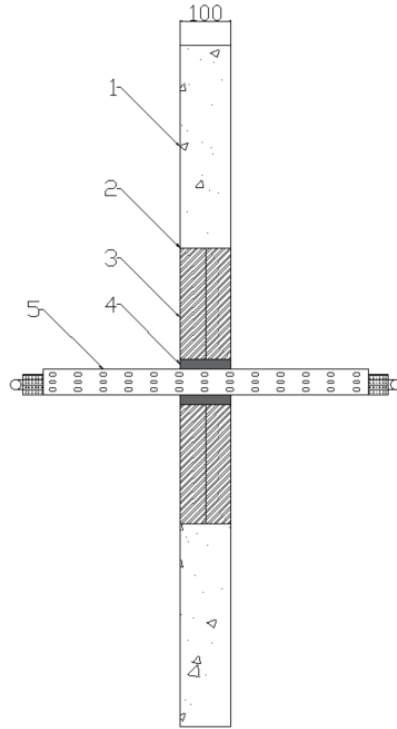
- Double layer of Astro Batt and Coating (50mm) Insulated Metallic Pipes
- Max. Aperture size 2600mm wide x 2600mm high
- 2x2 mm thick layers of Astro X series CE pipe Wrap UL/ Astro X series CE pipe Wrap installed on both sides of the Astro Batt and Coating
- Equivalent elastomeric pipe insulation classified BL-s2,d0 or better to EN 13501-1
- Equivalent Phenolic foam pipe insulation classified BL-S1, d0 or better to EN 13501-1



Service(s)	Classification
Steel or Copper Pipe 42-159mm Ø, 1.2mm – 14.2mm wall thickness. 13-25mm thick K Flex ST Insulation (C/S)	EI 60 C/U
Steel or Copper Pipe 42mm Ø, 1 – 14.2mm wall thickness. 25-13mm thick K Flex ST insulation (C/S)	EI 60 C/U
Steel or Copper Pipe 42-108mm Ø, 1.2 – 14.2mm wall thickness. 25 -40mm thick Kingspan Kooltherm FM insulation (C/S)	EI 60 C/U
Steel or Copper Pipe 42mm Ø, 1–14.2mm wall thickness. 25 -40mm thick Kingspan ooltherm FM insulation (C/S)	EI 60 C/U
Steel or Copper Pipe 42mm Ø, 1.02–14.2mm wall thickness. 50mm thick glassfibre insulation (C/S)	EI 60 C/U
Steel or Copper Pipe 42-159mm Ø, 1.2mm – 14.2mm wall thickness. 13-25mm thick K Flex ST Insulation (C/S)	EI 60 C/U

Construction details:

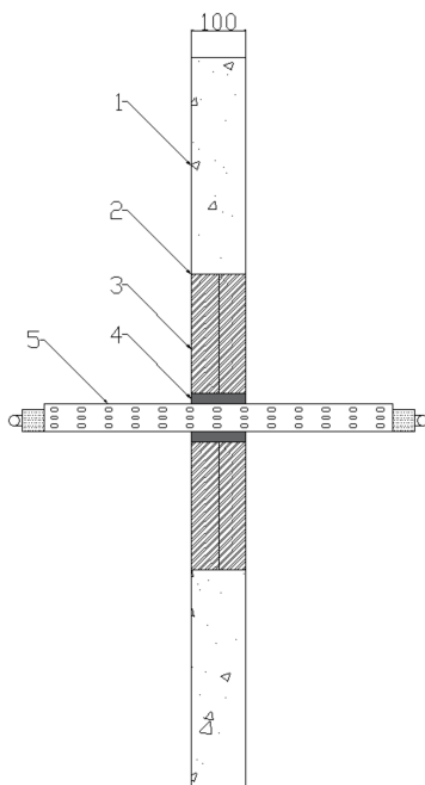
- Double layer of Astro Batt and Coating (50mm) Insulated Metallic Pipes
- Max. Aperture size 730mm wide x 1200mm high
- Astro HPE Sealant 20 mm annulus full 50mm depth of the Astro Batt and Coating
- Equivalent elastomeric pipe insulation classified BL-s2,d0 or better to EN 13501-1



Service(s)	Classification
6 off Steel or Copper Pipe 22mm Ø, 0.9mm – 14.2mm wall thickness. 19mm thick Armaflex (L/S 400mm)	EI 90 C/U
500mm steel cable tray	E 90 EI 15

Construction details:

- Double layer of Astro Batt and Coating (50mm) Insulated Metallic Pipes
- Max. Aperture size 2600mm wide x 2600mm high
- Astro HPE Sealant 20 mm annulus full 50mm depth of the Astro Batt and Coating
- Equivalent elastomeric pipe insulation classified BL-s2,d0 or better to EN 13501-1



Service(s)	Classification
6 off Steel or Copper Pipe 22mm Ø, 0.9mm – 14.2mm wall thickness. 19mm thick Armaflex (L/S 400mm)	EI 60 C/U
500mm steel cable tray	E 60 EI 15

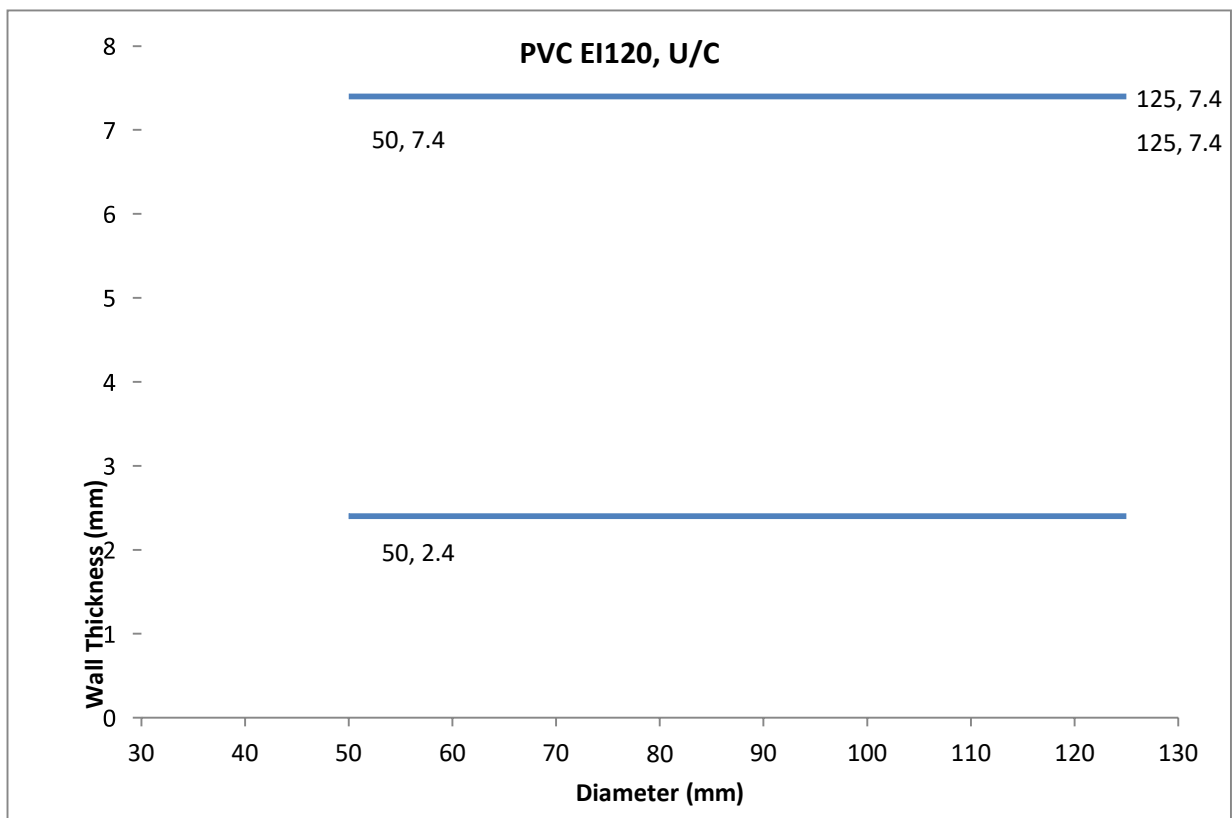
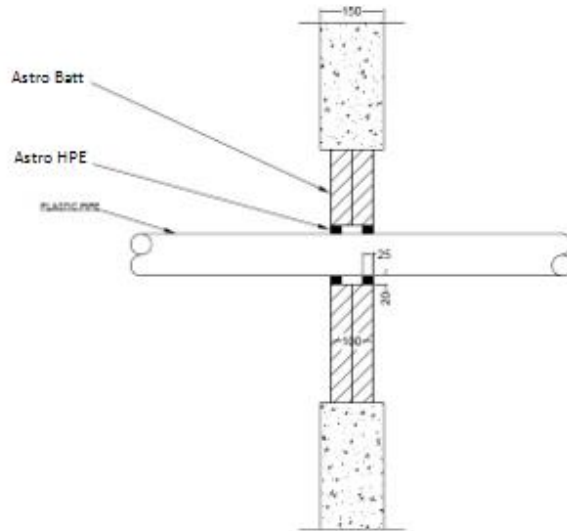
B38 Astro Batt and Coating Penetration Seal in Rigid Walls min. 150 mm thick

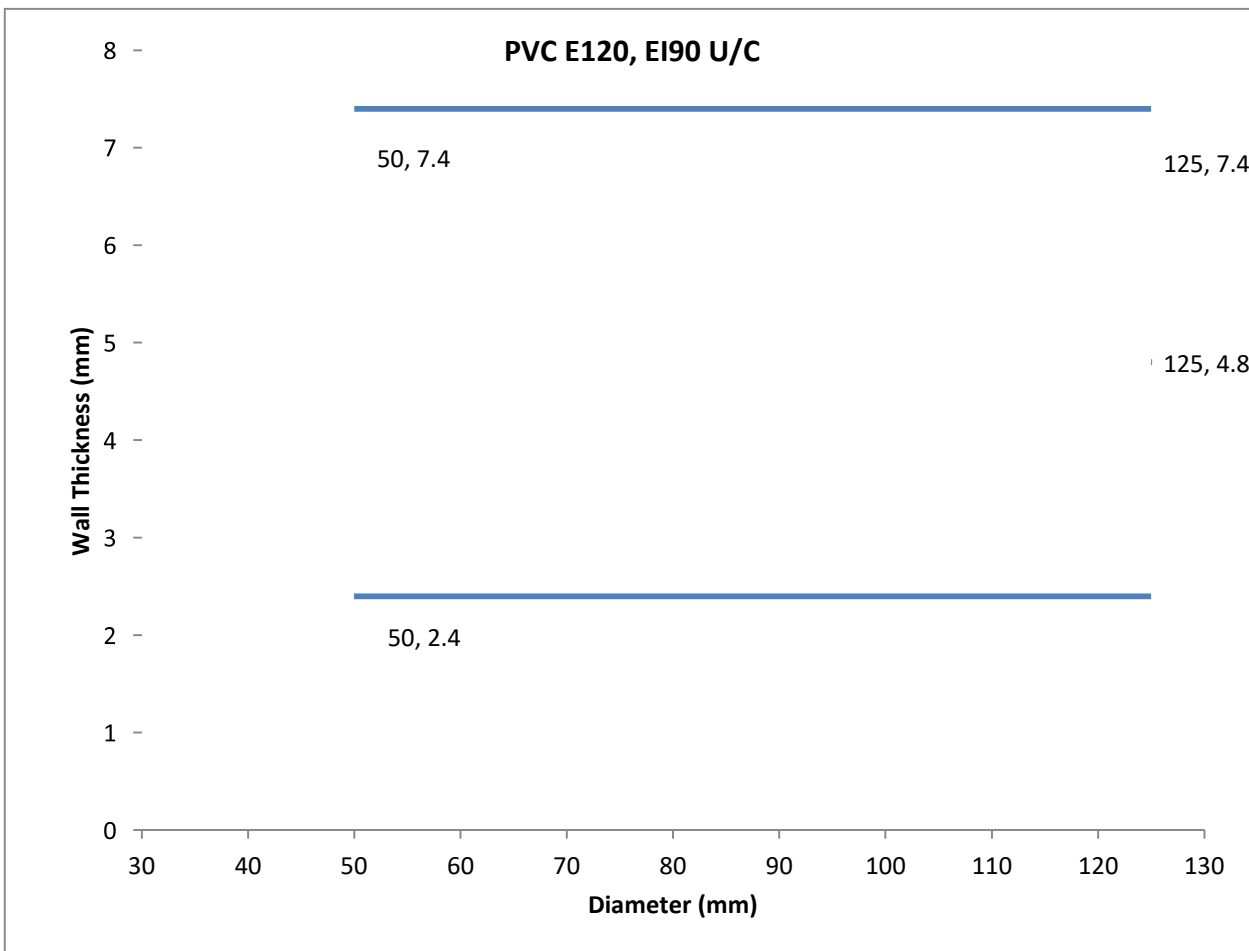
B38.1 Double Layer (50mm) Astro Batt and Coating Penetration Seal

B38.1.1 Plastic Pipe Penetrations

Construction details:

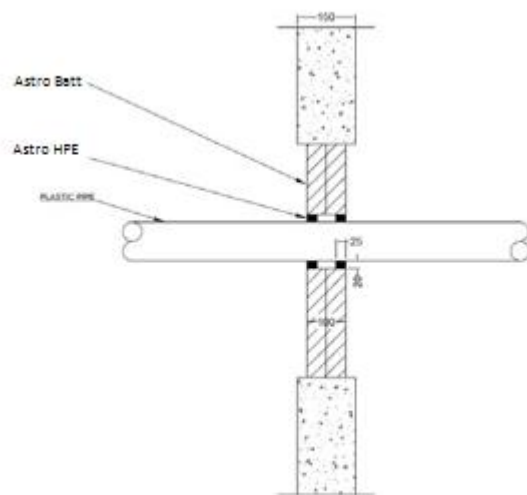
- Double layer of Astro Batt and Coating (50mm) installed internally within the wall.
- Max. Aperture size 750mm wide x 1100mm high
- Astro HPE Sealant 20mm annulus, 25mm deep both faces of the Astro Batt and Coating
- First service support 400mm from both faces of the substrate





Construction details:

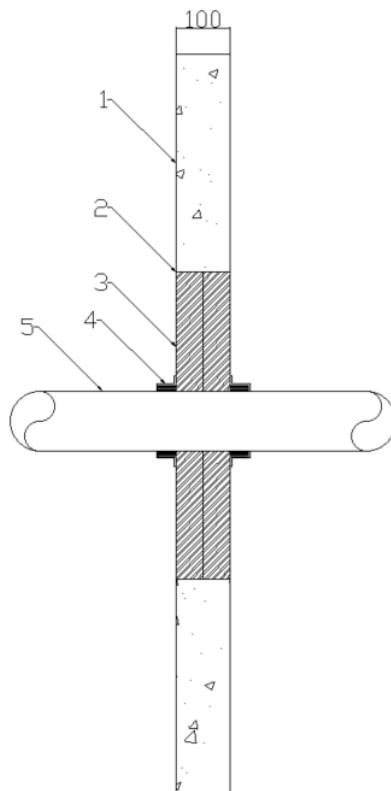
- Double layer of Astro Batt and Coating (50mm) installed internally within the wall.
- Max. Aperture size 750mm wide x 1100mm high
- Astro HPE Sealant 20mm annulus, 25mm deep both faces of the Astro Batt and Coating
- First service support 400mm from both faces of the substrate



Penetration Specification	Classification
Uponor MLC (Multi-Layer Composite) Pipe 40mm \varnothing 4mm wall thickness	EI 120 U/C
Uponor MLC (Multi-Layer Composite) Pipe 50mm \varnothing 4.5mm wall thickness	
Uponor MLC (Multi-Layer Composite) Pipe 63mm \varnothing 6mm wall thickness	
Uponor MLC (Multi-Layer Composite) Pipe 75mm \varnothing 7.5mm wall thickness	
Uponor MLC (Multi-Layer Composite) Pipe 90mm \varnothing 8.5mm wall thickness	
Uponor MLC (Multi-Layer Composite) Pipe 110mm \varnothing 10mm wall thickness	

Construction details:

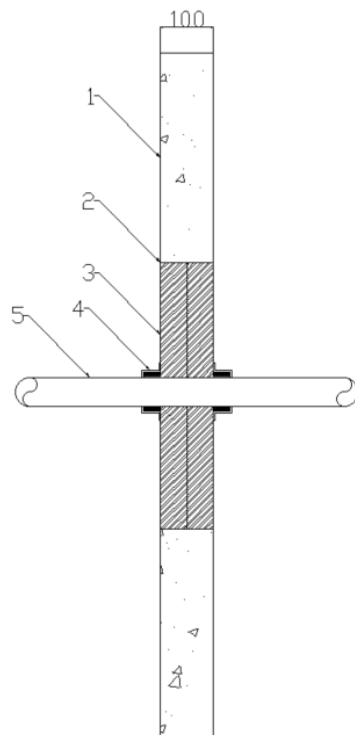
- Double layer of Astro Batt and Coating (50mm) installed internally within the wall.
- Max. Aperture size 730mm wide x 1200mm high
- Penetration positioned as per option 1 or 2 below, 0mm distance between services and 50mm to edge of seal.
- Collars secured both faces of the substrate utilizing 80mm long steel pig tail screw through to Astro Batt and Coating



Service(s)	Astro X series CE pipe Collar Ref	Classification
PVC Pipe 32mm Ø, 1.8mm wall thickness	32mm	EI 120 U/C
PVC Pipe 40mm Ø, 1.8mm wall thickness	40mm	
PVC Pipe 50mm Ø, 1.8mm wall thickness	50mm	
PVC Pipe 55mm Ø, 1.8-2.3mm wall thickness	55mm	
PVC Pipe 63mm Ø, 2.3-3mm wall thickness	63mm	
PVC Pipe 75mm Ø, 3.1-4.8mm wall thickness	75mm	
PVC Pipe 82mm Ø, 3.1-4.8mm wall thickness	82mm	
PVC Pipe 90mm Ø, 4.2-7.4mm wall thickness	90mm	
PVC Pipe 100mm Ø, 4.2-7.2mm wall thickness	100mm	
PVC Pipe 110mm Ø, 4.2-7.4mm wall thickness	110mm	
PVC Pipe 125mm Ø, 6mm wall thickness	125mm	
PVC Pipe 140mm Ø, 6.1-7.5mm wall thickness	140mm	

Construction details:

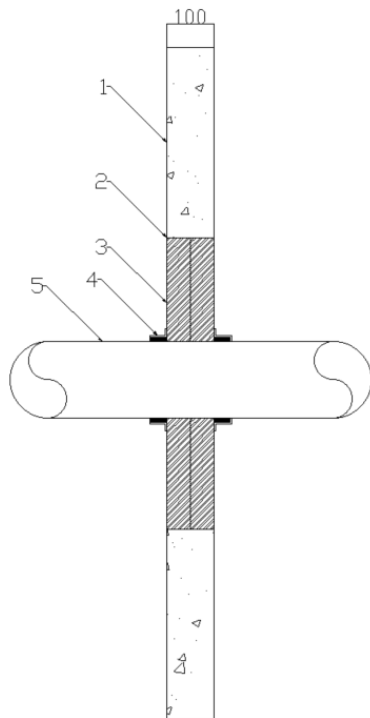
- Double layer of Astro Batt and Coating (50mm) installed internally within the wall.
- Max. Aperture size 2600mm wide x 2600mm high
- Penetration positioned as per option 1 or 2 below, 0mm distance between services and 50mm to edge of seal.
- Collars secured both faces of the substrate utilizing 80mm long steel pig tail screw through to Astro Batt and Coating



Service(s)	Astro X series CE pipe Collar Ref	Classification
PVC Pipe 32mm Ø, 1.8mm wall thickness	32mm	EI 60 U/C
PVC Pipe 40mm Ø, 1.8mm wall thickness	40mm	
PVC Pipe 50mm Ø, 1.8mm wall thickness	50mm	
PVC Pipe 55mm Ø, 1.8-2.3mm wall thickness	55mm	
PVC Pipe 63mm Ø, 2.3-3mm wall thickness	63mm	
PVC Pipe 75mm Ø, 3.1-4.8mm wall thickness	75mm	
PVC Pipe 82mm Ø, 3.1-4.8mm wall thickness	82mm	
PVC Pipe 90mm Ø, 4.2-7.4mm wall thickness	90mm	
PVC Pipe 100mm Ø, 4.2-7.2mm wall thickness	100mm	
PVC Pipe 110mm Ø, 4.2-7.4mm wall thickness	110mm	
PVC Pipe 125mm Ø, 6mm wall thickness	125mm	
PVC Pipe 140mm Ø, 6.1-7.5mm wall thickness	140mm	
PVC Pipe 160mm Ø, 6.2-9.5mm wall thickness	160 mm	

Construction details:

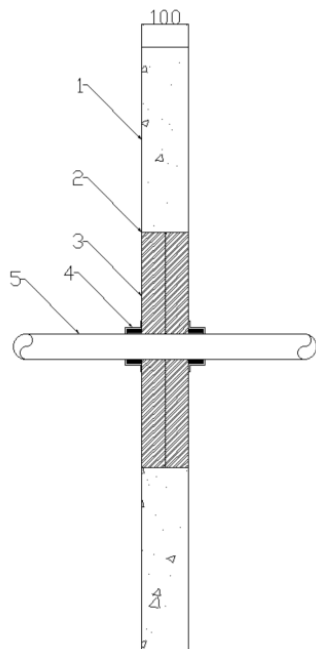
- Double layer of Astro Batt and Coating (50mm) installed internally within the wall.
- Max. Aperture size 730mm wide x 1200mm high
- Penetration positioned as per option 1 or 2 below, 0mm distance between services and 50mm to edge of seal.
- Collars secured both faces of the substrate utilizing 80mm long steel pig tail screw through to Astro Batt and Coating



Service(s)	Astro X series CE pipe Collar Ref	Classification
PVC Pipe 32mm Ø, 2.9mm wall thickness	32mm	EI 120 U/C
PVC Pipe 40mm Ø, 2.9mm wall thickness	40mm	
PVC Pipe 50mm Ø, 2.9mm wall thickness	50mm	
PVC Pipe 55mm Ø, 2.9-4.4mm wall thickness	55mm	
PVC Pipe 63mm Ø, 2.9-4.4mm wall thickness	63mm	
PVC Pipe 75mm Ø, 2.8-6.7mm wall thickness	75mm	
PVC Pipe 82mm Ø, 2.8-6.7mm wall thickness	82mm	
PVC Pipe 90mm Ø, 2.7-10mm wall thickness	90mm	
PVC Pipe 100mm Ø, 2.7-10mm wall thickness	100mm	
PVC Pipe 110mm Ø, 2.7-10mm wall thickness	110mm	
PVC Pipe 125mm Ø, 3.1mm wall thickness	125mm	
PVC Pipe 140mm Ø, 3.5-8mm wall thickness	140mm	
PVC Pipe 160mm Ø, 4-14.6mm wall thickness	160 mm	

Construction details:

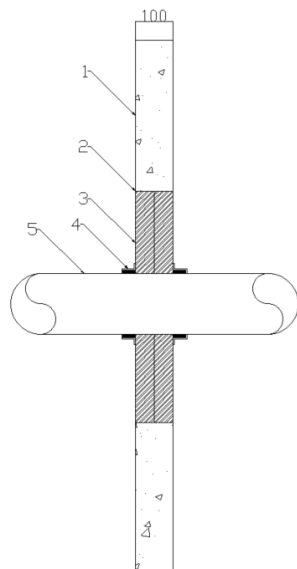
- Double layer of Astro Batt and Coating (50mm) installed internally within the wall.
- Max. Aperture size 2600mm wide x 2600mm high
- Penetration positioned as per option 1 or 2 below, 0mm distance between services and 50mm to edge of seal.
- Collars secured both faces of the substrate utilizing 80mm long steel pig tail screw through to Astro Batt and Coating



Service(s)	Astro X series CE pipe Collar Ref	Classification
PVC Pipe 32mm Ø, 2.9mm wall thickness	32mm	EI 60U/C
PVC Pipe 40mm Ø, 2.9mm wall thickness	40mm	
PVC Pipe 50mm Ø, 2.9mm wall thickness	50mm	
PVC Pipe 55mm Ø, 2.9-4.4mm wall thickness	55mm	
PVC Pipe 63mm Ø, 2.9-4.4mm wall thickness	63mm	
PVC Pipe 75mm Ø, 2.8-6.7mm wall thickness	75mm	
PVC Pipe 82mm Ø, 2.8-6.7mm wall thickness	82mm	
PVC Pipe 90mm Ø, 2.7-10mm wall thickness	90mm	
PVC Pipe 100mm Ø, 2.7-10mm wall thickness	100mm	
PVC Pipe 110mm Ø, 2.7-10mm wall thickness	110mm	
PVC Pipe 125mm Ø, 3.1mm wall thickness	125mm	
PVC Pipe 140mm Ø, 3.5-8mm wall thickness	140mm	
PVC Pipe 160mm Ø, 4-14.6mm wall thickness	160 mm	

Construction details:

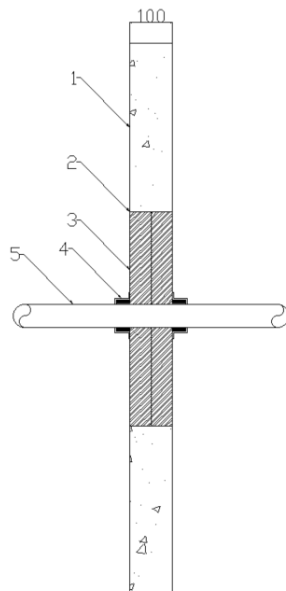
- Double layer of Astro Batt and Coating (50mm) installed internally within the wall.
- Max. Aperture size 730mm wide x 1200mm high
- Penetration positioned as per option 1 or 2 below, 0mm distance between services and 50mm to edge of seal.
- Collars secured both faces of the substrate utilizing 80mm long steel pig tail screw through to Astro Batt and Coating



Service(s)	Astro X series CE pipe Collar Ref	Classification
PVC Pipe 32mm Ø, 2.9mm wall thickness	32mm	EI 120U/C
PVC Pipe 40mm Ø, 2.9mm wall thickness	40mm	
PVC Pipe 50mm Ø, 2.9mm wall thickness	50mm	
PVC Pipe 55mm Ø, 2.9-4.4mm wall thickness	55mm	
PVC Pipe 63mm Ø, 2.9-4.4mm wall thickness	63mm	
PVC Pipe 75mm Ø, 2.8-6.7mm wall thickness	75mm	
PVC Pipe 82mm Ø, 2.8-6.7mm wall thickness	82mm	
PVC Pipe 90mm Ø, 2.7-10mm wall thickness	90mm	
PVC Pipe 100mm Ø, 2.7-10mm wall thickness	100mm	
PVC Pipe 110mm Ø, 2.7-10mm wall thickness	110mm	
PVC Pipe 125mm Ø, 3.1mm wall thickness	125mm	
PVC Pipe 140mm Ø, 3.5-8mm wall thickness	140mm	
PVC Pipe 160mm Ø, 4-9.5mm wall thickness	160 mm	

Construction details:

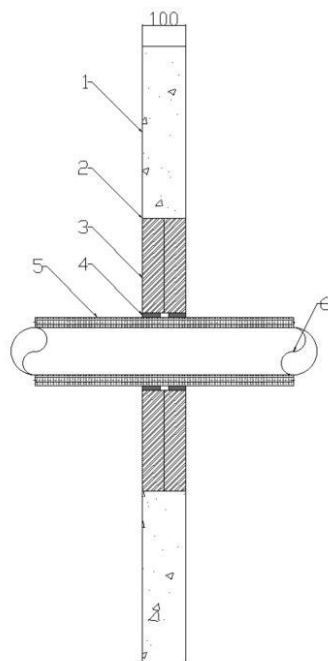
- Double layer of Astro Batt and Coating (50mm) installed internally within the wall.
- Max. Aperture size 2600mm wide x 2600mm high
- Penetration positioned as per option 1 or 2 below, 0mm distance between services and 50mm to edge of seal.
- Collars secured both faces of the substrate utilizing 80mm long steel pig tail screw through to Astro Batt and Coating



Service(s)	Astro X series CE pipe Collar Ref	Classification
PVC Pipe 32mm Ø, 2.9mm wall thickness	32mm	EI 60U/C
PVC Pipe 40mm Ø, 2.9mm wall thickness	40mm	
PVC Pipe 50mm Ø, 2.9mm wall thickness	50mm	
PVC Pipe 55mm Ø, 2.9-4.4mm wall thickness	55mm	
PVC Pipe 63mm Ø, 2.9-4.4mm wall thickness	63mm	
PVC Pipe 75mm Ø, 2.8-6.7mm wall thickness	75mm	
PVC Pipe 82mm Ø, 2.8-6.7mm wall thickness	82mm	
PVC Pipe 90mm Ø, 2.7-10mm wall thickness	90mm	
PVC Pipe 100mm Ø, 2.7-10mm wall thickness	100mm	
PVC Pipe 110mm Ø, 2.7-10mm wall thickness	110mm	
PVC Pipe 125mm Ø, 3.1mm wall thickness	125mm	
PVC Pipe 140mm Ø, 3.9-5.8mm wall thickness	140mm	
PVC Pipe 160mm Ø, 4.9-9.5mm wall thickness	160 mm	

Construction details:

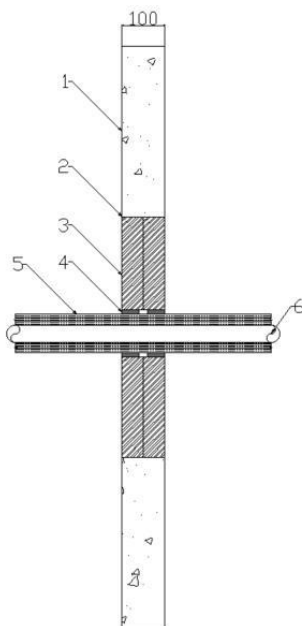
- Double layer of Astro Batt and Coating (50mm) installed internally within the wall.
- Max. Aperture size 730mm wide x 1200mm high
- Penetration positioned as per option 1 or 2 below, 0mm distance between services and 50mm to edge of seal.
- Astro X series CE pipe Wrap UL / Astro X series CE pipe Wrap secured internally within both faces of the Astro Batt and Coating
- equivalent elastomeric pipe insulation classified BL – s2, d0 or better to EN 13501-1
- equivalent Phenolic foam pipe insulation classified BL – s1, d0 or better to EN 13501-1



Service(s)	Astro X series CE pipe Wrap UL/ Astro X series CE pipe Wrap Ref	Classification
PVC Pipe 40mm Ø, 1.9mm wall thickness. 25 mm thick Kingspan Kooltherm FM3 insulation (C/S)	3x2mm thickness	E 120 U/C EI 90 U/C
PVC Pipe 40mm Ø, 3mm wall thickness. 15 mm thick Kingspan Kooltherm FM3 insulation (C/S)	3x2mm thickness	
PVC Pipe 110mm Ø, 4.2mm wall thickness. 25 mm thick Kingspan Kooltherm FM3 insulation (C/S)	5x2mm thickness	EI 120 U/C
PVC Pipe 110mm Ø, 6.6mm wall thickness. 20 mm thick Kingspan Kooltherm FM3 insulation (C/S)	5x2mm thickness	E 120 U/C EI 90 U/C
PVC Pipe 40mm Ø, 1.9mm wall thickness. 32 mm thick Armacell Armaflex Class O2 (C/S)	5x2mm thickness	E 120 U/C EI 90 U/C
PVC Pipe 40mm Ø, 3mm wall thickness. 9 mm thick Armacell Armaflex Class O2 (C/S)	5x2mm thickness	
PVC Pipe 110mm Ø, 4.2mm wall thickness. 32 mm thick Armacell Armaflex Class O2 (C/S)	5x2mm thickness	EI 120 U/C
PVC Pipe 110mm Ø, 6.6mm wall thickness. 13 mm thick Armacell Armaflex Class O2 (C/S)	5x2mm thickness	E 120 U/C EI 90 U/C

Construction details:

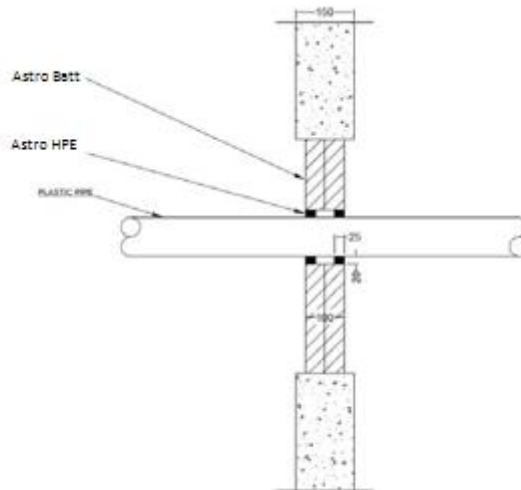
- Double layer of Astro Batt and Coating (50mm) installed internally within the wall.
- Max. Aperture size 2600mm wide x 2600mm high
- Penetration positioned as per option 1 or 2 below, 0mm distance between services and 50mm to edge of seal.
- Astro X series CE pipe Wrap UL / Astro X series CE pipe Wrap secured internally within both faces of the Astro Batt and Coating
- equivalent elastomeric pipe insulation classified BL – s2, d0 or better to EN 13501-1
- equivalent Phenolic foam pipe insulation classified BL – s1, d0 or better to EN 13501-1



Service(s)	Astro X series CE pipe Wrap UL/ Astro X series CE pipe Wrap Ref	Classification
PVC Pipe 40mm Ø, 1.9mm wall thickness. 25 mm thick Kingspan Kooltherm FM3 insulation (C/S)	3x2mm thickness	EI 60 U/C
PVC Pipe 40mm Ø, 3mm wall thickness. 15 mm thick Kingspan Kooltherm FM3 insulation (C/S)	3x2mm thickness	
PVC Pipe 110mm Ø, 4.2mm wall thickness. 25 mm thick Kingspan Kooltherm FM3 insulation (C/S)	5x2mm thickness	
PVC Pipe 110mm Ø, 6.6mm wall thickness. 20 mm thick Kingspan Kooltherm FM3 insulation (C/S)	5x2mm thickness	
PVC Pipe 40mm Ø, 1.9mm wall thickness. 32 mm thick Armacell Armaflex Class O2 (C/S)	3x2mm thickness	
PVC Pipe 40mm Ø, 3mm wall thickness. 9 mm thick Armacell Armaflex Class O2 (C/S)	3x2mm thickness	
PVC Pipe 110mm Ø, 4.2mm wall thickness. 32 mm thick Armacell Armaflex Class O2 (C/S)	5x2mm thickness	
PVC Pipe 110mm Ø, 6.6mm wall thickness. 13 mm thick Armacell Armaflex Class O2 (C/S)	5x2mm thickness	

B39 Astro Batt and Coating Penetration Seal in Rigid Floors min. 150 mm thick**B39.1 Double Layer (50mm) Astro Batt and Coating Penetration Seal****B39.1.1 Cable Penetrations****Construction details:**

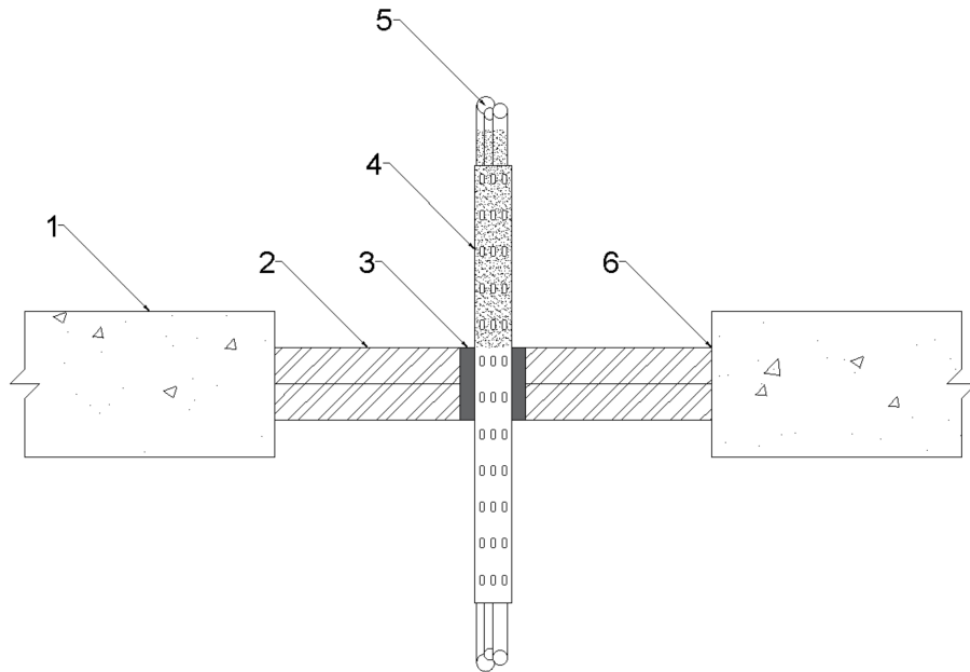
- Double layer of Astro Batt and Coating (50mm) installed internally within the floor.
- Max. Aperture size 700mm wide x 1100mm high
- All cables coated with 2mm DFT PST Coating 300mm along the cables upper side of the seal.
- Astro HPE Sealant 20mm annulus 25mm depth both sides of the floor
- First service support 400mm from both faces of the substrate



Penetration Specification	Classification
500mm perforated cable tray	EI 60
Electrical cables up to 21mm \varnothing	
1 off 'C1' Cable	
1 off 'C2' Cable	
1 off 'C3' Cable	

Construction details:

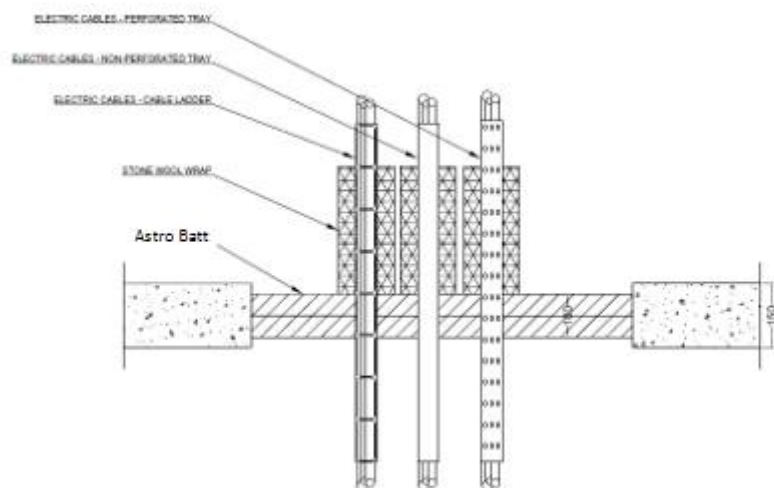
- Double layer of Astro Batt and Coating (50mm) installed internally within the floor.
- Max. Aperture size 1100mm wide x 1500mm high
- All cables coated with 2mm DFT PST Coating 300mm along the cables upper side of the seal.
- Astro HPE Sealant 20mm annulus full 50 mm depth both sides of the floor
- First service support 400mm from both faces of the substrate



Penetration Specification	Classification
500mm perforated cable tray	EI 60
Electrical cables up to 21mm \varnothing	
1 off 'C1' Cable	
1 off 'C2' Cable	
1 off 'C3' Cable	

Construction details:

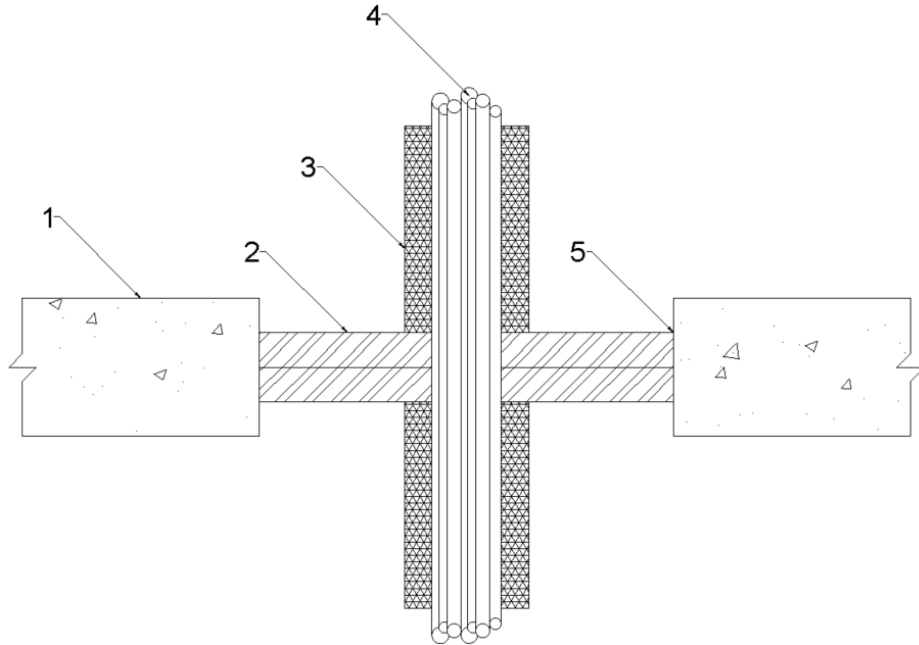
- Double layer of Astro Batt and Coating (50mm) installed internally within the floor.
- Max. Aperture size 700mm wide x 1100mm high
- Cables and cable trays wrapped with a single layer of 40mm thick stone wool, min 40kg/m³ (L/I 300mm)
- First service support 400mm from both faces of the substrate



Service(s)	Classification
Electrical cables up to 80mm dia	EI 60
Cable Trays and Ladders	
100 mm diameter bundle telecommunication cable type "F"	
Unsheathed electrical cables up to 17mm dia	
Unsheathed electrical cables 18-24mm dia	
Steel or Copper Conduits up to 16mm	
Plastic conduits up to 16mm	

Construction details:

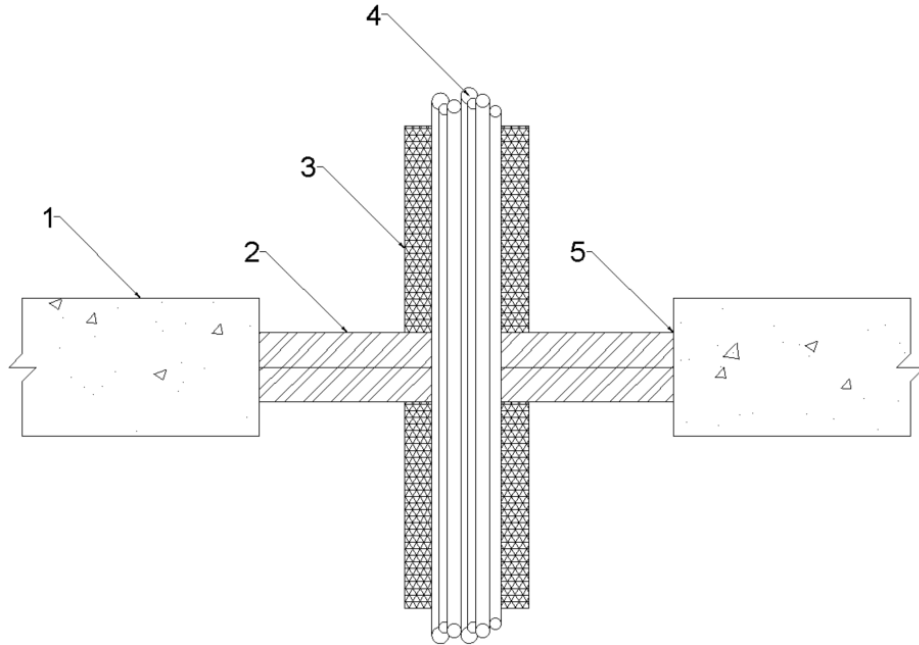
- Double layer of Astro Batt and Coating (50mm) installed internally within the floor.
- Max. Aperture size 1100mm wide x 1500mm high
- Cables and cable trays wrapped with a single layer of 40mm thick stone wool, min 40kg/m³ (L/I 300mm)
- First service support 400mm from both faces of the substrate



Service(s)	Classification
Electrical cables up to 80mm dia	EI 60
Cable Trays and Ladders	
100 mm diameter bundle telecommunication cable type "F"	
Unsheathed electrical cables up to 17mm dia	
Unsheathed electrical cables 18-24mm dia	
Steel or Copper Conduits up to 16mm	
Plastic conduits up to 16mm	

Construction details:

- Double layer of Astro Batt and Coating (50mm) installed internally within the floor.
- Max. Aperture size 700mm wide x 1100mm high
- First service support 400mm from both faces of the substrate

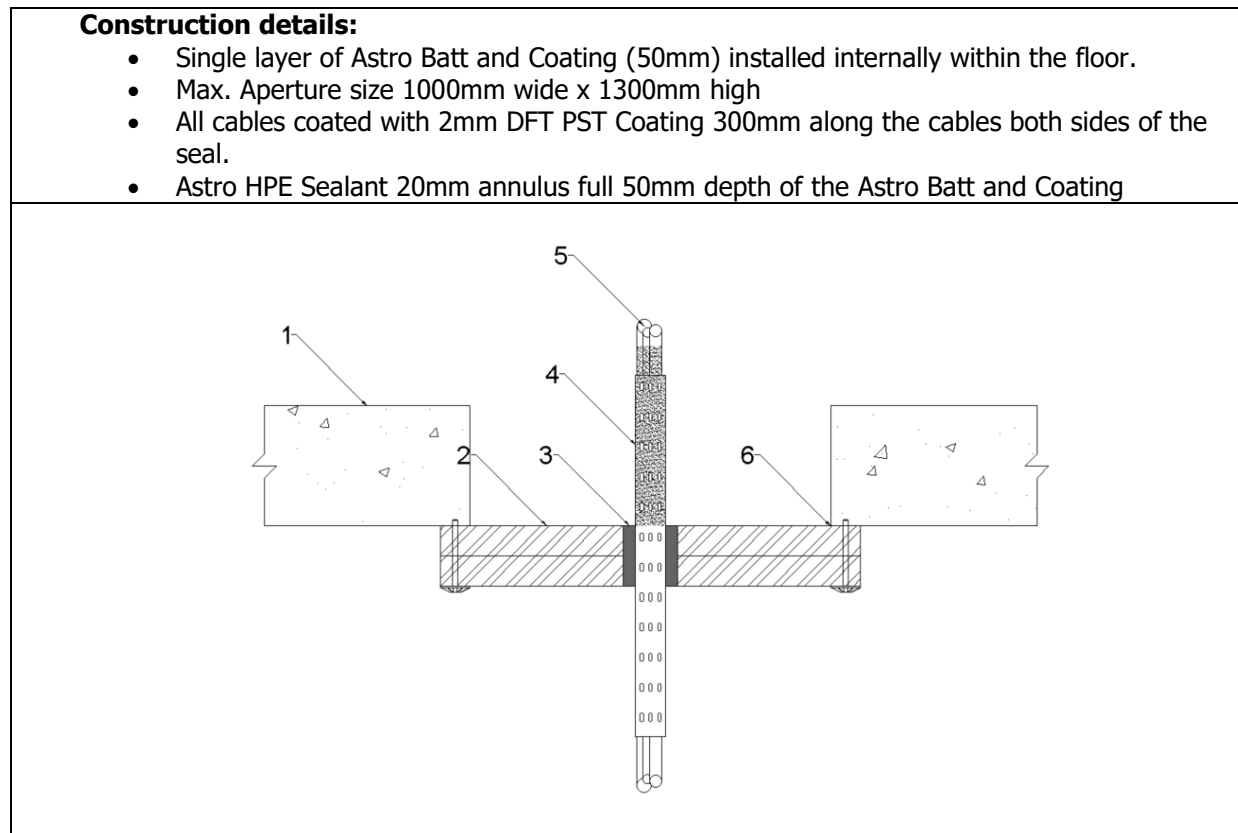


Service(s)	Classification
Steel or Copper Pipe 42mm Ø, 1.2mm – 14.2mm wall thickness. (L/I 300mm) 40mm stone wool insulation (min 40Kg/m ³)	EI 120 C/U
Steel or Copper Pipe 42mm – 159mm Ø, 2mm – 14.2mm wall thickness. (L/I 300mm) 40mm stone wool insulation (min 40Kg/m ³)	EI 120 C/U EI 30 C/U

B40 Astro Batt and Coating Penetration Seal in Rigid Floors min. 150 mm thick

B40.1 Double Layer (50mm) Astro Batt and Coating Penetration Seal

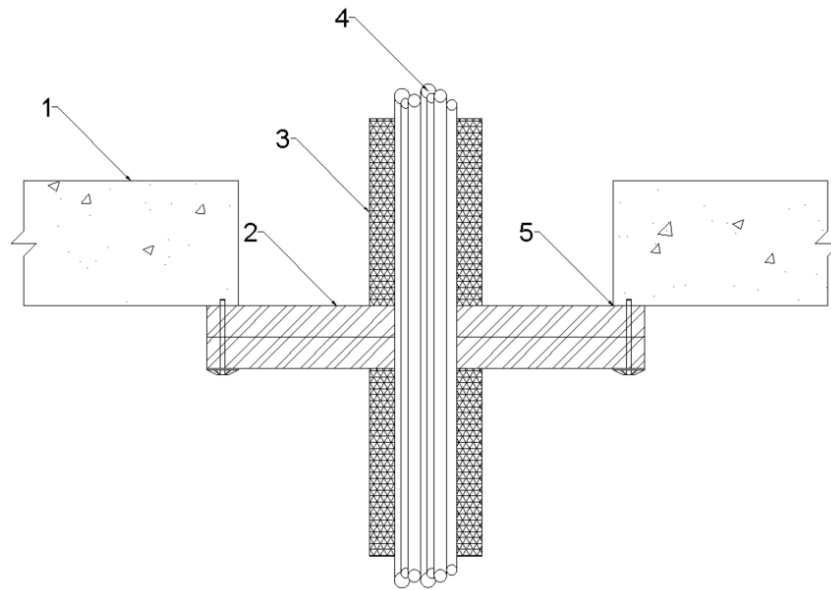
B40.1.1 Pattress Installed Electrical Cables



Service(s)	Classification
500 mm perforated cable tray	EI 60
Electrical cables up to 21mm dia	
1 off "C1" Cable	
1 off "C2" Cable	
1 off "C3" Cable	

Construction details:

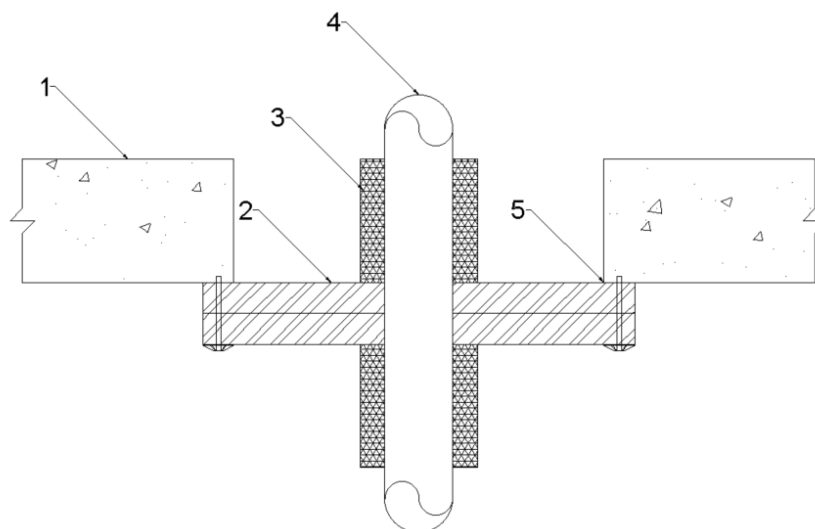
- Double layer of Astro Batt and Coating (50mm) installed internally within the floor.
- Max. Aperture size 1000mm wide x 1300mm high
- Cables and cable trays wrapped with a single layer of 40mm thick stone wool, min 40kg/m³ (L/I 300mm)



Service(s)	Classification
Electrical cables up to 80mm dia	EI 60
Cable Trays and Ladders	
100 mm diameter bundle telecommunication cable type "F"	
Unsheathed electrical cables up to 17mm dia	
Unsheathed electrical cables 18-24mm dia	
Steel or Copper Conduits up to 16mm	
Plastic conduits up to 16mm	

B41 Astro Batt and Coating Penetration Seal in Rigid Floors min. 150 mm thick**B41.1 Double Layer (50mm) Astro Batt and Coating Penetration Seal****B41.1.1 Pattress Installed Metallic Pipes****Construction details:**

- Double layer of Astro Batt and Coating (50mm) installed internally within the floor.
- Max. Aperture size 1000mm wide x 1300mm high
- Steel or Copper Pipe 42mm Ø, 1.2mm – 14.2mm wall thickness wrapped with a single layer of 40mm thick stone wool, min 40kg/m³ (L/I 300mm)

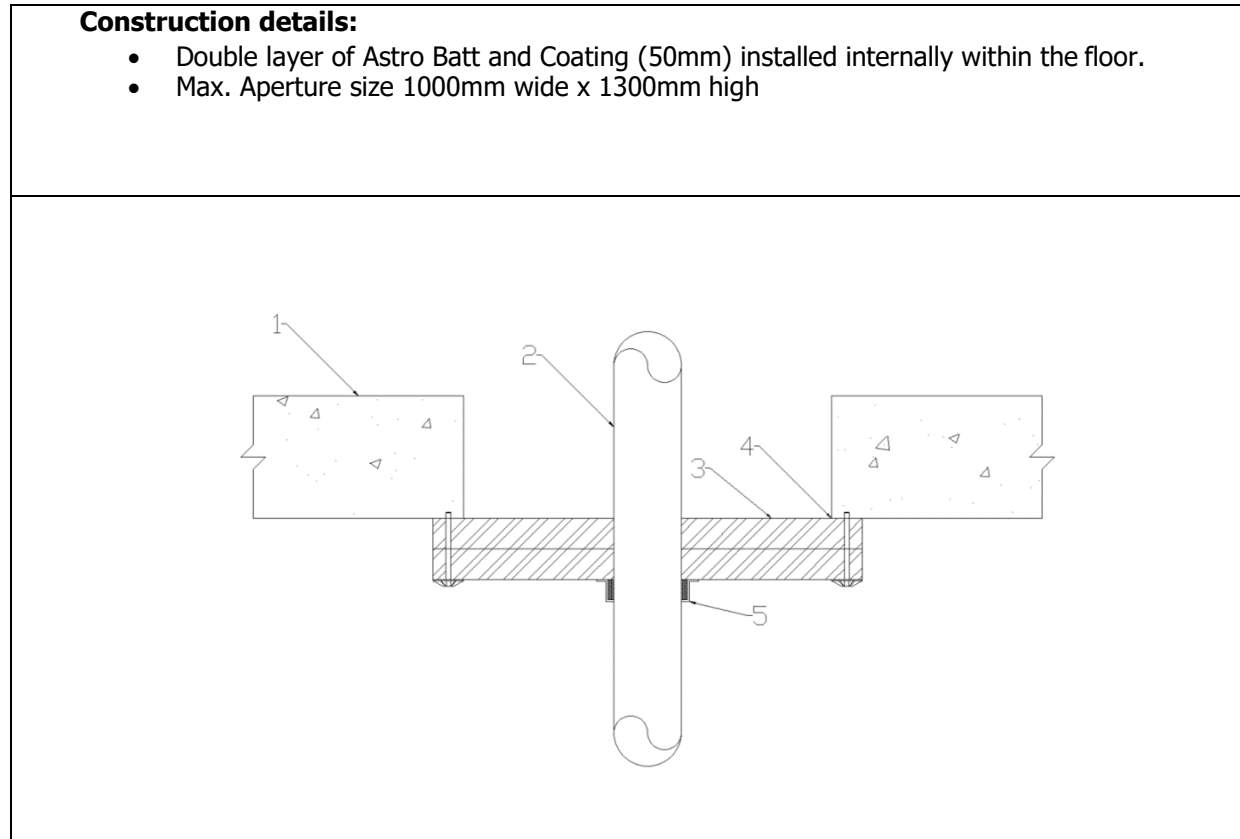


Service(s)	Classification
Steel or Copper Pipe 42mm Ø, 1.2mm – 14.2mm wall thickness. (L/I 300mm) 40mm stone wool insulation (min 40Kg/m ³)	EI 60 C/U
Steel or Copper Pipe 42mm – 159mm Ø, 2mm – 14.2mm wall thickness. (L/I 300mm) 40mm stone wool insulation (min 40Kg/m ³)	E60 C/U EI 30 C/U

B42 Astro Batt and Coating Penetration Seal in Rigid Floors min. 150 mm thick

B42.1 Double Layer (50mm) Astro Batt and Coating Penetration Seal

B42.1.1 Pattress Installed Plastic Pipes



Penetration Specification	Astro X series CE pipe Collar	Classification
Pipe diameters as below Zero distance	Fixed to the underside of the Astro Batt and Coating utilizing steel pig tail fixings	EI 60 U/C

Penetration Specification	Collar Reference	Intumescent Material
PVC Pipe 32mm Ø 1.8mm wall thickness	32mm Astro X series Collar	30mm (W) x 4mm (T)
PVC Pipe 40mm Ø 1.8mm wall thickness	40mm Astro X series Collar	
PVC Pipe 50mm Ø 1.8mm wall thickness	50mm Astro X series Collar	
PVC Pipe 55mm Ø 2.3-2.8mm wall thickness	55mm Astro X series Collar	30mm (W) x 6mm (T)
PVC Pipe 63mm Ø 2.3-2.8mm wall thickness	63mm Astro X series Collar	
PVC Pipe 75mm Ø 3.1-4.4mm wall thickness	75mm Astro X series Collar	30mm (W) x 8mm (T)
PVC Pipe 82mm Ø 3.1-4.4mm wall thickness	82mm Astro X series Collar	
PVC Pipe 90mm Ø 4.2-6.6mm wall thickness	90mm Astro X series Collar	30mm (W) x 10mm (T)
PVC Pipe 100mm Ø 4.2-6.6mm wall thickness	100mm Astro X series Collar	
PVC Pipe 110mm Ø 4.2-6.6mm wall thickness	110mm Astro X series Collar	
PVC Pipe 125mm Ø 6.0mm wall thickness	125mm Astro X series Collar	40mm (W) x 12mm (T)
PVC Pipe 140mm Ø 6.1-7.5mm wall thickness	140mm Astro X series Collar	
PVC Pipe 160mm Ø 6.2-9.5mm wall thickness	160mm Astro X series Collar	

Penetration Specification	Collar Reference	Intumescent Material
PP Pipe 32mm Ø 2.9mm wall thickness	32mm Astro X series Collar	30mm (W) x 4mm (T)
PP Pipe 40mm Ø 2.9mm wall thickness	40mm Astro X series Collar	
PP Pipe 50mm Ø 2.9mm wall thickness	50mm Astro X series Collar	
PP Pipe 55mm Ø 2.9-4.4mm wall thickness	55mm Astro X series Collar	30mm (W) x 6mm (T)
PP Pipe 63mm Ø 2.9-4.4mm wall thickness	63mm Astro X series Collar	
PP Pipe 75mm Ø 2.8-6.7mm wall thickness	75mm Astro X series Collar	30mm (W) x 8mm (T)
PP Pipe 82mm Ø 2.8-6.7mm wall thickness	82mm Astro X series Collar	
PP Pipe 90mm Ø 2.7-10.0mm wall thickness	90mm Astro X series Collar	30mm (W) x 10mm (T)
PP Pipe 100mm Ø 2.7-10.0mm wall thickness	100mm Astro X series Collar	
PP Pipe 110mm Ø 2.7-10.0mm wall thickness	110mm Astro X series Collar	
PP Pipe 125mm Ø 3.1mm wall thickness	125mm Astro X series Collar	40mm (W) x 12mm (T)
PP Pipe 140mm Ø 3.5-8.0mm wall thickness	140mm Astro X series Collar	
PP Pipe 160mm Ø 4.0-14.6mm wall thickness	160mm Astro X series Collar	

Penetration Specification	Collar Reference	Intumescent Material
PE Pipe 32mm Ø 2.9mm wall thickness	32mm Astro X series Collar	30mm (W) x 4mm (T)
PE Pipe 40mm Ø 2.9mm wall thickness	40mm Astro X series Collar	
PE Pipe 50mm Ø 2.9mm wall thickness	50mm Astro X series Collar	
PE Pipe 55mm Ø 2.9-4.4mm wall thickness	55mm Astro X series Collar	30mm (W) x 6mm (T)
PE Pipe 63mm Ø 2.9-4.4mm wall thickness	63mm Astro X series Collar	
PE Pipe 75mm Ø 2.8-6.7mm wall thickness	75mm Astro X series Collar	30mm (W) x 8mm (T)
PE Pipe 82mm Ø 2.8-6.7mm wall thickness	82mm Astro X series Collar	
PE Pipe 90mm Ø 2.7-10.0mm wall thickness	90mm Astro X series Collar	30mm (W) x 10mm (T)
PE Pipe 100mm Ø 2.7-10.0mm wall thickness	100mm Astro X series Collar	
PE Pipe 110mm Ø 2.7-10.0mm wall thickness	110mm Astro X series Collar	
PE Pipe 125mm Ø 3.1mm wall thickness	125mm Astro X series Collar	40mm (W) x 12mm (T)
PE Pipe 140mm Ø 3.9-5.8mm wall thickness	140mm Astro X series Collar	
PE Pipe 160mm Ø 4.9-9.5mm wall thickness	160mm Astro X series Collar	

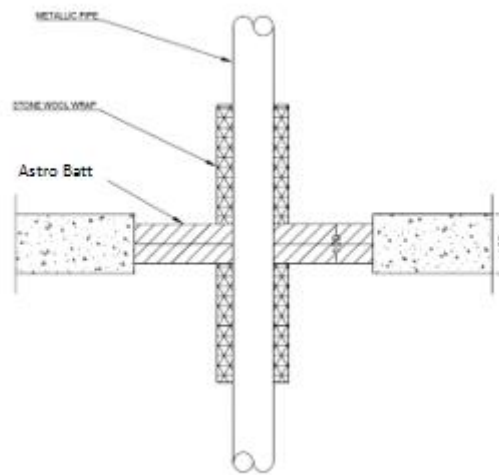
B43 Astro Batt and Coating Penetration Seal in Rigid Floors min. 150 mm thick

B43.1 Double Layer (50mm) Astro Batt and Coating Penetration Seal

B43.1.1 Metallic pipe penetrations

Construction details:

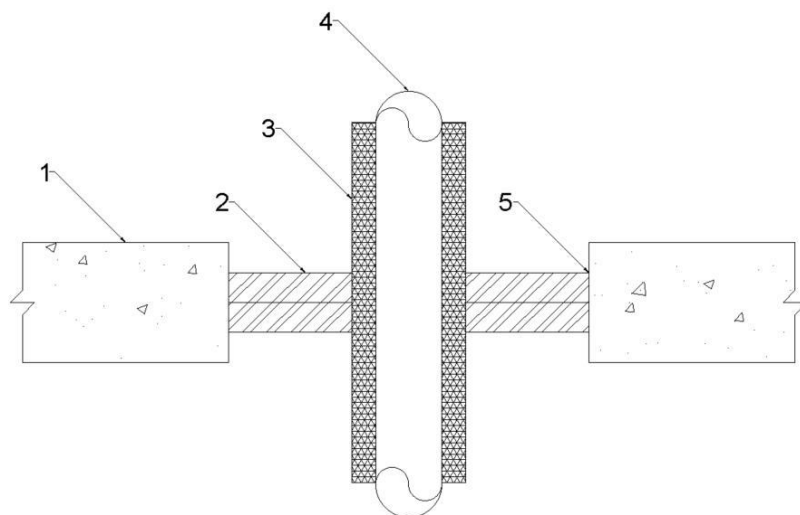
- Double layer of Astro Batt and Coating (50mm) installed internally within the wall.
- Max. Aperture size 700mm wide x 1100mm high
- Steel or Copper Pipe 42mm Ø, 1.2mm – 14.2mm wall thickness wrapped with 40mm stone wool insulation (min 40Kg/m³) (L/I 300mm)
- First service support 400mm from both faces of the substrate



Service(s)	Classification
Steel or Copper Pipe 42mm Ø, 1.2mm – 14.2mm wall thickness.	EI 120 C/U
Steel or Copper Pipe 42mm – 159mm Ø, 2mm – 14.2mm wall thickness.	E 120 C/U EI 30 C/U

Construction details:

- Double layer of Astro Batt and Coating (50mm) installed internally within the wall.
- Max. Aperture size 1100mm wide x 1500mm high
- Steel or Copper Pipe 42mm Ø, 1.2mm – 14.2mm wall thickness wrapped with 40mm stone wool insulation (min 40Kg/m³) (L/I 300mm)
- First service support 400mm from both faces of the substrate



Service(s)	Classification
Steel or Copper Pipe 42mm Ø, 1.2mm – 14.2mm wall thickness. (L/I 300mm) 40mm stone wool insulation (min 40Kg/m ³)	E 90 C/U EI 60 C/U
Steel or Copper Pipe 42mm Ø, 2mm – 14.2mm wall thickness. (L/I 300mm) 40mm stone wool insulation (min 40Kg/m ³)	E 90 C/U EI 30 C/U

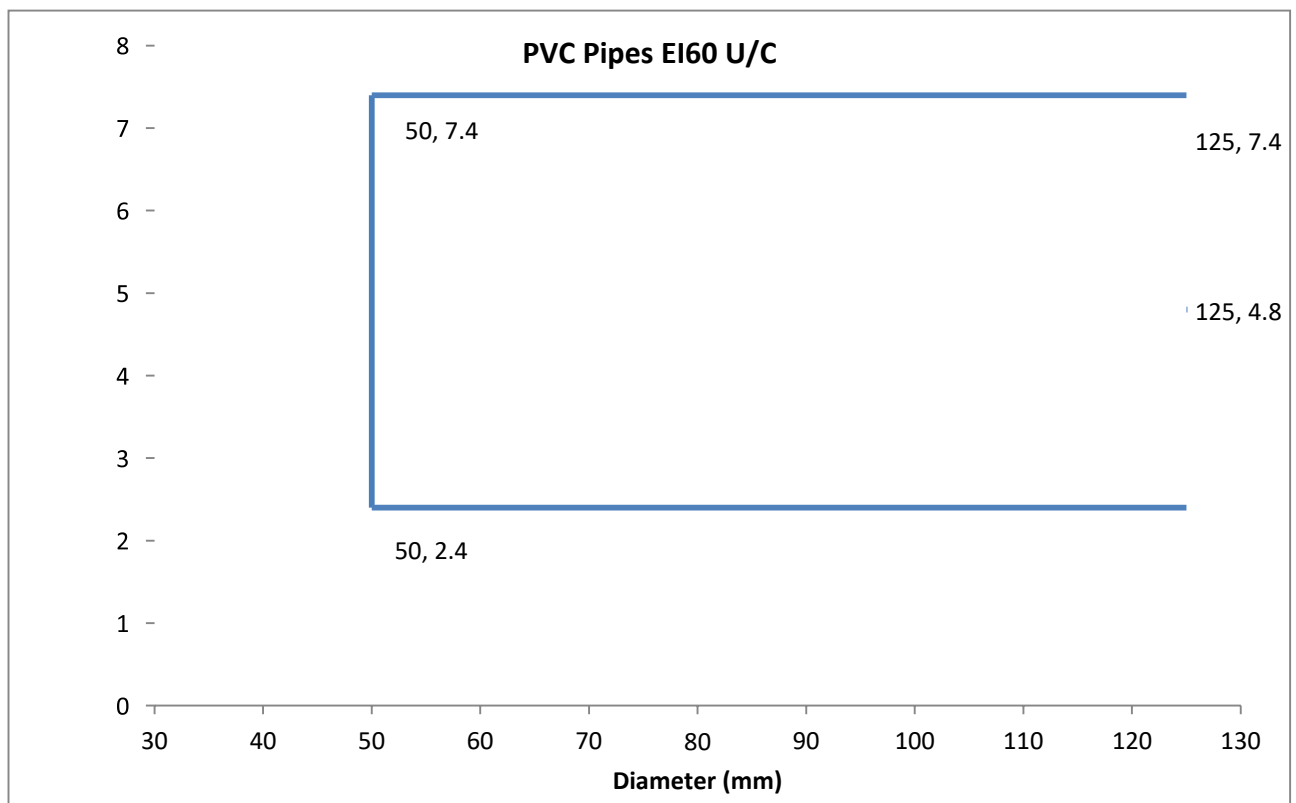
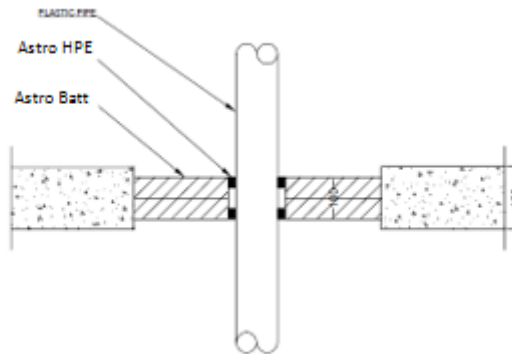
B44 Astro Batt and Coating Penetration Seal in Rigid Floors min. 150 mm thick

B44.1 Double Layer (50mm) Astro Batt and Coating Penetration Seal

B44.1.1 Plastic pipe penetrations

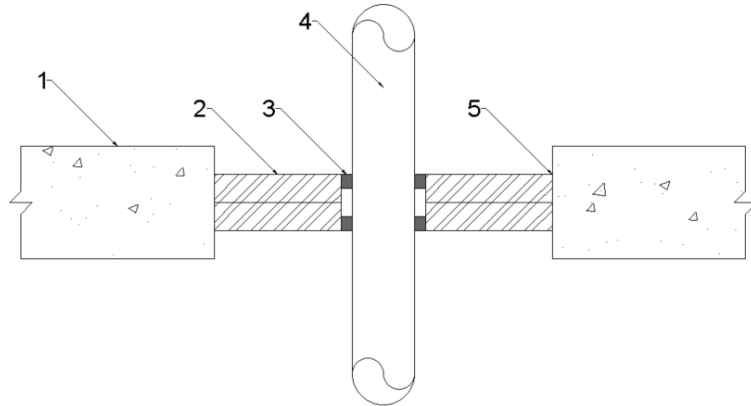
Construction details:

- Double layer of Astro Batt and Coating (50mm) installed internally within the floor.
- Max. Aperture size 750mm wide x 1100mm high
- Astro HPE Sealant 20mm annulus, 25mm deep both faces of the Astro Batt and Coating
- First service support 400mm from both faces of the substrate

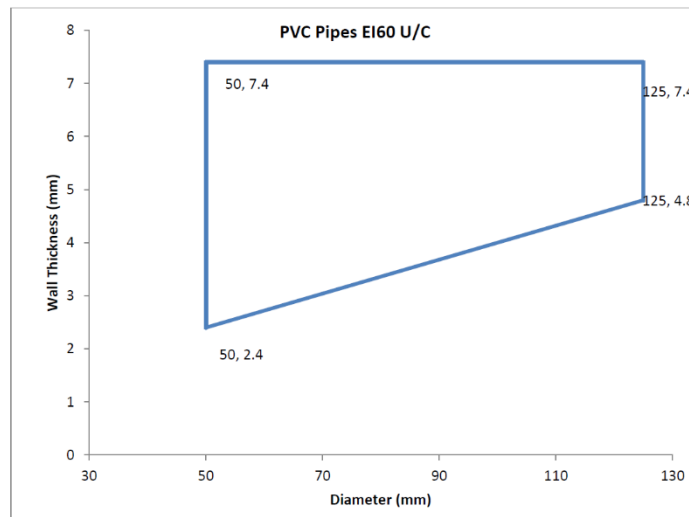


Construction details:

- Double layer of Astro Batt and Coating (50mm) installed internally within the floor.
- Max. Aperture size 1000mm wide x 1300mm high

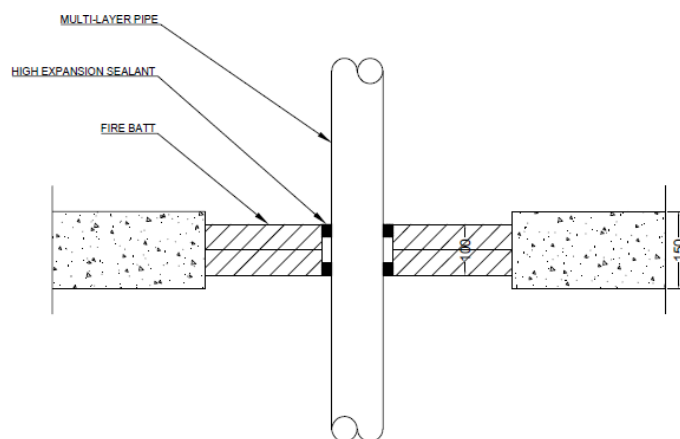


Service(s)	Astro HPE Sealant	Classification
Pipe diameters as below	20mm annulus, 25mm deep both faces of the Astro Batt and Coating	See graphs below



Construction details:

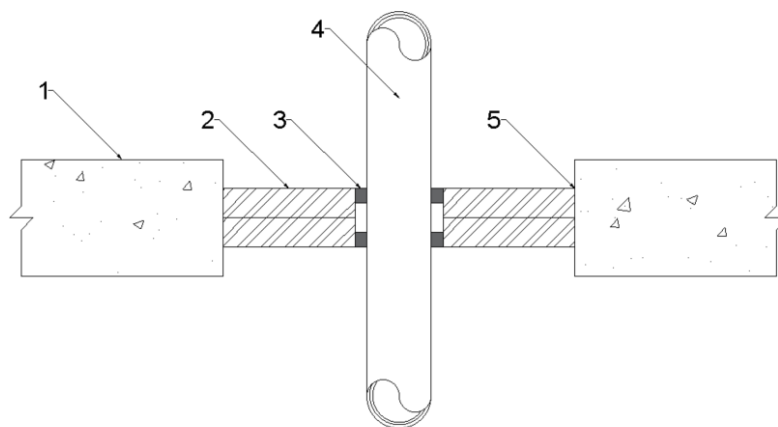
- Double layer of Astro Batt and Coating (50mm) installed internally within the floor.
- Max. Aperture size 750mm wide x 1100mm high
- Astro HPE Sealant 20mm annulus, 25mm deep both faces of the Astro Batt and Coating
- First service support 400mm from both faces of the substrate



Penetration Specification	Classification
Uponor MLC (Multi-Layer Composite) Pipe 40mm \varnothing 4mm wall thickness	EI 60 U/C
Uponor MLC (Multi-Layer Composite) Pipe 50mm \varnothing 4.5mm wall thickness	
Uponor MLC (Multi-Layer Composite) Pipe 63mm \varnothing 6mm wall thickness	
Uponor MLC (Multi-Layer Composite) Pipe 75mm \varnothing 7.5mm wall thickness	
Uponor MLC (Multi-Layer Composite) Pipe 90mm \varnothing 8.5mm wall thickness	
Uponor MLC (Multi-Layer Composite) Pipe 110mm \varnothing 10mm wall thickness	

Construction details:

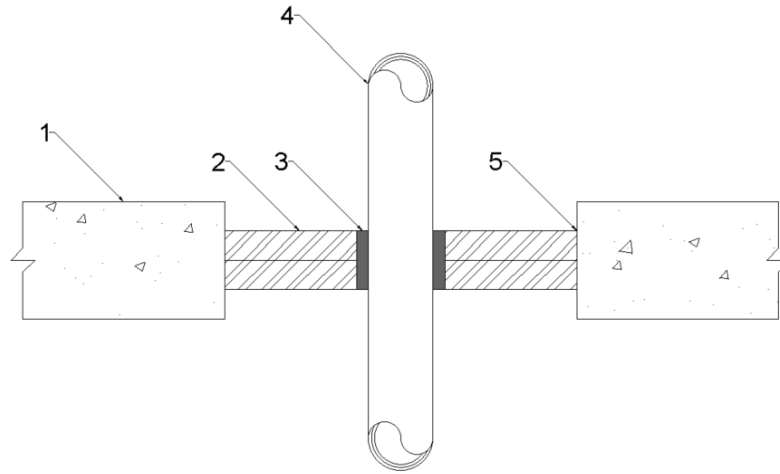
- Double layer of Astro Batt and Coating (50mm) installed internally within the floor.
- Max. Aperture size 1000mm wide x 1300mm high
- Astro HPE Sealant 20mm annulus, 50mm depth of the Astro Batt and Coating



Penetration Specification	Classification
Uponor MLC (Multi-Layer Composite) Pipe 40mm \varnothing 4mm wall thickness	EI 60 U/C
Uponor MLC (Multi-Layer Composite) Pipe 50mm \varnothing 4.5mm wall thickness	
Uponor MLC (Multi-Layer Composite) Pipe 63mm \varnothing 6mm wall thickness	
Uponor MLC (Multi-Layer Composite) Pipe 75mm \varnothing 7.5mm wall thickness	
Uponor MLC (Multi-Layer Composite) Pipe 90mm \varnothing 8.5mm wall thickness	
Uponor MLC (Multi-Layer Composite) Pipe 110mm \varnothing 10mm wall thickness	

Construction details:

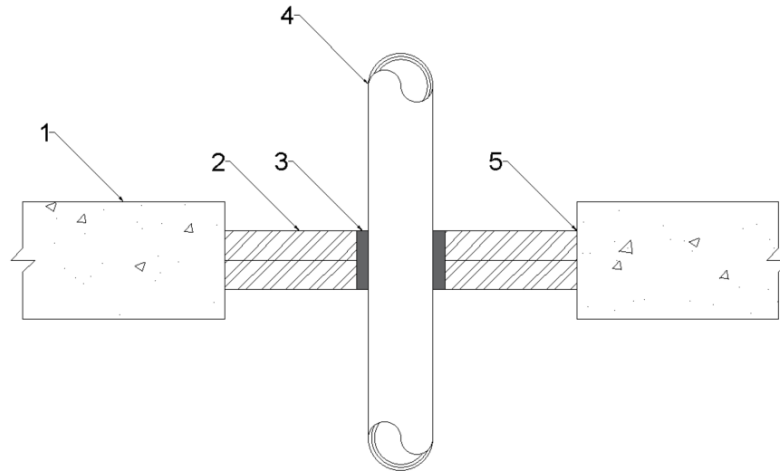
- Double layer of Astro Batt and Coating (50mm) installed internally within the floor.
- Max. Aperture size 750mm wide x 1100mm high
- Astro HPE Sealant 20mm annulus, 25mm deep both faces of the Astro Batt and Coating
- First service support 400mm from both faces of the substrate



Penetration Specification	Classification
Uponor MLC (Multi-Layer Composite) Pipe 40mm ø 4mm wall thickness	EI 60 U/C
Uponor MLC (Multi-Layer Composite) Pipe 50mm ø 4.5mm wall thickness	
Uponor MLC (Multi-Layer Composite) Pipe 63mm ø 6mm wall thickness	
Uponor MLC (Multi-Layer Composite) Pipe 75mm ø 7.5mm wall thickness	
Uponor MLC (Multi-Layer Composite) Pipe 90mm ø 8.5mm wall thickness	
Uponor MLC (Multi-Layer Composite) Pipe 110mm ø 10mm wall thickness	

Construction details:

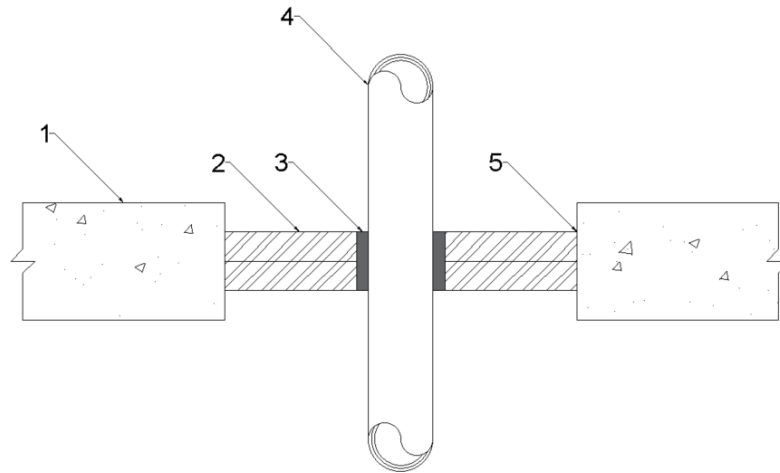
- Double layer of Astro Batt and Coating (50mm) installed internally within the floor.
- Max. Aperture size 1100mm wide x 1500mm high
- Astro HPE Sealant 20mm annulus, 25mm deep both faces of the Astro Batt and Coating
- First service support 400mm from both faces of the substrate



Penetration Specification	Classification
Uponor MLC (Multi-Layer Composite) Pipe 40mm ø 4mm wall thickness	EI 60 U/C
Uponor MLC (Multi-Layer Composite) Pipe 50mm ø 4.5mm wall thickness	
Uponor MLC (Multi-Layer Composite) Pipe 63mm ø 6mm wall thickness	
Uponor MLC (Multi-Layer Composite) Pipe 75mm ø 7.5mm wall thickness	
Uponor MLC (Multi-Layer Composite) Pipe 90mm ø 8.5mm wall thickness	
Uponor MLC (Multi-Layer Composite) Pipe 110mm ø 10mm wall thickness	

Construction details:

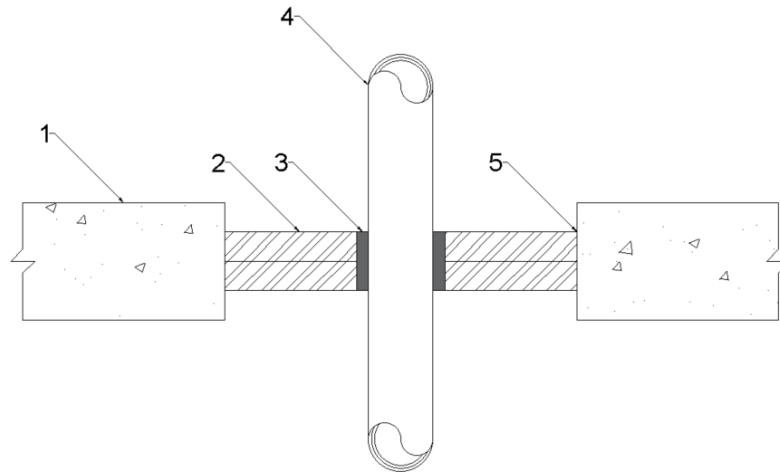
- Double layer of Astro Batt and Coating (50mm) installed internally within the floor.
- Max. Aperture size 350mm wide x 1000mm high
- Astro HPE Sealant 20mm annulus, 25mm deep both faces of the Astro Batt and Coating
- First service support 400mm from both faces of the substrate



Penetration Specification	Classification
PVC Pipe up to 125mm Ø, 4.8-7.4mm wall thickness.	EI 120 U/C
PVC Pipe up to 40mm Ø, 3.1-17.1mm wall thickness.	
PVC Pipe up to 125mm Ø, 11.4mm wall thickness.	
PVC Pipe up to 125mm Ø, 3.1-11.4mm wall thickness.	E120 U/C EI 90 U/C

Construction details:

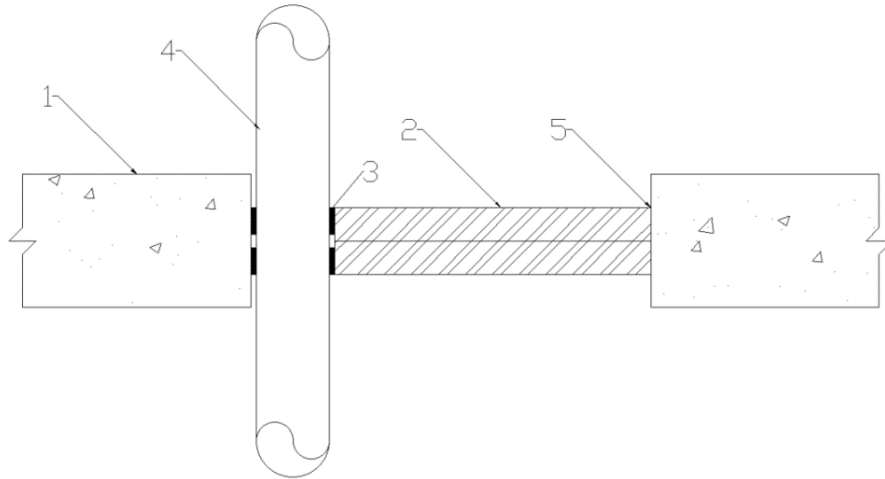
- Double layer of Astro Batt and Coating (50mm) installed internally within the floor.
- Max. Aperture size 110mm wide x 1500mm high
- Astro HPE Sealant 20mm annulus, 25mm deep both faces of the Astro Batt and Coating
- First service support 400mm from both faces of the substrate



Penetration Specification	Classification
PVC Pipe up to 125mm Ø, 4.8-7.4mm wall thickness.	EI 60 U/C
PVC Pipe up to 40mm Ø, 3.1-17.1mm wall thickness.	
PVC Pipe up to 125mm Ø, 11.4mm wall thickness.	
PVC Pipe up to 125mm Ø, 3.1-11.4mm wall thickness.	

Construction details:

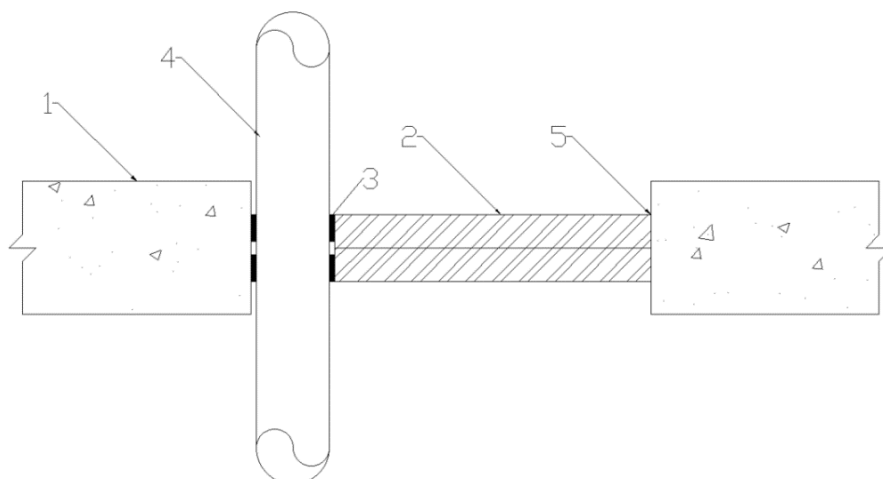
- Double layer of Astro Batt and Coating (50mm) installed internally within the floor.
- Max. Aperture size 350mm wide x 1000mm high
- Astro X series CE pipe Wrap UL / Astro X series CE pipe Wrap secured internally within both faces of the Astro Batt and Coating



Penetration Specification	Astro X series CE pipe Wrap UL/ Astro X series CE pipe Wrap Ref	Classification
PVC Pipe up to 125mm Ø, 4.8-7.4mm wall thickness.	2 mm thickness	EI 120 U/C
PVC Pipe up to 40mm Ø, 3.1-17.1mm wall thickness.	2 mm thickness	
PVC Pipe up to 125mm Ø, 11.4mm wall thickness.	2 mm thickness	
PVC Pipe up to 125mm Ø, 3.1-11.4mm wall thickness.	2 mm thickness	E 120 U/C EI 90 U/C

Construction details:

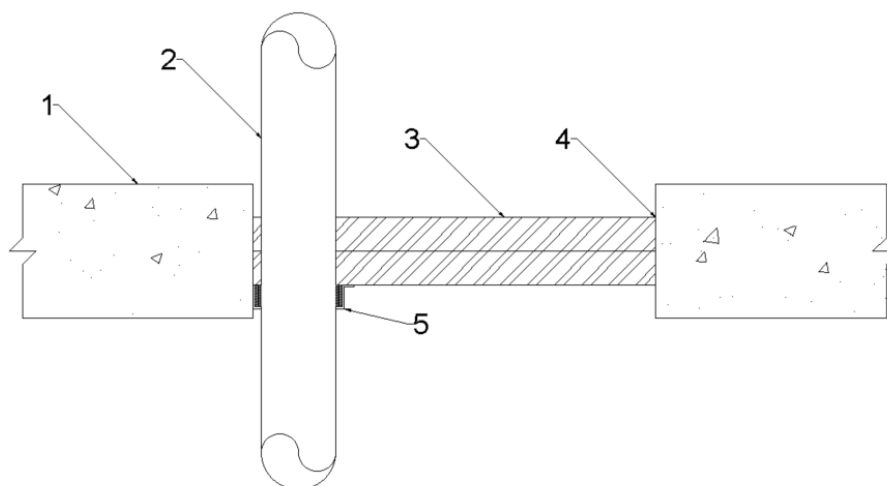
- Double layer of Astro Batt and Coating (50mm) installed internally within the floor.
- Max. Aperture 1100 mm Wide x 1500 mm Long
- Astro X series CE pipe Wrap UL / Astro X series CE pipe Wrap secured internally within both faces of the Astro Batt and Coating



Penetration Specification	Astro X series CE pipe Wrap UL/ Astro X series CE pipe Wrap Ref	Classification
PVC Pipe up to 125mm Ø, 4.8-7.4mm wall thickness.	2 mm thickness	EI 60 U/C
PVC Pipe up to 40mm Ø, 3.1-17.1mm wall thickness.	2 mm thickness	
PVC Pipe up to 125mm Ø, 11.4mm wall thickness.	2 mm thickness	
PVC Pipe up to 125mm Ø, 3.1-11.4mm wall thickness.	2 mm thickness	

Construction details:

- Double layer of Astro Batt and Coating (50mm) installed internally within the floor.
- Max. Aperture size 350mm wide x 1000mm high
- Astro X series CE pipe Collar Fixed to the underside of the Astro Batt and Coating utilizing steel pig tail fixings



Penetration Specification	Astro X series CE pipe Collar	Classification
Pipe diameters as below Zero distance	Fixed to the underside of the Astro Batt and Coating utilizing steel pig tail fixings	EI 120 U/C

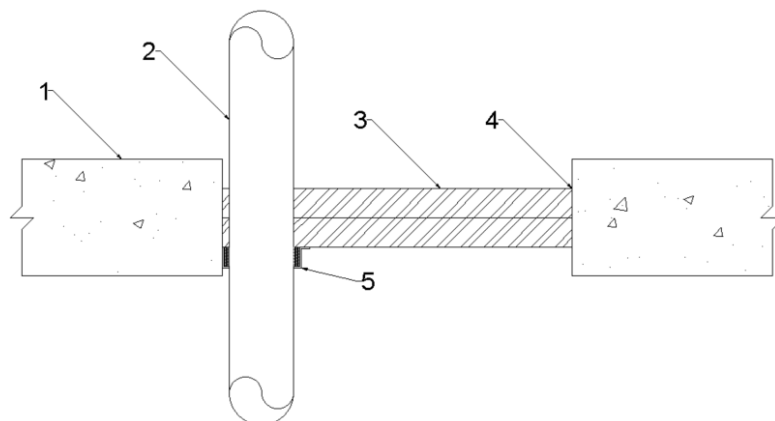
Penetration Specification	Collar Reference	Intumescent Material
PVC Pipe 32mm Ø 1.8mm wall thickness	32mm Astro X series Collar	30mm (W) x 4mm (T)
PVC Pipe 40mm Ø 1.8mm wall thickness	40mm Astro X series Collar	
PVC Pipe 50mm Ø 1.8mm wall thickness	50mm Astro X series Collar	
PVC Pipe 55mm Ø 2.3-2.8mm wall thickness	55mm Astro X series Collar	30mm (W) x 6mm (T)
PVC Pipe 63mm Ø 2.3-2.8mm wall thickness	63mm Astro X series Collar	
PVC Pipe 75mm Ø 3.1-4.4mm wall thickness	75mm Astro X series Collar	30mm (W) x 8mm (T)
PVC Pipe 82mm Ø 3.1-4.4mm wall thickness	82mm Astro X series Collar	
PVC Pipe 90mm Ø 4.2-6.6mm wall thickness	90mm Astro X series Collar	30mm (W) x 10mm (T)
PVC Pipe 100mm Ø 4.2-6.6mm wall thickness	100mm Astro X series Collar	
PVC Pipe 110mm Ø 4.2-6.6mm wall thickness	110mm Astro X series Collar	
PVC Pipe 125mm Ø 6.0mm wall thickness	125mm Astro X series Collar	40mm (W) x 12mm (T)
PVC Pipe 140mm Ø 6.1-7.5mm wall thickness	140mm Astro X series Collar	
PVC Pipe 160mm Ø 6.2-9.5mm wall thickness	160mm Astro X series Collar	

Penetration Specification	Collar Reference	Intumescent Material
PP Pipe 32mm Ø 2.9mm wall thickness	32mm Astro X series Collar	30mm (W) x 4mm (T)
PP Pipe 40mm Ø 2.9mm wall thickness	40mm Astro X series Collar	
PP Pipe 50mm Ø 2.9mm wall thickness	50mm Astro X series Collar	
PP Pipe 55mm Ø 2.9-4.4mm wall thickness	55mm Astro X series Collar	30mm (W) x 6mm (T)
PP Pipe 63mm Ø 2.9-4.4mm wall thickness	63mm Astro X series Collar	
PP Pipe 75mm Ø 2.8-6.7mm wall thickness	75mm Astro X series Collar	30mm (W) x 8mm (T)
PP Pipe 82mm Ø 2.8-6.7mm wall thickness	82mm Astro X series Collar	
PP Pipe 90mm Ø 2.7-10.0mm wall thickness	90mm Astro X series Collar	30mm (W) x 10mm (T)
PP Pipe 100mm Ø 2.7-10.0mm wall thickness	100mm Astro X series Collar	
PP Pipe 110mm Ø 2.7-10.0mm wall thickness	110mm Astro X series Collar	
PP Pipe 125mm Ø 3.1mm wall thickness	125mm Astro X series Collar	40mm (W) x 12mm (T)
PP Pipe 140mm Ø 3.5-8.0mm wall thickness	140mm Astro X series Collar	
PP Pipe 160mm Ø 4.0-14.6mm wall thickness	160mm Astro X series Collar	

Penetration Specification	Collar Reference	Intumescent Material
PE Pipe 32mm Ø 2.9mm wall thickness	32mm Astro X series Collar	30mm (W) x 4mm (T)
PE Pipe 40mm Ø 2.9mm wall thickness	40mm Astro X series Collar	
PE Pipe 50mm Ø 2.9mm wall thickness	50mm Astro X series Collar	
PE Pipe 55mm Ø 2.9-4.4mm wall thickness	55mm Astro X series Collar	30mm (W) x 6mm (T)
PE Pipe 63mm Ø 2.9-4.4mm wall thickness	63mm Astro X series Collar	
PE Pipe 75mm Ø 2.8-6.7mm wall thickness	75mm Astro X series Collar	30mm (W) x 8mm (T)
PE Pipe 82mm Ø 2.8-6.7mm wall thickness	82mm Astro X series Collar	
PE Pipe 90mm Ø 2.7-10.0mm wall thickness	90mm Astro X series Collar	30mm (W) x 10mm (T)
PE Pipe 100mm Ø 2.7-10.0mm wall thickness	100mm Astro X series Collar	
PE Pipe 110mm Ø 2.7-10.0mm wall thickness	110mm Astro X series Collar	
PE Pipe 125mm Ø 3.1mm wall thickness	125mm Astro X series Collar	40mm (W) x 12mm (T)
PE Pipe 140mm Ø 3.9-5.8mm wall thickness	140mm Astro X series Collar	
PE Pipe 160mm Ø 4.9-9.5mm wall thickness	160mm Astro X series Collar	

Construction details:

- Double layer of Astro Batt and Coating (50mm) installed internally within the floor.
- Max. Aperture size 1000mm wide x 1300mm high
- Astro X series CE pipe Collar Fixed to the underside of the Astro Batt and Coating utilizing steel pig tail fixings



Penetration Specification	Astro X series CE pipe Collar	Classification
Pipe diameters as below Zero distance	Fixed to the underside of the Astro Batt and Coating utilizing steel pig tail fixings	EI 60 U/C

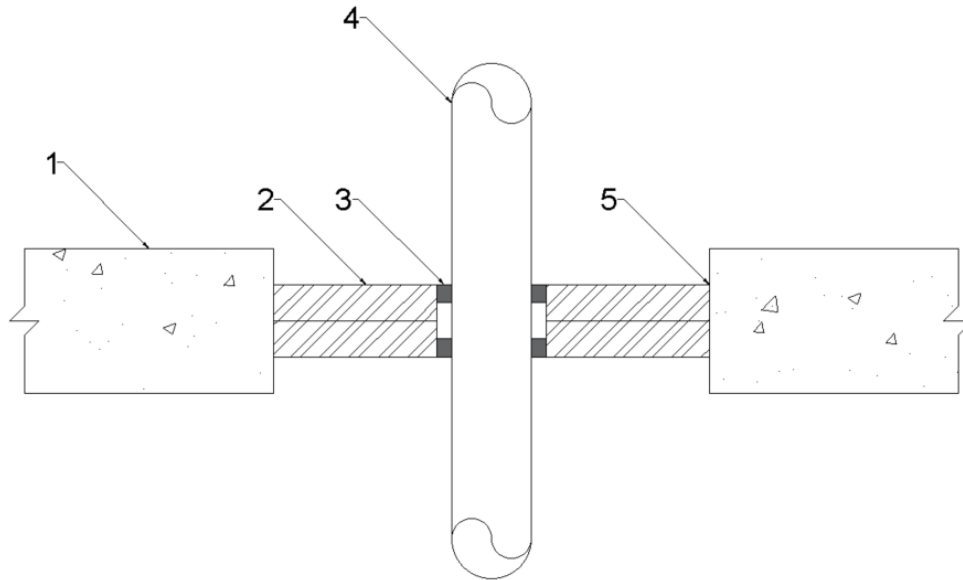
Penetration Specification	Collar Reference	Intumescent Material
PVC Pipe 32mm Ø 1.8mm wall thickness	32mm Astro X series Collar	30mm (W) x 4mm (T)
PVC Pipe 40mm Ø 1.8mm wall thickness	40mm Astro X series Collar	
PVC Pipe 50mm Ø 1.8mm wall thickness	50mm Astro X series Collar	
PVC Pipe 55mm Ø 2.3-2.8mm wall thickness	55mm Astro X series Collar	30mm (W) x 6mm (T)
PVC Pipe 63mm Ø 2.3-2.8mm wall thickness	63mm Astro X series Collar	
PVC Pipe 75mm Ø 3.1-4.4mm wall thickness	75mm Astro X series Collar	30mm (W) x 8mm (T)
PVC Pipe 82mm Ø 3.1-4.4mm wall thickness	82mm Astro X series Collar	
PVC Pipe 90mm Ø 4.2-6.6mm wall thickness	90mm Astro X series Collar	30mm (W) x 10mm (T)
PVC Pipe 100mm Ø 4.2-6.6mm wall thickness	100mm Astro X series Collar	
PVC Pipe 110mm Ø 4.2-6.6mm wall thickness	110mm Astro X series Collar	
PVC Pipe 125mm Ø 6.0mm wall thickness	125mm Astro X series Collar	40mm (W) x 12mm (T)
PVC Pipe 140mm Ø 6.1-7.5mm wall thickness	140mm Astro X series Collar	
PVC Pipe 160mm Ø 6.2-9.5mm wall thickness	160mm Astro X series Collar	

Penetration Specification	Collar Reference	Intumescent Material
PP Pipe 32mm Ø 2.9mm wall thickness	32mm Astro X series Collar	30mm (W) x 4mm (T)
PP Pipe 40mm Ø 2.9mm wall thickness	40mm Astro X series Collar	
PP Pipe 50mm Ø 2.9mm wall thickness	50mm Astro X series Collar	
PP Pipe 55mm Ø 2.9-4.4mm wall thickness	55mm Astro X series Collar	30mm (W) x 6mm (T)
PP Pipe 63mm Ø 2.9-4.4mm wall thickness	63mm Astro X series Collar	
PP Pipe 75mm Ø 2.8-6.7mm wall thickness	75mm Astro X series Collar	30mm (W) x 8mm (T)
PP Pipe 82mm Ø 2.8-6.7mm wall thickness	82mm Astro X series Collar	
PP Pipe 90mm Ø 2.7-10.0mm wall thickness	90mm Astro X series Collar	30mm (W) x 10mm (T)
PP Pipe 100mm Ø 2.7-10.0mm wall thickness	100mm Astro X series Collar	
PP Pipe 110mm Ø 2.7-10.0mm wall thickness	110mm Astro X series Collar	
PP Pipe 125mm Ø 3.1mm wall thickness	125mm Astro X series Collar	40mm (W) x 12mm (T)
PP Pipe 140mm Ø 3.5-8.0mm wall thickness	140mm Astro X series Collar	
PP Pipe 160mm Ø 4.0-14.6mm wall thickness	160mm Astro X series Collar	

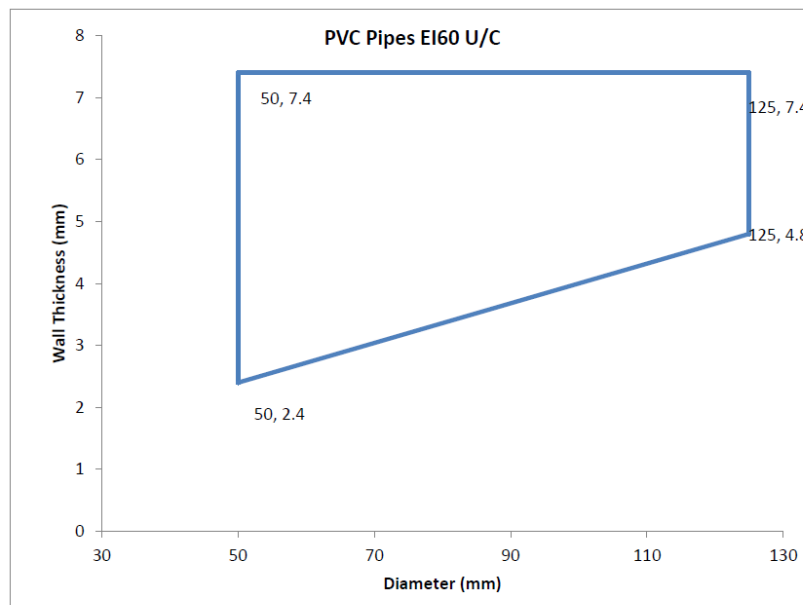
Penetration Specification	Collar Reference	Intumescent Material
PE Pipe 32mm Ø 2.9mm wall thickness	32mm Astro X series Collar	30mm (W) x 4mm (T)
PE Pipe 40mm Ø 2.9mm wall thickness	40mm Astro X series Collar	
PE Pipe 50mm Ø 2.9mm wall thickness	50mm Astro X series Collar	
PE Pipe 55mm Ø 2.9-4.4mm wall thickness	55mm Astro X series Collar	30mm (W) x 6mm (T)
PE Pipe 63mm Ø 2.9-4.4mm wall thickness	63mm Astro X series Collar	
PE Pipe 75mm Ø 2.8-6.7mm wall thickness	75mm Astro X series Collar	30mm (W) x 8mm (T)
PE Pipe 82mm Ø 2.8-6.7mm wall thickness	82mm Astro X series Collar	
PE Pipe 90mm Ø 2.7-10.0mm wall thickness	90mm Astro X series Collar	30mm (W) x 10mm (T)
PE Pipe 100mm Ø 2.7-10.0mm wall thickness	100mm Astro X series Collar	
PE Pipe 110mm Ø 2.7-10.0mm wall thickness	110mm Astro X series Collar	
PE Pipe 125mm Ø 3.1mm wall thickness	125mm Astro X series Collar	40mm (W) x 12mm (T)
PE Pipe 140mm Ø 3.9-5.8mm wall thickness	140mm Astro X series Collar	
PE Pipe 160mm Ø 4.9-9.5mm wall thickness	160mm Astro X series Collar	

Construction details:

- Double layer of Astro Batt and Coating (50mm) installed internally within the wall.
- Max. Aperture size 750mm wide x 1100mm high
- First service support 400mm from both faces of the substrate

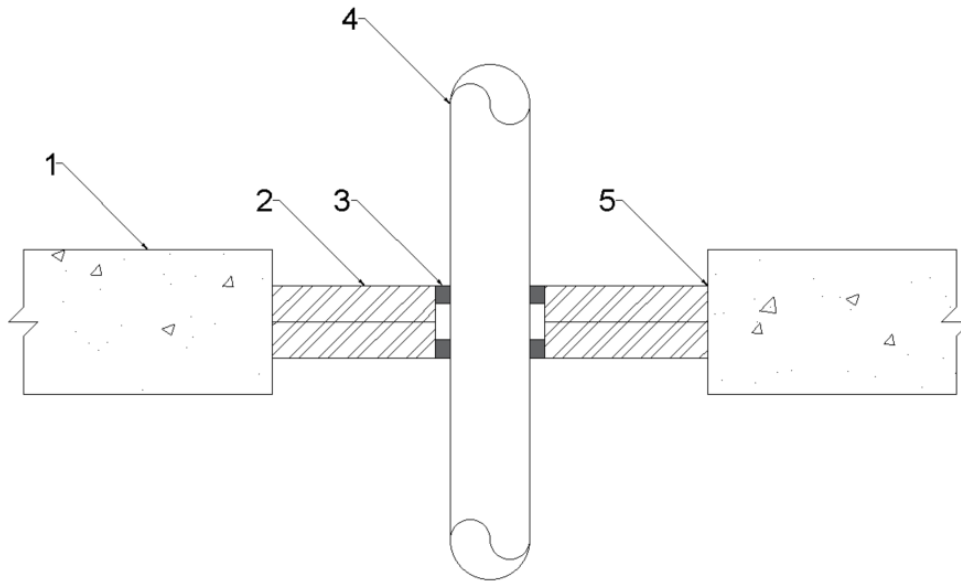


Service(s)	Astro HPE Sealant	Classification
Pipe diameters as below	20mm annulus, 25mm deep both faces of the Astro Batt and Coating	See graphs below



Construction details:

- Double layer of Astro Batt and Coating (50mm) installed internally within the wall.
- Max. Aperture size 1000mm wide x 1500mm high
- First service support 400mm from both faces of the substrate



Service(s)	Astro HPE Sealant	Classification
Pipe diameters as below	20mm annulus, 25mm deep both faces of the Astro Batt and Coating	See graphs below

